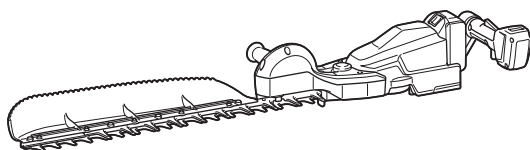




EN	Cordless Hedge Trimmer	INSTRUCTION MANUAL	8
SL	Brezžični rezalnik za živo mejo	NAVODILA ZA UPORABO	17
SQ	Prerës shkurresh me bateri	MANUALI I PËRDORIMIT	26
BG	Акумулаторен хресторез	РЪКОВОДСТВО ЗА ЕКСПЛОАТАЦИЯ	35
HR	Bežični trimer za živicu	PRIRUČNIK S UPUTAMA	46
MK	Безжична фреза за жива ограда	УПАТСТВО ЗА УПОТРЕБА	55
SR	Бежични тример за живу ограду	УПУТСТВО ЗА УПОТРЕБУ	65
RO	Mașină de tuns gardul viu fără cablu	MANUAL DE INSTRUCȚIUNI	75
UK	Акумуляторна пила для підрізання живоплоту	ІНСТРУКЦІЯ З ЕКСПЛУАТАЦІЇ	85
RU	Аккумуляторный Кусторез	РУКОВОДСТВО ПО ЭКСПЛУАТАЦИИ	96

DUH604S
DUH754S



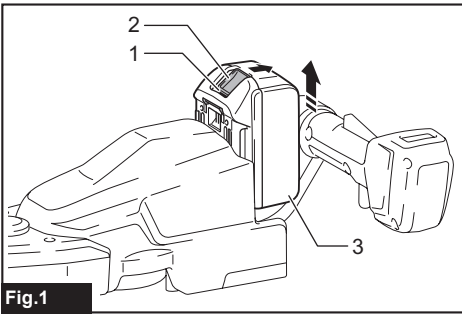


Fig.1

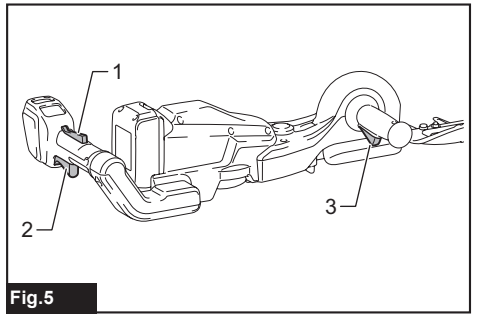


Fig.5

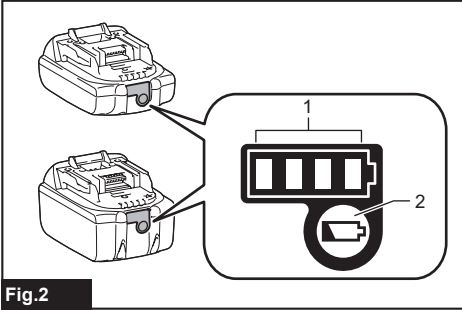


Fig.2

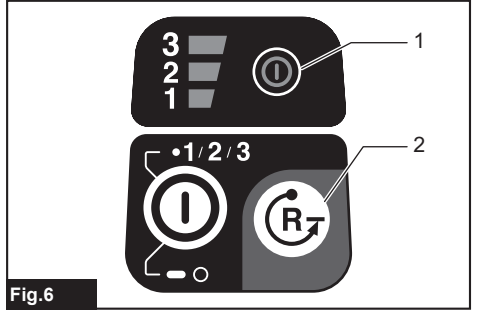


Fig.6

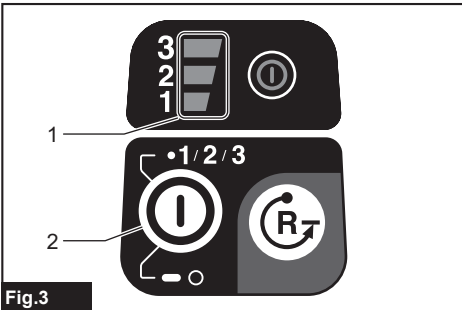


Fig.3

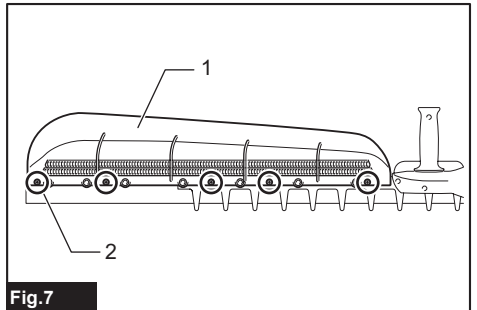


Fig.7

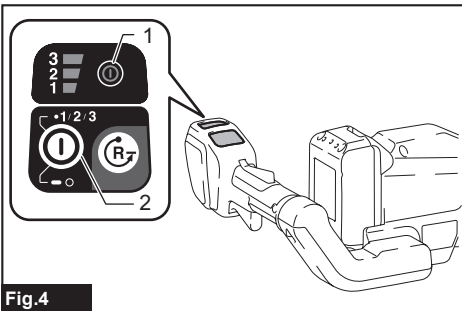


Fig.4

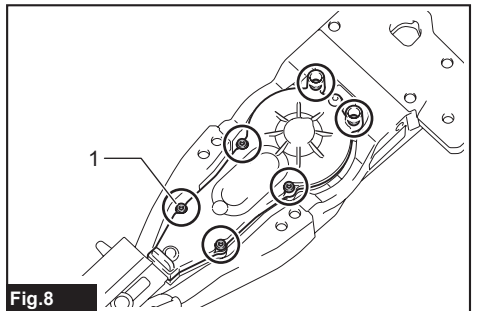


Fig.8

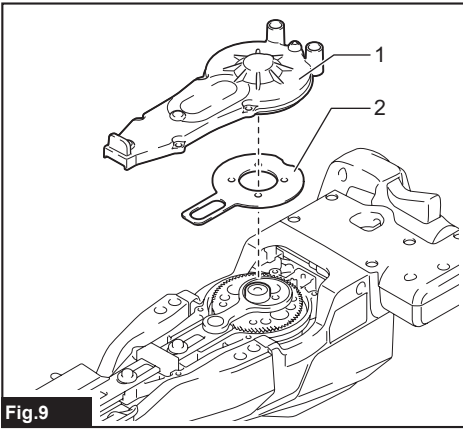


Fig.9

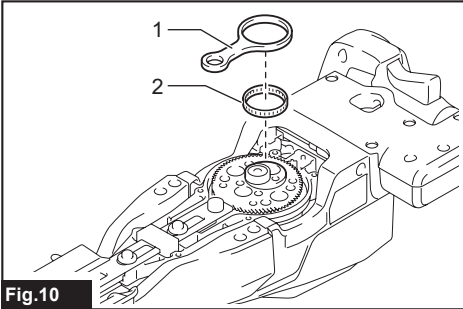


Fig.10

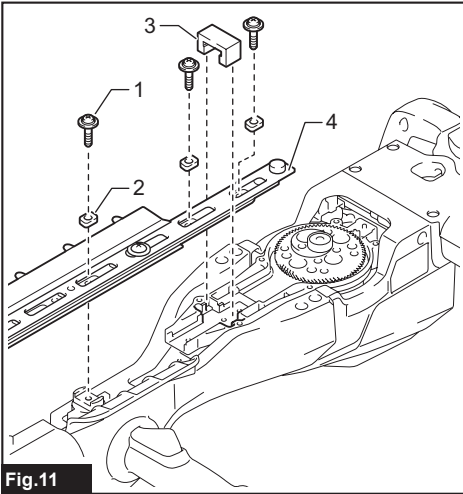


Fig.11

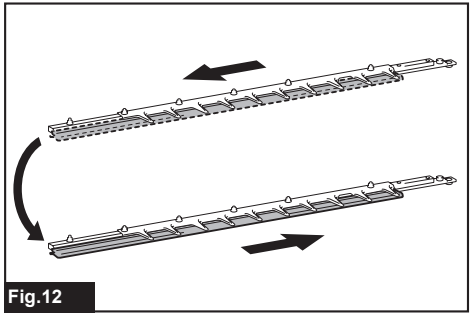


Fig.12

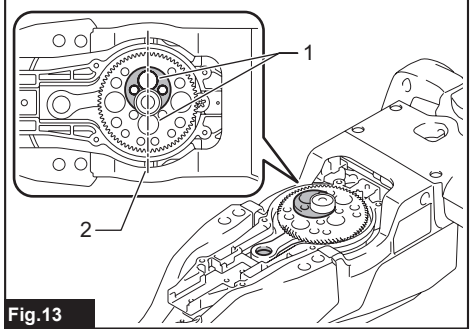


Fig.13

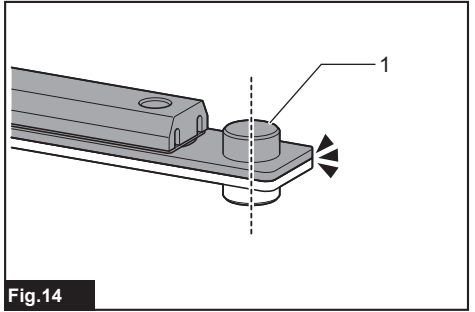


Fig.14

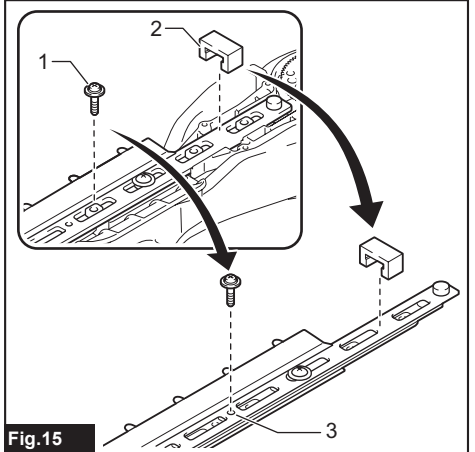
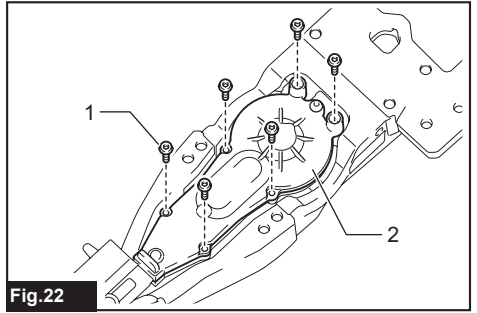
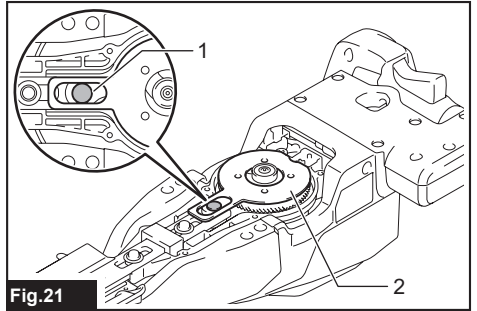
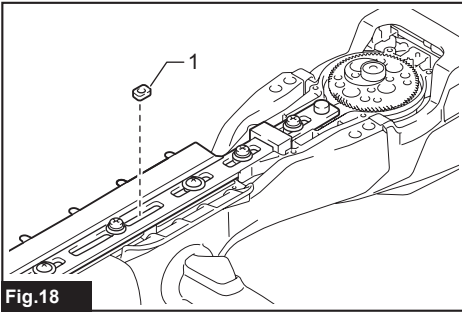
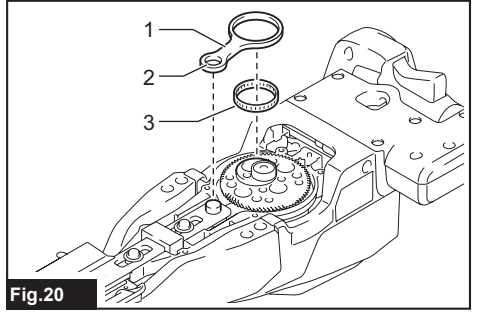
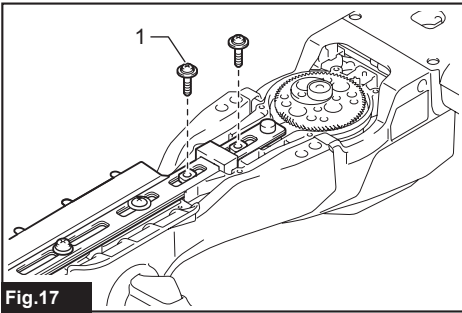
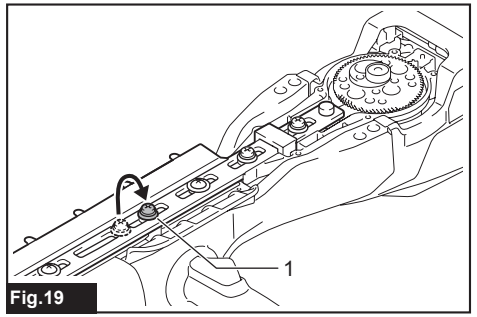
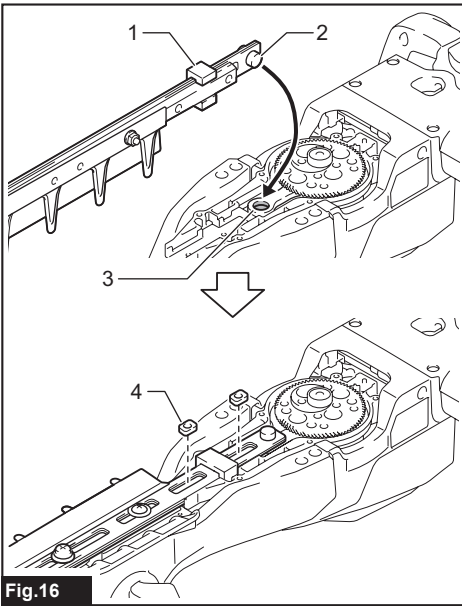


Fig.15



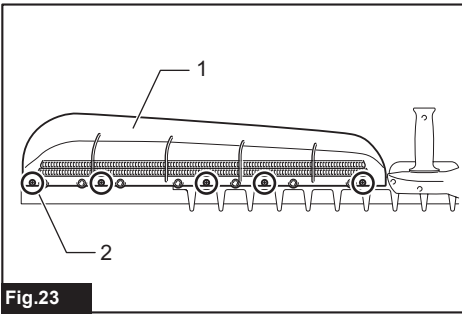


Fig.23

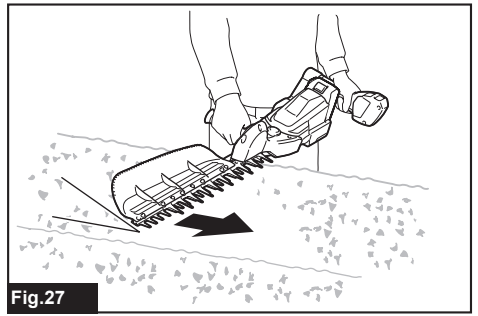


Fig.27

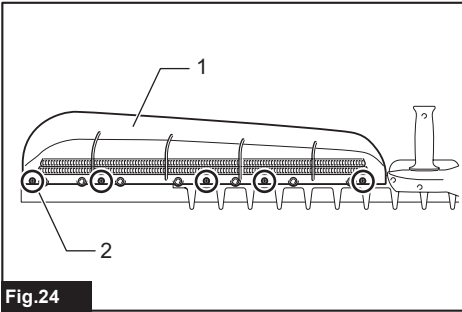


Fig.24

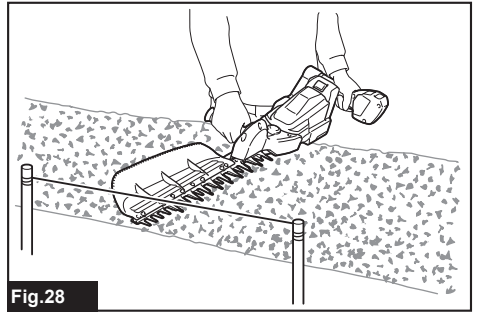


Fig.28

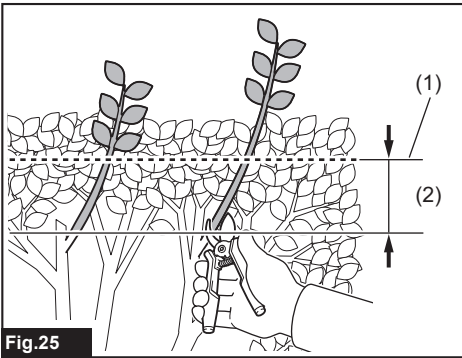


Fig.25

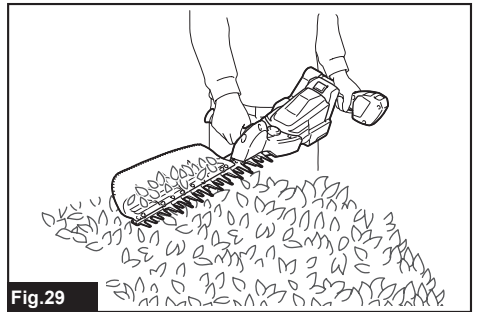


Fig.29

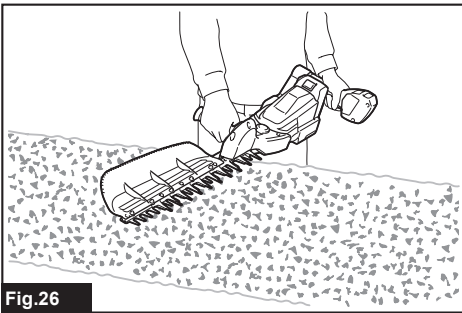


Fig.26

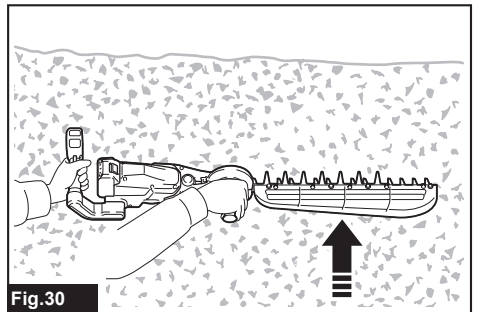


Fig.30

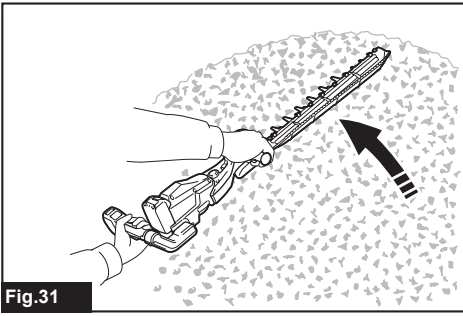


Fig.31

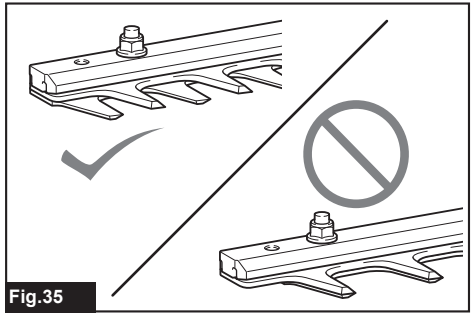


Fig.35

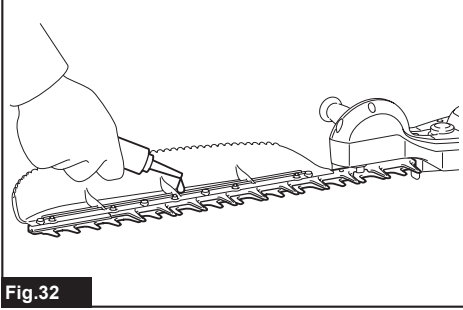


Fig.32

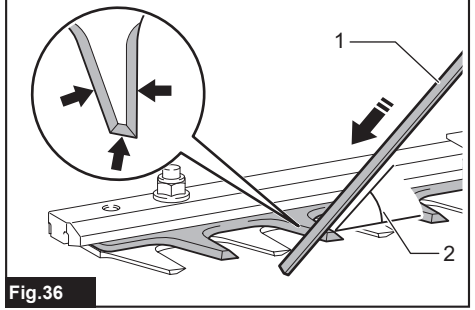


Fig.36

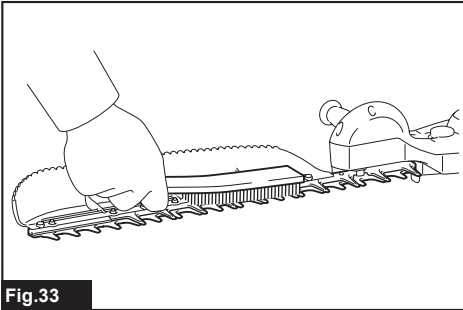


Fig.33

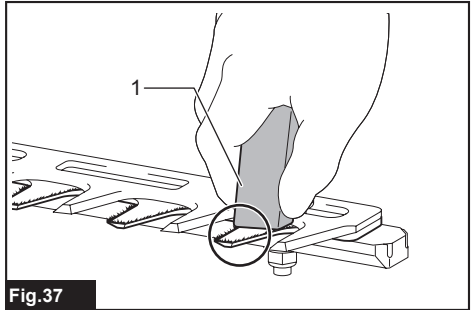


Fig.37

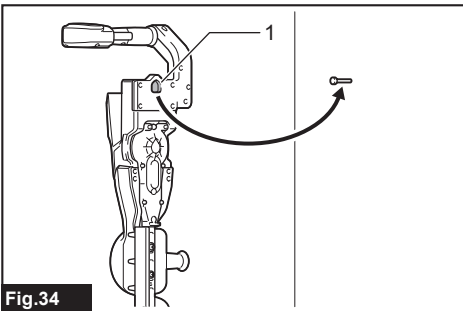


Fig.34

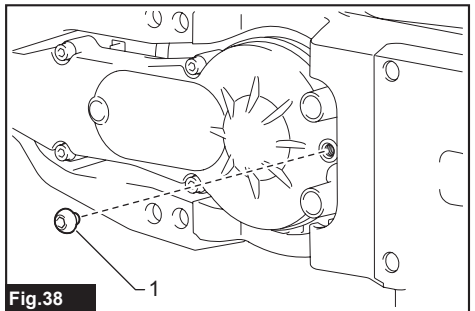


Fig.38

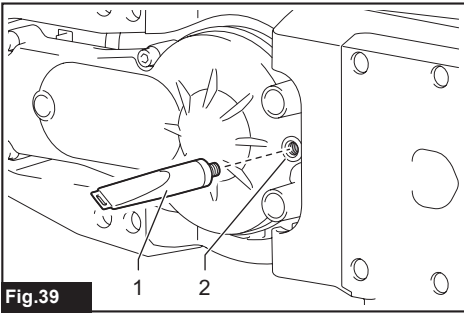


Fig.39

SPECIFICATIONS

Model:	DUH604S	DUH754S
Blade length	600 mm	750 mm
Strokes per minute	2,000 / 3,600 / 4,400 min ⁻¹	
Overall length	1,061 mm	1,200 mm
Rated voltage	D.C. 18 V	
Net weight	3.4 - 3.9 kg	

- Due to our continuing program of research and development, the specifications herein are subject to change without notice.
- Specifications may differ from country to country.
- The weight may differ depending on the attachment(s), including the battery cartridge. The lightest and heaviest combination, according to EPTA-Procedure 01/2014, are shown in the table.

Applicable battery cartridge and charger

Battery cartridge	BL1815N / BL1820 / BL1820B / BL1830 / BL1830B / BL1840 / BL1840B / BL1850 / BL1850B / BL1860B
Charger	DC18RC / DC18RD / DC18RE / DC18SD / DC18SE / DC18SF / DC18SH

- Some of the battery cartridges and chargers listed above may not be available depending on your region of residence.

⚠ WARNING: Only use the battery cartridges and chargers listed above. Use of any other battery cartridges and chargers may cause injury and/or fire.

Recommended battery adapter

Battery adapter	PDC01
-----------------	-------

- The battery adapter(s) listed above may not be available depending on your region of residence.
- Before using the battery adapter, read instruction and cautionary markings on the battery adapter.

Symbols

The followings show the symbols which may be used for the equipment. Be sure that you understand their meaning before use.



Read instruction manual.



Do not expose to moisture.



Beware of pinching.



Wear safety glasses.



Ni-MH
Li-ion

Only for EU countries
Do not dispose of electric equipment or battery pack together with household waste material! In observance of the European Directives, on Waste Electric and Electronic Equipment and Batteries and Accumulators and Waste Batteries and Accumulators and their implementation in accordance with national laws, electric equipment and batteries and battery pack(s) that have reached the end of their life must be collected separately and returned to an environmentally compatible recycling facility.

Intended use

The tool is intended for trimming hedges.

Noise

The typical A-weighted noise level determined according to EN62841-4-2:

Model DUH604S

Sound pressure level (L_{pA}) : 79.3 dB(A)

Sound power level (L_{WA}) : 90.3 dB (A)

Uncertainty (K) : 3 dB(A)

Model DUH754S

Sound pressure level (L_{pA}) : 80.6 dB(A)

Sound power level (L_{WA}) : 91.6 dB (A)

Uncertainty (K) : 3 dB(A)

The noise level under working may exceed 80 dB (A).

NOTE: The declared noise emission value(s) has been measured in accordance with a standard test method and may be used for comparing one tool with another.

NOTE: The declared noise emission value(s) may also be used in a preliminary assessment of exposure.

⚠ WARNING: Wear ear protection.

⚠ WARNING: The noise emission during actual use of the power tool can differ from the declared value(s) depending on the ways in which the tool is used especially what kind of workpiece is processed.

⚠ WARNING: Be sure to identify safety measures to protect the operator that are based on an estimation of exposure in the actual conditions of use (taking account of all parts of the operating cycle such as the times when the tool is switched off and when it is running idle in addition to the trigger time).

Vibration

The vibration total value (tri-axial vector sum) determined according to EN62841-4-2:

Model DUH604S

Vibration emission (a_n): 2.5 m/s² or less
Uncertainty (K): 1.5 m/s²

Model DUH754S

Vibration emission (a_n): 2.5 m/s² or less
Uncertainty (K): 1.5 m/s²

NOTE: The declared vibration total value(s) has been measured in accordance with a standard test method and may be used for comparing one tool with another.

NOTE: The declared vibration total value(s) may also be used in a preliminary assessment of exposure.

⚠ WARNING: The vibration emission during actual use of the power tool can differ from the declared value(s) depending on the ways in which the tool is used especially what kind of workpiece is processed.

⚠ WARNING: Be sure to identify safety measures to protect the operator that are based on an estimation of exposure in the actual conditions of use (taking account of all parts of the operating cycle such as the times when the tool is switched off and when it is running idle in addition to the trigger time).

EC Declaration of Conformity

For European countries only

The EC declaration of conformity is included as Annex A to this instruction manual.

SAFETY WARNINGS

General power tool safety warnings

⚠ WARNING: Read all safety warnings, instructions, illustrations and specifications provided with this power tool. Failure to follow all instructions listed below may result in electric shock, fire and/or serious injury.

Save all warnings and instructions for future reference.

The term "power tool" in the warnings refers to your mains-operated (corded) power tool or battery-operated (cordless) power tool.

Cordless Hedge Trimmer Safety Warnings

1. **Keep all parts of the body away from the blade. Do not remove cut material or hold material to be cut when blades are moving.** Blades continue to move after the switch is turned off. A moment of inattention while operating the hedge trimmer may result in serious personal injury.
2. **Carry the hedge trimmer by the handle with the blade stopped and taking care not to operate any power switch.** Proper carrying of the hedge trimmer will decrease the risk of inadvertent starting and resultant personal injury from the blades.
3. **When transporting or storing the hedge trimmer, always fit the blade cover.** Proper handling of the hedge trimmer will decrease the risk of personal injury from the blades.
4. **When clearing jammed material or servicing the unit, make sure all power switches are off and the battery pack is removed or disconnected.** Unexpected actuation of the hedge trimmer while clearing jammed material or servicing may result in serious personal injury.
5. **Hold the hedge trimmer by insulated gripping surfaces only, because the blade may contact hidden wiring.** Blades contacting a "live" wire may make exposed metal parts of the hedge trimmer "live" and could give the operator an electric shock.
6. **Keep all power cords and cables away from cutting area.** Power cords or cables may be hidden in hedges or bushes and can be accidentally cut by the blade.
7. **Do not use the hedge trimmer in bad weather conditions, especially when there is a risk of lightning.** This decreases the risk of being struck by lightning.

Additional Safety Instructions

Preparation

1. **Check the hedges and bushes for foreign objects, such as wire fences or hidden wiring before operating the tool.**
2. **The tool must not be used by children or young persons under 18 years of age.** Young persons over 16 years of age may be exempted from this restriction if they are undergoing training under the supervision of an expert.
3. **First-time users should have an experienced user show them how to use the tool.**
4. **Use the tool only if you are in good physical condition.** If you are tired, your attention will be reduced. Be especially careful at the end of a working day. Perform all work calmly and carefully. The user is responsible for all damages to third parties.
5. **Never use the tool when under the influence of alcohol, drugs or medication.**

6. **Work gloves of stout leather are part of the basic equipment of the tool and must always be worn when working with it. Also wear sturdy shoes with anti-skid soles.**
7. **Before starting work check to make sure that the tool is in good and safe working order. Ensure guards are fitted properly. The tool must not be used unless fully assembled.**

Operation

1. **Hold the tool firmly with both hands when using the tool.**
2. **The tool is intended to be used by the operator at ground level. Do not use the tool on ladders or any other unstable support.**
3. **Do not simultaneously wear multiple belt harnesses and/or shoulder harnesses when operating the tool.**
4. **DANGER - Keep hands away from blade. Contact with blade will result in serious personal injury.**
5. **Do not use the tool in the rain or in wet or very damp conditions. The electric motor is not waterproof.**
6. **Make sure you have a secure footing before starting operation.**
7. **Do not operate the tool at no-load unnecessarily.**
8. **Immediately switch off the tool and remove the battery cartridge if the shear blades should come into contact with a fence or other hard object. Check the blades for damage, and if damaged, replace the blades immediately.**
9. **Before checking the shear blades, taking care of faults, or removing material caught in the shear blades, always switch off the tool and remove the battery cartridge.**
10. **Never point the shear blades to yourself or others.**
11. **If the blades stop moving due to the stuck of foreign objects between the blades during operation, switch off the tool and remove the battery cartridge, and then remove the foreign objects using tools such as pliers. Removing the foreign objects by hand may cause an injury for the reason that the blades may move in reaction to removing the foreign objects.**
12. **Avoid dangerous environment. Don't use the tool in damp or wet locations or expose it to rain. Water entering the tool will increase the risk of electric shock.**

Maintenance and storage

1. **Switch off the tool and remove the battery cartridge before doing any maintenance work.**
2. **When moving the tool to another location, including during work, always remove the battery cartridge and put the blade cover on the shear blades. Never carry or transport the tool with the blades running. Never grasp the blades with your hands.**
3. **Clean the tool and especially the shear blades after use, and before putting the tool into storage for extended periods. Lightly oil the blades and put on the blade cover.**
4. **Store the tool with the blade cover on, in a dry room. Keep it out of reach of children. Never store the tool outdoors.**

5. **Do not dispose of the battery(ies) in a fire. The cell may explode. Check with local codes for possible special disposal instructions.**
6. **Do not open or mutilate the battery(ies). Released electrolyte is corrosive and may cause damage to the eyes or skin. It may be toxic if swallowed.**
7. **Do not charge battery in rain, or in wet locations.**

SAVE THESE INSTRUCTIONS.

⚠WARNING: DO NOT let comfort or familiarity with product (gained from repeated use) replace strict adherence to safety rules for the subject product. MISUSE or failure to follow the safety rules stated in this instruction manual may cause serious personal injury.

Important safety instructions for battery cartridge

1. **Before using battery cartridge, read all instructions and cautionary markings on (1) battery charger, (2) battery, and (3) product using battery.**
 2. **Do not disassemble or tamper the battery cartridge. It may result in a fire, excessive heat, or explosion.**
 3. **If operating time has become excessively shorter, stop operating immediately. It may result in a risk of overheating, possible burns and even an explosion.**
 4. **If electrolyte gets into your eyes, rinse them out with clear water and seek medical attention right away. It may result in loss of your eyesight.**
 5. **Do not short the battery cartridge:**
 - (1) **Do not touch the terminals with any conductive material.**
 - (2) **Avoid storing battery cartridge in a container with other metal objects such as nails, coins, etc.**
 - (3) **Do not expose battery cartridge to water or rain.**
- A battery short can cause a large current flow, overheating, possible burns and even a breakdown.**
6. **Do not store and use the tool and battery cartridge in locations where the temperature may reach or exceed 50 °C (122 °F).**
 7. **Do not incinerate the battery cartridge even if it is severely damaged or is completely worn out. The battery cartridge can explode in a fire.**
 8. **Do not nail, cut, crush, throw, drop the battery cartridge, or hit against a hard object to the battery cartridge. Such conduct may result in a fire, excessive heat, or explosion.**
 9. **Do not use a damaged battery.**
 10. **The contained lithium-ion batteries are subject to the Dangerous Goods Legislation requirements. For commercial transports e.g. by third parties, forwarding agents, special requirement on packaging and labeling must be observed.**

For preparation of the item being shipped, consulting an expert for hazardous material is required. Please also observe possibly more detailed national regulations.

Tape or mask off open contacts and pack up the battery in such a manner that it cannot move around in the packaging.

11. **When disposing the battery cartridge, remove it from the tool and dispose of it in a safe place. Follow your local regulations relating to disposal of battery.**
12. **Use the batteries only with the products specified by Makita.** Installing the batteries to non-compliant products may result in a fire, excessive heat, explosion, or leak of electrolyte.
13. **If the tool is not used for a long period of time, the battery must be removed from the tool.**
14. **During and after use, the battery cartridge may take on heat which can cause burns or low temperature burns. Pay attention to the handling of hot battery cartridges.**
15. **Do not touch the terminal of the tool immediately after use as it may get hot enough to cause burns.**
16. **Do not allow chips, dust, or soil stuck into the terminals, holes, and grooves of the battery cartridge.** It may result in poor performance or breakdown of the tool or battery cartridge.
17. **Unless the tool supports the use near high-voltage electrical power lines, do not use the battery cartridge near high-voltage electrical power lines.** It may result in a malfunction or breakdown of the tool or battery cartridge.
18. **Keep the battery away from children.**

SAVE THESE INSTRUCTIONS.

CAUTION: Only use genuine Makita batteries. Use of non-genuine Makita batteries, or batteries that have been altered, may result in the battery bursting causing fires, personal injury and damage. It will also void the Makita warranty for the Makita tool and charger.

Tips for maintaining maximum battery life

1. **Charge the battery cartridge before completely discharged. Always stop tool operation and charge the battery cartridge when you notice less tool power.**
2. **Never recharge a fully charged battery cartridge. Overcharging shortens the battery service life.**
3. **Charge the battery cartridge with room temperature at 10 °C - 40 °C (50 °F - 104 °F). Let a hot battery cartridge cool down before charging it.**
4. **When not using the battery cartridge, remove it from the tool or the charger.**
5. **Charge the battery cartridge if you do not use it for a long period (more than six months).**

FUNCTIONAL DESCRIPTION

CAUTION: Always be sure that the tool is switched off and the battery cartridge is removed before adjusting or checking function on the tool.

Installing or removing battery cartridge

CAUTION: Always switch off the tool before installing or removing of the battery cartridge.

CAUTION: Hold the tool and the battery cartridge firmly when installing or removing battery cartridge. Failure to hold the tool and the battery cartridge firmly may cause them to slip off your hands and result in damage to the tool and battery cartridge and a personal injury.

► **Fig.1:** 1. Red indicator 2. Button 3. Battery cartridge

To remove the battery cartridge, slide it from the tool while sliding the button on the front of the cartridge.

To install the battery cartridge, align the tongue on the battery cartridge with the groove in the housing and slip it into place. Insert it all the way until it locks in place with a little click. If you can see the red indicator on the upper side of the button, it is not locked completely.

CAUTION: Always install the battery cartridge fully until the red indicator cannot be seen. If not, it may accidentally fall out of the tool, causing injury to you or someone around you.



















CAUTION: Do not install the battery cartridge forcibly. If the cartridge does not slide in easily, it is not being inserted correctly.

Indicating the remaining battery capacity

Only for battery cartridges with the indicator

► **Fig.2:** 1. Indicator lamps 2. Check button

Press the check button on the battery cartridge to indicate the remaining battery capacity. The indicator lamps light up for a few seconds.

Indicator lamps			Remaining capacity
 Lighted	 Off	 Blinking	
			75% to 100%
			50% to 75%
			25% to 50%
			0% to 25%
			Charge the battery.
 	 	 	The battery may have malfunctioned.










NOTE: Depending on the conditions of use and the ambient temperature, the indication may differ slightly from the actual capacity.

NOTE: The first (far left) indicator lamp will blink when the battery protection system works.

Speed adjusting
















You can adjust the tool speed by pressing the main power button. Each time you press the main power button, the level of speed changes.

► **Fig.3:** 1. Speed indicator 2. Main power button

Indicator	Mode	Stroke speed
  	High	4,400 min ⁻¹
  	Medium	3,600 min ⁻¹
  	Low	2,000 min ⁻¹

Tool / battery protection system

The tool is equipped with a tool/battery protection system. This system automatically cuts off power to the motor to extend tool and battery life. The tool will automatically stop during operation if the tool or battery is placed under one of the following conditions:

Status	Indicator lamps		
	 On	 Off	 Blinking
Overload		  	
Overheat	  	  	
Over discharge		  	

Overload protection

If the tool is overloaded by entangled branches or other debris, the indicators for "2" and "3" start blinking and the tool automatically stops.

In this situation, turn the tool off and stop the application that caused the tool to become overloaded. Then turn the tool on to restart.

NOTICE: Depending on the usage conditions, the tool is automatically turned off without any indication if the tool is overloaded by entangled branches or debris. In this case, switch off the tool and remove the battery cartridge, and then remove entangled branches or debris using tools such as pliers. After removing the branches or debris, install the battery cartridge and turn on the tool again.

Overheat protection for tool or battery

There are two types of overheating; tool overheating and battery overheating. When the tool overheating occurs, all speed indicators blink. When the battery overheating occurs, indicator for "1" blinks. If the overheating occurs, the tool stops automatically. Let the tool and/or battery cool down before turning the tool on again.

Overdischarge protection

When the battery capacity becomes low, the tool stops automatically and indicator for "1" blinks. If the tool does not operate even when the switches are operated, remove the battery from the tool and charge the battery.

Power switch action

WARNING: For your safety, this tool is equipped with lever which prevents the tool from unintended starting. NEVER use the tool if it runs when you simply pull the switch triggers without pressing the lever. Return the tool to our authorized service center for proper repairs BEFORE further usage.

WARNING: NEVER tape down or defeat purpose and function of the lever.

WARNING: Before installing the battery cartridge on the tool, always check to see that the switch triggers and lever actuate properly and return to the "OFF" position when released. Operating a tool with a switch that does not actuate properly can lead to loss of control and serious personal injury.

CAUTION: Never put your finger on the switch triggers when carrying. The tool may start unintentionally and cause injury.

NOTICE: Do not pull the switch trigger hard without pressing the lever. This can cause switch breakage.

Press the main power button to turn on the tool. The power lamp lights up when the tool is turned on. To turn off the tool, press and hold the main power button. The power lamp goes off when the tool is turned off.

► **Fig.4:** 1. Power lamp 2. Main power button

NOTE: The tool is automatically turned off if the tool is not operated for a certain period.

To prevent the switch trigger from being accidentally pulled, the lever is provided. To start the tool, pull the front switch trigger, and then pull the rear switch trigger while pressing the lever. When you release either of the switch triggers, the tool stops.

► **Fig.5:** 1. Lever 2. Rear switch trigger 3. Front switch trigger

Reverse button for debris removal

⚠ WARNING: If the entangled branches or debris cannot be removed by the reverse function, switch off the tool and remove the battery cartridge, and then remove the entangled branches or debris using tools such as pliers. Failure to switch off the tool and remove the battery cartridge may result in serious personal injury from accidental start-up. Removing the entangled branches or debris by hand may cause an injury, since the shear blades may move in reaction to removing them.

This tool has a reverse button to change the direction of shear blades movement. It is only for removing branches and debris entangled in the tool. To reverse the shear blades movement, press the reverse button when the shear blades have stopped, then pull the front switch trigger, and then pull the rear switch trigger while pressing the lever. The power lamp starts blinking, and the shear blades move in reverse direction. When entangled branches and debris are removed, the tool returns to the regular movement and the power lamp stops blinking and lights up.

► **Fig.6:** 1. Power lamp 2. Reverse button

NOTE: If the entangled branches or debris cannot be removed, release the switch triggers, then press the reverse button, and then pull the switch triggers until they are removed.

NOTE: If you tap the reverse button while the shear blades are still moving, the tool comes to stop and to be ready for reverse movement.

ASSEMBLY

⚠ CAUTION: Always be sure that the tool is switched off and the battery cartridge is removed before carrying out any work on the tool.

⚠ CAUTION: When replacing the shear blades, always wear gloves so that your hands do not directly contact the blades.

NOTICE: When replacing the shear blades, do not wipe off grease from the gear and crank.

Installing or removing the shear blades

⚠ CAUTION: Attach the blade cover before removing or installing the shear blades.

You can install 600 mm or 750 mm shear blades to your tool.

NOTE: If you change the shear blades to a different length, replace the chip receiver with one which fits the blades.

1. Remove four screws (for DUH604S) or five screws (for DUH754S), and then remove the chip receiver from the tool.

► **Fig.7:** 1. Chip receiver 2. Screw

2. Place the tool upside down, and then remove six bolts.

► **Fig.8:** 1. Bolt

3. Remove the cover and the plate.

► **Fig.9:** 1. Cover 2. Plate

NOTE: The plate may remain on the cover.

4. Remove the rod and the bearing.

► **Fig.10:** 1. Rod 2. Bearing

NOTE: The rod or bearing may remain on the cover.

5. Remove three screws, three sleeves and the felt pad, and then remove the shear blades.

► **Fig.11:** 1. Screw 2. Sleeve 3. Felt pad 4. Shear blades

NOTICE: Be careful not to lose the screws.

6. Remove the blade cover, and then attach it to the new shear blades.

► **Fig.12**

7. Adjust the crank so that two holes are lined up on the alignment line.

► **Fig.13:** 1. Hole 2. Alignment line

8. Align the protrusions on the shear blades vertically at the same position.

► **Fig.14:** 1. Protrusion

9. Insert the screw removed in step 5 into the hole on the shear blades to temporarily fix the shear blades, and then attach the felt pad to the shear blades.

► **Fig.15:** 1. Screw 2. Felt pad 3. Hole

10. Insert the protrusion on the shear blades to the hole on the rod, then align the position of the felt pad with the holes on the tool. Attach two new sleeves.

► **Fig.16:** 1. Felt pad 2. Protrusion 3. Hole 4. Sleeve

NOTICE: Apply a small amount of grease to the inner periphery of the hole of the rod.

NOTICE: Be careful not to lose the sleeves.

11. Align the holes on the sleeves, and shear blades with the holes on the tool, and then tighten two screws to temporarily fix the shear blades.

► **Fig.17:** 1. Screw

12. Attach a new sleeve.

► **Fig.18:** 1. Sleeve

13. Remove the screw inserted into the hole on the shear blades in step 9, and then tighten the screw together with the sleeve to fix the shear blades.

► **Fig.19:** 1. Screw

14. Firmly tighten the screws which were temporarily fixed in step 11.

15. Attach the bearing and the rod.

► **Fig.20:** 1. Rod 2. Small hole 3. Bearing

NOTICE: Apply a small amount of grease to the inner periphery of the small hole of the rod.

NOTICE: Make sure that the protrusion on the shear blades fits in the small hole on the rod.

16. Attach the plate.

► Fig.21: 1. Protrusion 2. Plate

NOTICE: Make sure that the protrusion on the shear blades fits in the hole on the plate.

17. Attach the cover, and then tighten six bolts.

► Fig.22: 1. Bolt 2. Cover

18. Attach the chip receiver to the tool by tightening four screws (for DUH604S) or five screws (for DUH754S).

► Fig.23: 1. Chip receiver 2. Screw

NOTICE: If the shear blades do not move smoothly, the shear blades are not engaged with the rods properly. Install the shear blades again.

NOTICE: If the parts other than the shear blades such as the rods are worn out, ask Makita Authorized Service Centers for parts replacement or repairs.

Removing or installing the chip receiver

CAUTION: When installing or removing the chip receiver, always wear gloves so that your hands do not directly contact the shear blades.

The chip receiver gathers discarded leaves and makes clean-up afterward much easier.

To remove the chip receiver, remove four screws (for DUH604S) or five screws (for DUH754S), and then remove the chip receiver from the tool. To install the chip receiver, follow the removal procedure in reverse.

► Fig.24: 1. Chip receiver 2. Screw

OPERATION

WARNING: Keep hands away from shear blades.

CAUTION: Avoid operating the tool in very hot weather as much as practicable. When operating the tool, be careful of your physical condition.

CAUTION: Be careful not to accidentally contact a metal fence or other hard objects while trimming. The shear blades may break and cause an injury.

CAUTION: Be careful not to allow the shear blades to contact the ground. The tool may recoil and cause an injury.

CAUTION: Overreaching with a hedge trimmer, particularly from a ladder, is extremely dangerous. Do not work while standing on anything wobbly or infirm.

NOTICE: Do not attempt to cut branches thicker than 10 mm in diameter with the tool. Cut branches to 10 cm lower than the cutting height using branch cutters before using the tool.

► Fig.25: (1) Cutting height (2) 10 cm

NOTICE: Do not cut down dead trees or similar hard objects. Doing so may damage the tool.

NOTICE: Do not trim the grass or weeds while using the shear blades. The shear blades may become tangled in the grass or weeds.

Hold the front grip with your right hand and the rear grip with your left hand. Pull the front switch trigger, then pull the rear switch trigger while pressing the lever, and then move the tool forward.

► Fig.26

For basic operation, tilt the shear blades toward the trimming direction and move it calmly and slowly at the speed rate of 3 to 4 seconds per meter.

► Fig.27

To cut a hedge top evenly, tie a string at the desired height and trim along it.

► Fig.28

The chip receiver gathers discarded leaves and makes clean-up afterward much easier.

► Fig.29

To cut a hedge side evenly, cut from the bottom to top.

► Fig.30

When trimming to make a round shape (trimming boxwood or rhododendron, etc.), trim from the root to the top for a beautiful finish.

► Fig.31

MAINTENANCE

CAUTION: Always be sure that the tool is switched off and the battery cartridge is removed before attempting to perform inspection or maintenance.

To maintain product SAFETY and RELIABILITY, repairs, any other maintenance or adjustment should be performed by Makita Authorized or Factory Service Centers, always using Makita replacement parts.

Cleaning the tool

Clean the tool by wiping off dust with a dry cloth or one dipped in soapy water and wrung out.

NOTICE: Never use gasoline, benzine, thinner, alcohol or the like. Discoloration, deformation or cracks may result.

Shear blade maintenance

Before the operation or once per hour during operation, apply low-viscosity oil (machine oil, or spray-type lubricating oil) to the shear blades.

► Fig.32

After operation, remove dust from the shear blades with a wired brush, wipe it off with a cloth and then apply low-viscosity oil (machine oil, or spray-type lubricating oil) to the shear blades.

► Fig.33

NOTICE: Do not wash the shear blades in water.

Doing so may cause rust or damage to the tool.

NOTICE: Dirt and corrosion cause excessive blade friction and shorten the operating time per battery charge.

Storage

The hook hole in the tool bottom is convenient for hanging the tool from a nail or screw on the wall.

Remove the battery cartridge from the tool, and then attach the blade cover to the shear blades so that the blades are not exposed. Store the tool out of the reach of children. Store the tool in a place not exposed to moisture or rain.

► Fig.34: 1. Hole

Grinding the shear blades

NOTICE: If the shear blades have considerably deformed by grinding, replace the shear blades with new ones.

1. Install the battery cartridge to the tool.
2. Turn on and start the tool so that the upper blade and lower blade are positioned alternately.

► Fig.35

3. Turn off the tool and remove the battery cartridge from the tool.

4. Set the angle of a file to 45°, and grind the upper blade from 3 directions with the file.

► Fig.36: (1) File (2) 45°

CAUTION: Before grinding the shear blades, make sure that the tool is switched off and the battery cartridge is removed from the tool.

5. Place the tool upside down, and then remove the burrs from the shear blades with the dressing stone.

► Fig.37: 1. Dressing stone

6. Set the angle of the file to 45°, and grind the lower blade from 3 directions with the file.

7. Return the tool to normal position, and then remove the burrs from the shear blades with the dressing stone.

Grease lubrication

Interval of lubrication: Every 100 operating hours

1. Remove the bolt from the hole for lubrication.

► Fig.38: 1. Bolt

2. Remove the cap from the grease vessel. Align the outlet of the grease vessel with the hole on the cover, and then press the outlet of the grease vessel onto the hole.

► Fig.39: 1. Grease vessel 2. Hole

3. Apply the grease to the tool (Approximately 5 g as a guide).

4. Tighten the bolt.

TROUBLESHOOTING

Before asking for repairs, conduct your own inspection first. If you find a problem that is not explained in the manual, do not attempt to dismantle the tool. Instead, ask Makita Authorized Service Centers, always using Makita replacement parts for repairs.

State of abnormality	Probable cause (malfunction)	Remedy
Motor does not run.	Battery cartridge is not installed.	Install the battery cartridge.
	Battery problem (under voltage)	Recharge the battery. If recharging is not effective, replace battery.
	The drive system does not work correctly.	Ask your local authorized service center for repair.
Motor stops running after a little use.	Battery's charge level is low.	Recharge the battery. If recharging is not effective, replace battery.
	Overheating.	Stop using of tool to allow it to cool down.
Tool does not reach maximum RPM.	Battery is installed improperly.	Install the battery cartridge as described in this manual.
	Battery power is dropping.	Recharge the battery. If recharging is not effective, replace battery.
	The drive system does not work correctly.	Ask your local authorized service center for repair.
Shear blades do not move: ⇒ stop the machine immediately!	Foreign objects are caught between the shear blades.	1. Use the reverse button. 2. Switch off the tool and remove the battery cartridge, and then remove the foreign objects using tools such as pliers.
	The drive system does not work correctly.	Ask your local authorized service center for repair.
Abnormal vibration: ⇒ stop the machine immediately!	Shear blades are broken, bent or worn.	Replace the shear blades.
	The drive system does not work correctly.	Ask your local authorized service center for repair.
Shear blades and motor cannot stop: ⇒ Remove the battery immediately!	Electric malfunction.	Remove the battery and ask your local authorized service center for repair.

OPTIONAL ACCESSORIES

⚠ CAUTION: These accessories or attachments are recommended for use with your Makita tool specified in this manual. The use of any other accessories or attachments might present a risk of injury to persons. Only use accessory or attachment for its stated purpose.

If you need any assistance for more details regarding these accessories, ask your local Makita Service Center.

- Shear blade assembly
- Chip receiver
- Grease vessel
- Makita genuine battery and charger

NOTE: Some items in the list may be included in the tool package as standard accessories. They may differ from country to country.

TEHNIČNI PODATKI

Model:	DUH604S	DUH754S
Dolžina rezila	600 mm	750 mm
Hodi na minuto	2.000 / 3.600 / 4.400 min ⁻¹	
Celotna dolžina	1.061 mm	1.200 mm
Nazivna napetost	D.C. 18 V	
Neto teža	3,4 – 3,9 kg	

- Ker nenehno opravljamo raziskave in razvijamo svoje izdelke, se lahko tehnični podatki v tem dokumentu spremenijo brez obvestila.
- Tehnični podatki se lahko razlikujejo od države do države.
- Teža se lahko razlikuje glede na priključke, vključno z akumulatorsko baterijo. Najlažja in najtežja kombinacija v skladu s postopkom EPTA 01/2014 sta prikazani v preglednici.

Uporabna akumulatorska baterija in polnilnik

Baterijski vložek	BL1815N / BL1820 / BL1820B / BL1830 / BL1830B / BL1840 / BL1840B / BL1850 / BL1850B / BL1860B
Polnilnik	DC18RC / DC18RD / DC18RE / DC18SD / DC18SE / DC18SF / DC18SH

- Nekatere zgoraj navedene akumulatorske baterije in polnilniki morda v vaši državi prebivališča niso na voljo.

⚠ OPOZORILO: Uporabljajte le zgoraj navedene akumulatorske baterije in polnilnike. Uporaba drugih akumulatorskih baterij in polnilnikov lahko povzroči telesne poškodbe in/ali požar.

Priporočeni adapter za baterije

Adapter za baterije	PDC01
---------------------	-------

- Nekateri zgoraj navedeni adapterji za baterije morda v vaši državi prebivališča niso na voljo.
- Pred uporabo adapterja za akumulator preberite navodila in varnostne oznake na adapterju za akumulator.

Simboli

Naslednji simboli se lahko uporabljajo v povezavi s strojem. Pred uporabo izdelka se obvezno seznanite z njihovim pomenom.



Preberite navodila za uporabo.



Ne izpostavljajte vlagi.



Pazite na zagodenje.



Nosite zaščitna očala.



Samo za države EU
Ne zavrzite izrabljene električne opreme ali akumulatorskega sklopa med gospodinjne odpadke! V skladu z Evropskimi direktivami o odpadni električni in elektronski opremi, baterijah in akumulatorjih, odpadnih baterijah in akumulatorjih ter upoštevanjem njihovih določil v skladu z državno zakonodajo je treba električno opremo, baterije in akumulatorje, katerih življenjski cikel je pretekel, zbirati ločeno in jih dostaviti v ustrezen obrat za recikliranje, ki deluje skladno z okoljevarstvenimi zahtevami.

Predvidena uporaba

Orodje je namenjeno rezanju žive meje.

Hrup

Običajna A-ovrednotena raven hrupa v skladu z EN62841-4-2:

Model DUH604S

Raven zvočnega tlaka (L_{pA}): 79,3 dB (A)

Raven zvočne moči (L_{WA}): 90,3 dB (A)

Odstopanje (K): 3 dB (A)

Model DUH754S

Raven zvočnega tlaka (L_{pA}): 80,6 dB (A)

Raven zvočne moči (L_{WA}): 91,6 dB (A)

Odstopanje (K): 3 dB (A)

Nivo hrupa med delom lahko preseže 80 dB (A).

OPOMBA: Navedene vrednosti oddajanja hrupa so bile izmerjene v skladu s standardnimi metodami testiranja in se lahko uporabljajo za primerjavo orodij.

OPOMBA: Navedene vrednosti oddajanja hrupa se lahko uporabljajo tudi pri predhodni oceni izpostavljenosti.

⚠ OPOZORILO: Uporabljajte zaščito za sluh.

⚠ OPOZORILO: Oddajanje hrupa med dejansko uporabo električnega orodja se lahko razlikuje od navedenih vrednosti, odvisno od načina uporabe orodja in predvsem vrste obdelovanca.

⚠ OPOZORILO: Upravljalavec mora za lastno zaščito poznati varnostne ukrepe, ki temeljijo na oceni izpostavljenosti v dejanskih pogojih uporabe (poleg časa proženja je treba upoštevati celoten delovni cikel, vključno s časom, ko je orodje izklopljeno, in časom, ko deluje v prostem teku).

Vibracije

Skupne vrednosti vibracij (vektorska vsota treh osi) v skladu z EN62841-4-2:

Model DUH604S

Emisije vibracij (a_{h1}): 2,5 m/s² ali manj
Odstopanje (K): 1,5 m/s²

Model DUH754S

Emisije vibracij (a_{h1}): 2,5 m/s² ali manj
Odstopanje (K): 1,5 m/s²

OPOMBA: Navedene skupne vrednosti oddajanja vibracij so bile izmerjene v skladu s standardnimi metodami testiranja in se lahko uporabljajo za primerjavo orodij.

OPOMBA: Navedene skupne vrednosti oddajanja vibracij se lahko uporabljajo tudi pri predhodni oceni izpostavljenosti.

⚠ OPOZORILO: Oddajanje vibracij med dejansko uporabo električnega orodja se lahko razlikuje od navedenih vrednosti, odvisno od načina uporabe orodja in predvsem vrste obdelovanca.

⚠ OPOZORILO: Upravljalavec mora za lastno zaščito poznati varnostne ukrepe, ki temeljijo na oceni izpostavljenosti v dejanskih pogojih uporabe (poleg časa proženja je treba upoštevati celoten delovni cikel, vključno s časom, ko je orodje izklopljeno, in časom, ko deluje v prostem teku).

Izjava o skladnosti ES

Samo za evropske države

Izjava ES o skladnosti je vključena v dodatku A, ki je priložen tem navodilom za uporabo.

VARNOSTNA OPOZORIILA

Splošna varnostna opozorila za električno orodje

⚠ OPOZORILO: Preberite vsa varnostna opozorila in navodila s slikami in tehničnimi podatki, ki so dobavljeni skupaj z električnim orodjem. Ob neupoštevanju spodaj navedenih navodil obstaja nevarnost električnega udara, požara in/ali hudih telesnih poškodb.

Shranite vsa opozorila in navodila za poznejšo uporabo.

Izraz „električno orodje“ v opozorilih se nanaša na vaše električno orodje (s kablom) ali baterijsko električno orodje (brez kabla).

Varnostna opozorila za brezžični rezalnik za živo mejo

1. **Ne približujte delov telesa rezilu. Ne odstranjujte odrezanega materiala in ne držite materiala, ki ga boste rezali, kadar se rezila premikajo.** Ko izključite stikalo, se rezila še vedno vrtijo. Trenutek nepazljivosti pri delu s škarjami za živo mejo lahko privede do hudih telesnih poškodb.
2. **Škarje za živo mejo nosite za ročaj, rezilo mora biti ustavljeno, bodite pozorni, da ne vključite stikala.** Če boste škarje za živo mejo pravilno nosili, boste zmanjšali tveganje za nehoteni zagon in posledično telesno poškodbo z rezili.
3. **Kadar prenašate ali shranjujete škarje za živo mejo, vedno namestite pokrov rezila.** Ustrezno rokovanje s škarjami za živo mejo bo zmanjšalo morebitne telesne poškodbe zaradi rezil.
4. **Ko odstranjujete zataknenji material ali popravljate enoto, se prepričajte, da so vsi gumbi za vklop/izklop izklopljeni in da je akumulatorska baterija odstranjena ali izklopljena.** Nepričakovan zagon škarij za živo mejo med čiščenjem zataknenega materiala ali popravilnjem lahko povzroči resne telesne poškodbe.
5. **Držite škarje za živo mejo na izoliranih držalnih površinah, saj lahko rezilo prereže skrito električno napeljavo.** Ob stiku rezil z vodniki pod napetostjo dobijo napetost vsi neizolirani kovinski deli škarij za živo mejo, zaradi česar lahko uporabnik utrpi električni udar.
6. **Električne kable odstranite z območja rezanja.** Med uporabo so lahko kabli skriti živi meji ali grmovju in jih lahko z rezilom nenamerno prerežete.
7. **Škarij za živo mejo ne uporabljajte ob slabem vremenu, še posebej, kadar bliska.** S tem zmanjšate tveganje, da bi vas zadela strela.

Dodatna varnostna navodila

Priprava

1. **Pred uporabo orodja preverite, da v živi meji in grmičevju ni tujkov, kot so žične ograje ali skrite žice.**
2. **Orodja ne smejo uporabljati otroci ali mlajši od 18 let.** Mladoletne osebe, starejše od 16 let, so lahko izvzete iz te omejitve, če se usposabljaajo pod nadzorom strokovnjaka.
3. **Uporabnike, ki prvič uporabljajo orodje, naj izkušeni uporabnik pouči o uporabi orodja.**
4. **Orodje uporabljajte samo, če ste dobro fizično pripravljeni.** Če ste utrujeni, bo vaša zbranost zmanjšana. Še posebej bodite pozorni ob koncu delovnega dne. Vsa dela opravljajte mirno in zbrano. Uporabnik je odgovoren za vse poškodbe, povzročene tretjim osebam.
5. **Nikoli ne uporabljajte orodja pod vplivom alkohola, drog ali zdravil.**

- Delovne rokavice iz robustnega usnja so del osnovne opreme orodja in jih je pri delu treba vedno nositi. Prav tako nosite močne čevlje z nedrsečim podplatom.
- Pred začetkom dela se prepričajte, da je orodje v dobrem stanju in varno za delo. Zagotovite, da so ščitniki pravilno nameščeni. Orodja ni dovoljeno uporabljati, če ni v celoti sestavljeno.

Uporaba

- Med uporabo trdno držite orodje z obema rokama.
- Orodje je namenjeno uporabi na tleh. Orodja ne uporabljajte na lestvah ali drugih nestabilnih oporah.
- Med uporabo orodja ne nosite več pasih in/ali ramenskih jermenov hkrati.
- NEVARNOST** - Ne približujte rok rezilu. Stik z rezilom povzroči hude telesne poškodbe.
- Orodja ne uporabljajte v dežju ali v zelo vlažnih pogojih. Električni motor ni vodotesen.
- Pred začetkom uporabe zagotovite trdno stojišče.
- Ne uporabljajte orodja brez obremenitve po nepotrebnem.
- Če rezila škarij pridejo v stik z ograjo ali drugim trdim predmetom, takoj ugasnite orodje in odstranite akumulatorsko baterijo. Preverite rezila, ali so poškodovana, in jih v tem primeru takoj zamenjajte.
- Preden rezila škarij pregledate, odpravite napake ali odstranite material, ki se je ujel v rezila škarij, vedno izklopite orodje in odstranite akumulatorsko baterijo.
- Rezil nikoli ne usmerite proti sebi ali drugim osebam.
- Če se med delovanjem rezila nehajo premikati, ker so se med njih zataknili tujki, izklopite orodje, odstranite akumulatorsko baterijo in nato odstranite tujke z orodjem, kot so kleščice. Odstranjevanje tujkov z rokami lahko povzroči poškodbe, saj se zaradi odstranjevanja tujkov lahko premaknejo rezila.
- Izogibajte se nevarnemu okolju. Orodja ne uporabljajte na vlažnih ali mokrih mestih in ga ne izpostavljajte dežju. Voda, ki prodre v orodje, bo povečala nevarnost električnega udara.

Vzdrževanje in shranjevanje

- Pred vzdrževalnimi deli izklopite orodje in odstranite akumulatorsko baterijo.
- Kadar prenašate orodje na drugo lokacijo, tudi med delom, vedno odstranite akumulatorsko baterijo in namestite pokrov rezila škarij. Nikoli ne prenašajte ali prevažajte orodja, kadar deluje. Nikoli ne prijemajte rezil z rokami.
- Po uporabi in preden shranite orodje za dlje časa ga očistite (še posebej rezilo škarij). Rahlo naoljite rezila in namestite pokrov za rezila.
- Orodje shranjujte z nameščenim pokrovom za rezila in v suhem prostoru. Shranjujte nedosegljivo otrokom. Orodja nikoli ne shranjujte na prostem.

- Akumulatorja/-ev ni dovoljeno metati v ogenj. Celica lahko eksplodira. Preverite lokalne predpise glede morebitnih posebnih navodil za odstranjevanje.
- Ne odpirajte ali spreminjajte akumulatorja/-ev. Sproščeni elektrolit je koroziven in lahko povzroči poškodbe oči ali kože. Pri zaužitju je lahko strupen.
- Akumulatorja ne polnite v dežju ali na mokrih mestih.

SHRANITE TA NAVODILA.

⚠ OPOZORILO: NE dovolite, da bi zaradi udobnejšega dela ali znanja o uporabi izdelka (pridobljenega z večkratno uporabo) opustili strogo upoštevanje varnostnih zahtev v okviru pravilne uporabe orodja. ZLORABA ali neupoštevanje varnostnih zahtev v teh navodilih za uporabo lahko povzroči resne telesne poškodbe.

Pomembna varnostna navodila za akumulatorsko baterijo

- Pred uporabo baterijskega vložka preberite vsa navodila in opozorilne oznake na (1) polnilniku akumulatorja, (2) akumulatorju in (3) izdelku, ki uporablja akumulator.
- Ne razstavljajte ali spreminjajte akumulatorske baterije. S tem lahko povzročite požar, prekomerno vročino ali eksplozijo.
- Če se je čas delovanja občutno skrajšal, takoj prenehajte uporabljati orodje. V nasprotnem primeru lahko pride do pregretja, morebitnih opeklin in celo eksplozije.
- Če pride elektrolit v stik z očmi, jih sperite s čisto vodo in takoj poiščite zdravniško pomoč. Posledica je lahko izguba vida.
- Ne povzročite kratkega stika baterijskega vložka:
 - Ne dotikajte se priključkov s kakršnim koli prevodnim materialom.
 - Izogibajte se shranjevanju baterijskega vložka v vsebniku z drugimi kovinskimi predmeti kot so žebli, kovanci itn.
 - Ne izpostavljajte baterijskega vložka vodi ali dežju.
 Kratek stik akumulatorja lahko povzroči velik električni tok, pregrevanje, morebitne opekline in celo okvaro.
- Ne shranjujte in uporabljajte orodja in akumulatorske baterije na mestih, kjer lahko temperatura doseže ali preseže 50 °C (122 °F).
- Ne sežigajte baterijskega vložka, tudi če je hudo poškodovan ali v celoti izpraznjen. Baterijski vložek lahko v ognju eksplodira.
- Ne pribijajte, režite, drobite, mečite, spuščajte akumulatorske baterije oziroma ne udarjajte z akumulatorsko baterijo po trdem predmetu. Takšno ravnanje lahko povzroči požar, prekomerno vročino ali eksplozijo.
- Ne uporabljajte poškodovanih akumulatorjev.

10. **Priložene litij-ionske baterije ustrezajo zahtevam zakonodaje v zvezi z nevarnim blagom.** Za komercialne prevoze, npr. tiste, ki jih opravljajo tretje stranke in carinski posredniki, je treba upoštevati posebne zahteve v zvezi z embalažo in označevanjem. Med postopkom priprave na odpremo izdelka se je treba posvetovati s strokovnjakom za nevarne snovi. Pri tem upoštevajte tudi podrobnejše nacionalne predpise. Odprte stike oblepite z lepilnim trakom ali jih drugače zaščitite, baterijo pa zapakirajte tako, da se v embalaži ne more premikati.
11. **Ko odstranjujete akumulatorsko baterijo, jo vzemite iz orodja in varno zavržite.** Upoštevajte lokalne uredbe glede odlaganja baterije.
12. **Baterije uporabljajte le z izdelki, ki jih določi Makita.** Če namestite baterije v neskladne izdelke, lahko pride do požara, pregrevanja, eksplozije ali puščanja elektrolita.
13. **Če orodja dlje časa ne uporabljate, morate iz njega odstraniti baterijo.**
14. **Med uporabo in po uporabi lahko akumulatorska baterija postane vroča in povzroči opekline. Z vročimi akumulatorskimi baterijami ravnejte pazljivo.**
15. **Ne dotikajte se priključka orodja takoj po uporabi, ker se lahko dovolj segreje, da povzroči opekline.**
16. **Ne dovolite, da bi se v priključke, odprtine in utore akumulatorske baterije zlepi ostružki, prah ali zemlja.** Umazanija lahko povzroči slabše delovanje ali okvaro orodja oziroma akumulatorske baterije.
17. **Razen če orodje podpira uporabo v bližini visokonapetostnih električnih vodov, akumulatorske baterije ne uporabljajte v bližini visokonapetostnih električnih vodov.** Takšna uporaba lahko povzroči motnje v delovanju ali okvaro orodja oziroma akumulatorske baterije.
18. **Baterijo hranite izven dosega otrok.**

SHRANITE TA NAVODILA.

⚠️ POZOR: Uporabljajte le originalne baterije Makita. Če uporabljate neoriginalne baterije Makita ali baterije, ki so bile spremenjene, lahko pride do eksplozije baterije in posledično do požara, telesnih poškodb ali materialne škode. S takšno uporabo boste tudi razveljavili garancijo Makita za orodje in polnilnik Makita.

Nasveti za ohranjanje največje zmogljivosti akumulatorja

1. **Napolnite baterijski vložek, preden se v celoti izprazni. Ko opazite, da ima orodje manjšo moč, vedno ustavite delovanje orodja in napolnite baterijski vložek.**
2. **Nikoli znova ne polnite popolnoma napolnjenega baterijskega vložka. Prenapolnjenje skrajša življenjsko dobo akumulatorja.**
3. **Baterijski vložek s sobno temperaturo polnite pri temperaturi okolja od 10 °C do 40 °C. Počakajte, da se vroč baterijski vložek pred polnjenjem ohladi.**
4. **Ko akumulatorske baterije ne uporabljate, jo odstranite iz orodja ali polnilnika.**
5. **Če baterijskega vložka ne uporabljate dalj časa (več kot 6 mesecev), ga napolnite.**

OPIS DELOVANJA

⚠️ POZOR: Pred nastavljanjem ali preizkusom delovanja orodja se prepričajte, ali je orodje izključeno in ali je akumulatorska baterija odstranjena.

Nameščanje ali odstranjevanje akumulatorske baterije

⚠️ POZOR: Vedno izklopite orodje, preden namestite ali odstranite akumulatorsko baterijo.

⚠️ POZOR: Kadar nameščate ali odstranjujete akumulatorsko baterijo, trdno držite orodje in akumulatorsko baterijo. Če orodja in akumulatorske baterije ne držite trdno, se lahko zgodi, da vam zdrsneta iz rok, posledica pa je lahko poškodba orodja in akumulatorske baterije ter telesna poškodba.

► **SI.1:** 1. Rdeči indikator 2. Gumb 3. Baterijski vložek

Če želite odstraniti akumulatorsko baterijo, jo potisnite iz orodja, pri tem pa pomikajte gumb na sprednji strani vložka.

Akumulatorsko baterijo vstavite tako, da poravnate jeziček na bateriji z utovor na ohišju in jo potisnete v ležišče. Potisnite jo do konca, da se zaskoči. Če je rdeči indikator na zgornji strani gumba viden, pomeni, da baterija ni ustrezno zaklenjena.

⚠️ POZOR: Vedno namestite akumulatorsko baterijo tako, da rdeči indikator ni več viden. Če tega ne upoštevate, lahko baterija nepričakovano pade iz orodja in poškoduje vas ali osebe v neposredni bližini.













⚠️ POZOR: Ne nameščajte akumulatorske baterije s silo. Če se akumulatorska baterija ne zaskoči zlahka, ni pravilno vstavljena.

Prikazuje preostalo raven napolnjenosti akumulatorja

Samo za akumulatorske baterije z indikatorjem

► **SI.2:** 1. Indikatorske lučke 2. Gumb za preverjanje

Pritisnite gumb za preverjanje na baterijskem vložku, da preverite raven napolnjenosti akumulatorja. Indikatorske lučke na kratko zasvetijo.

Indikatorske lučke			Prikaz preostale ravni napolnjenosti
 Sveti	 Ne svetlo	 Utripa	
			od 75 % do 100 %
			od 50 % do 75 %
			od 25 % do 50 %
			od 0 % do 25 %
			Napolnite akumulator.

Indikatorske lučke			Prikaz preostale ravni napolnjenosti
Sveti	Ne sveti	Utripa	
			Akumulator je morda okvarjen.

OPOMBA: Odvisno od pogojev uporabe in okoljske temperature se označba lahko nekoliko razlikuje od dejanske napolnjenosti.

OPOMBA: Prva opozorilna lučka (skrajno levo) bo utripala, ko sistem za zaščito akumulatorja deluje.

Prilagajanje hitrosti

Hitrost orodja lahko prilagajate s pritiskom na glavni gumb za vklop/izklop. Ob vsakem pritisku na glavni gumb za vklop/izklop se spremeni hitrost delovanja orodja.

► **Sl.3:** 1. Indikator hitrosti 2. Glavni gumb za vklop/izklop

Indikator	Način	Hitrost hodov
 	Hitro	4.400 min ⁻¹
 	Srednje	3.600 min ⁻¹
 	Počasi	2.000 min ⁻¹

Zaščitni sistem orodja/akumulatorja

Orodje je opremljeno z zaščitnim sistemom za orodje/akumulator. Sistem samodejno prekine napajanje orodja, da podaljša življenjsko dobo orodja in akumulatorja. Orodje se samodejno zaustavi med delovanjem, če orodje ali akumulator delujeta pod naslednjimi pogoji:

Stanje	Indikatorske lučke		
	Sveti	Ne sveti	Utripa
Preobremenitev		 	
Pregrevanje	 		
Prekomerna izpraznjenost		 	

Zaščita pred preobremenitvijo

Če je orodje preobremenjeno zaradi zagodenih vej ali drugih ostankov, začeta utripati indikatorja „2“ in „3“, orodje pa se samodejno zaustavi.

V tem primeru izklopite orodje in prenehajte izvajati delo, ki je povzročilo preobremenitev orodja. Nato vklopite orodje in ga znova zaženite.

OBVESTILO: Odvisno od pogojev uporabe se orodje zaradi preobremenjenosti zaradi zapletenih vej in drugih ostankov samodejno zaustavi brez opozorila. V tem primeru izklopite orodje, odstranite akumulatorsko baterijo in odstranite zapletene vejice ter druge ostanke z orodjem, kot so klešče. Ko odstranite vejice in ostanke, namestite akumulatorsko baterijo in znova vklopite orodje.

Varovalo pred pregrevanjem za orodje in akumulator

Obstajata dve vrsti pregrevanja: pregrevanje orodja in pregrevanje akumulatorja. Kadar je pregreto orodje, utripajo vsi indikatorji hitrosti. Kadar je pregreto akumulator, utripa indikator „1“.

V primeru pregrevanja se orodje samodejno zaustavi. Počakajte, da se orodje in/ali akumulator ohladita, preden znova vklopite orodje.

Zaščita pred izpraznjenjem

Ko se zmogljivost baterije zniža, se orodje samodejno ustavi in utripati začne indikator „1“.

Če orodje ne deluje, tudi če so stikala vklopljena, odstranite akumulator iz orodja in ga napolnite.

Delovanje vklopno-izklopnega stikala

⚠ OPOZORILO: Za večjo varnost je orodje opremljeno z ročico, ki preprečuje nenamerni zagon orodja. NIKOLI ne uporabljajte orodja, kadar deluje, če hkrati s sprožilci ne pritisnete tudi ročice. PRED nadaljnjo uporabo orodje vrnite na pooblaščen servisni center, da ga ustrezno popravijo.

⚠ OPOZORILO: NIKOLI ne zalepite ročice ali onemogočite njenega delovanja in funkcije.

⚠ OPOZORILO: Preden namestite akumulatorsko baterijo v orodje, se vedno prepričajte, da sprožilci in ročica delujejo brezhibno in se vrnejo v položaj za izklop (OFF), ko ju spustite. Uporaba orodja s stikalom, ki se ne sproži pravilno, lahko privede do izgube nadzora in resnih telesnih poškodb.

⚠ POZOR: Pri prenašanju orodja ne polagajte prsta na sprožilce. Orodje se lahko nenamerno vklopi in povzroči poškodbo.

OBVESTILO: Ne pritiskajte sprožilnega stikala s silo, ne da bi pri tem pritisnili ročico. Stikalo se namreč lahko zlomi.

Pritisnite glavni gumb za vklop/izklop, da vklopite orodje. Lučka za vklop/izklop zasveti, ko je orodje vklopljeno. Za izklop znova pridržite glavni gumb za vklop/izklop. Lučka za vklop/izklop ugasne, ko je orodje izklopljeno.

► **SI.4:** 1. Lučka za vklop/izklop 2. Glavni gumb za vklop/izklop

OPOMBA: Orodje se samodejno izklopi, če ga nekaj časa ne uporabljate.

Za zaščito pred nehotenim vklopom sprožilca je orodje opremljeno z ročico. Za vklop orodja povlecite sprednji sprožilec in nato povlecite zadnji sprožilec, medtem ko pritiskate na ročico. Ko sprostite katerega koli od sprožilcev, se orodje ustavi.

► **SI.5:** 1. Ročica 2. Zadnji sprožilec 3. Sprednji sprožilec

Gumb za spremembo smeri za odstranjevanje oblog

⚠ OPOZORILO: Če zapletenih vejic ali ostankov ni mogoče odstraniti s funkcijo spremembe smeri, izklopite orodje, odstranite akumulatorsko baterijo in nato odstranite zapletene vejice ter druge ostanke z orodjem, kot so klešče. Če orodja ne izklopite in ne odstranite akumulatorske baterije, lahko pride do resnih telesnih poškodb zaradi nenamernega zagona. Odstranjevanje zapletenih vejic in ostankov z rokami lahko povzroči poškodbe, saj se zaradi odstranjevanja lahko premaknejo rezila.

To orodje ima gumb za spremembo smeri premikanja rezil. Namenjen je izključno odstranjevanju zapletenih vejic in ostankov z orodja.

Za spremembo smeri premikanja rezil pritisnite gumb za spremembo smeri, ko so rezila škarij zaustavljena, nato pa povlecite sprednji sprožilec, nato zadnji sprožilec, medtem ko pritiskate na ročico. Lučka za vklop/izklop začne utripati, rezila pa se začnejo premikati v drugo smer.

Ko so zapletene vejice in ostanke odstranjeni, orodje preklopi v običajno premikanje, lučka za vklop/izklop pa neha utripati in zasveti.

► **SI.6:** 1. Lučka za vklop/izklop 2. Gumb za spremembo smeri

OPOMBA: Če zapletenih vejic in ostankov ni mogoče odstraniti, sprostite sprožilce, nato pritisnite gumb za spremembo smeri in povlečete sprožilce, dokler niso odstranjeni.

OPOMBA: Če pritisnete gumb za spremembo smeri, medtem ko se rezila še vedno premikajo, se orodje ustavi in je pripravljeno za spremembo smeri vrtenja.

MONTAŽA

⚠ POZOR: Pred vsako izvedbo dela na orodju se prepričajte, da je le to izključeno in da je akumulatorska baterija odstranjena.

⚠ POZOR: Pri menjavi rezil vedno nosite rokavice, tako da se dlani neposredno ne dotikajo rezil.

OBVESTILO: Kadar menjate rezila, z orodja in ročice ne brišite trave.

Nameščanje ali odstranjevanje rezil

⚠ POZOR: Preden odstranite ali namestite rezila, namestite pokrov rezila.

Na orodje lahko namestite rezila škarij dolžine 600 mm ali 750 mm.

OPOMBA: Če zamenjate rezila škarij z drugo dolžino rezil, zamenjajte prestreznik odrezanega materiala s takšnim, ki ustreza rezilom.

1. Odstranite štiri vijake (za DUH604S) ali pet vijakov (za DUH754S) in nato odstranite prestreznik odrezanega materiala z orodja.

► **SI.7:** 1. Prestreznik odrezanega materiala 2. Vijak

2. Orodje obrnite na glavo in odstranite šest vijakov.

► **SI.8:** 1. Vijak

3. Odstranite pokrov in ploščo.

► **SI.9:** 1. Pokrov 2. Plošča

OPOMBA: Plošča lahko ostane na pokrovu.

4. Odstranite drog in nosilec.

► **SI.10:** 1. Drog 2. Nosilec

OPOMBA: Drog ali nosilec lahko ostaneta na pokrovu.

5. Odstranite tri vijake, tri obojke in polsteno blazinico ter nato odstranite rezila.

► **SI.11:** 1. Vijak 2. Stročnica 3. Polstena blazinica 4. Rezila

OBVESTILO: Pazite, da ne izgubite vijakov.

6. Odstranite pokrov rezila in ga nato pritrdite na nova rezila škarij.

► **SI.12**

7. Ročico prilagodite tako, da sta odprtini na poravnalni črti poravnani.

► **SI.13:** 1. Odprtina 2. Poravnalna črta

8. Navpično poravnajte izbočena dela na rezilih v enak položaj.

► **SI.14:** 1. Izbočeni del

9. Vijak, ki ste ga odstranili v 5. koraku, vstavite v rezila, da začasno pritrdite rezila, nato pa pritrdite polsteno blazinico na rezila.

► **SI.15:** 1. Vijak 2. Polstena blazinica 3. Odprtina

10. Izbočena dela na rezilih vstavite v odprtino na drogu in nato poravnajte položaj polstene blazinice z odprtinama na orodju. Namestite dve novi obojki.

► **SI.16:** 1. Polstena blazinica 2. Izbočeni del 3. Odprtina 4. Stročnica

OBVESTILO: Nanesite majhno količino masti na notranji del odprtine v drogu.

OBVESTILO: Pazite, da ne izgubite obojk.

11. Odprtini v obojkah in v rezilih poravnajte z odprtina v orodju in nato privijte vijaka, da začasno pritrdite rezila.

► **SI.17:** 1. Vijak

12. Pritrdite novo stročnico.

► **SI.18:** 1. Stročnica

13. Odstranite vijak, ki ste ga v 9. koraku vstavili v odprtino na rezilih, in nato privijte vijak skupaj z obojko, da pritrdite rezila.

► **SI.19:** 1. Vijak

14. Trdno privijte vijake, ki ste jih začasno privili v koraku 11.

15. Pritrdite nosilec in gred.

► **SI.20:** 1. Droг 2. Majhna odprtina 3. Nosilec

OBVESTILO: Majhno količino masti nanesite na notranji del manjše odprtine v drogu.

OBVESTILO: Prepričajte se, da se izbočeni del na rezilih prilaga manjši odprtini v drogu.

16. Namestite ploščo.

► **SI.21:** 1. Izbočeni del 2. Plošča

OBVESTILO: Prepričajte se, da se izbočeni del na rezilih prilaga odprtini v plošči.

17. Namestite pokrov in privijte šest vijakov.

► **SI.22:** 1. Vijak 2. Pokrov

18. Namestite prestreznik odrezanega materiala na orodja tako, da privijete štiri vijake (za DUH604S) ali pet vijakov (za DUH754S).

► **SI.23:** 1. Prestreznik odrezanega materiala 2. Vijak

OBVESTILO: Če se rezila ne premikajo gladko, niso pravilno povezana z drogov. Znova namestite rezila.

OBVESTILO: Če niso izrabljena rezila, ampak drugi deli, na primer drogov, se za zamenjavo ali popravilo obrnite na pooblaščen servisni center Makita.

Odstranjevanje ali nameščanje prestreznika odrezanega materiala

⚠ POZOR: Kadar nameščate ali odstranujete prestreznik odrezanega materiala, vedno nosite rokavice, da se vaše dlani rezila ne dotikajo neposredno.

Prestreznik odrezanega materiala zbira odpadlo listje in olajša čiščenje po zaključenem delu.

Če želite odstraniti prestreznik odrezanega materiala, odstranite štiri vijake (za DUH604S) ali pet vijakov (za DUH754S) in nato odstranite prestreznik odrezanega materiala z orodja. Prestreznik odrezanega materiala namestite v obratnem vrstnem redu.

► **SI.24:** 1. Prestreznik odrezanega materiala 2. Vijak

UPRAVLJANJE

⚠ POZOR! Rok ne približujte rezilom.

⚠ POZOR: Izogibajte se uporabi orodja pri visokih temperaturah, kolikor je to mogoče. Med uporabo orodja upoštevajte svoje fizično stanje.

⚠ POZOR: Pazite, da se med rezanjem nenamerno ne dotaknete kovinske ograje ali drugih trdih predmetov. Rezila se lahko zlomijo in povzročijo telesne poškodbe.

⚠ POZOR: Pazite, da se rezila ne dotikajo tal. Orodje lahko udari nazaj in povzroči telesne poškodbe.

⚠ POZOR: Previsoko seganje z rezalnikom za živo mejo, še posebej z lestve, je izjemno nevarno. Ne delajte, medtem ko stojite na majavi ali nestabilni podlagi.

OBVESTILO: S tem orodjem ne poskušajte rezati vej, debelejših od 10 mm. Pred uporabo orodja s škarjami za veje odrežite veje do višine 10 cm nižje od višine za rezanje.

► **SI.25:** (1) Višina za rezanje (2) 10 cm

OBVESTILO: Ne režite podrtih dreves ali podobnih trdih predmetov. Pri tem lahko poškodujete orodje.

OBVESTILO: Z rezili ne režite trave ali plevela. Rezila se lahko zapletejo v travo ali plevel.

Z desno roko držite sprednji ročaj, zadnji ročaj pa z levo roko. Povlecite sprednji sprožilec, nato povlecite zadnji sprožilec, medtem ko pritisnete ročico, nato orodje premaknite naprej.

► **SI.26**

Pri osnovni uporabi nagnite rezila v smeri rezanja in jih mirno in počasi premikajte pri hitrosti 3 do 4 sekunde na meter.

► **SI.27**

Za enakomerno rezanje vrha žive meje privežite vrvico v zeleni višini žive meje in režite vzdolž vrvice.

► **SI.28**

Prestreznik odrezanega materiala zbira odpadlo listje in olajša čiščenje po zaključenem delu.

► **SI.29**

Za enakomerno rezanje žive meje ob straneh režite od spodaj navzgor.

► **SI.30**

Ko želite pri rezanju ustvariti okroglo obliko (ko režete zeleniko, rododendron itd.), režite od korenine navzgor, da ustvarite lep končni izdelek.

► **SI.31**

VZDRŽEVANJE

⚠️ POZOR: Preden se lotite pregledovanja ali vzdrževanja orodja, se vedno prepričajte, da je orodje izklopljeno in akumulatorska baterija odstranjena.

VARNO in ZANESLJIVO delovanje tega izdelka bo zagotovljeno le, če boste popravila, vzdrževanje in nastavitve prepustili pooblaščenemu servisu za orodja Makita ali tovarniškemu osebju, ki vgrajuje izključno originalne nadomestne dele.

Čiščenje orodja

Orodje očistite tako, da obrišete prah s suho krpo ali krpo, ki ste jo namočili v milnico in jo nato dobro oželi.

OBVESTILO: Nikoli ne uporabljajte bencina, razredčila, alkohola ali podobnega sredstva. V tem primeru se lahko orodje razbarva ali deformira oziroma lahko nastanejo razpoke.

Vzdrževanje rezila škarij

Pred uporabo orodja ali enkrat na uro med uporabo premažite rezila z oljem z nizko viskoznostjo (strojno olje ali mazalno olje v razpršilu).

► SI.32

Po uporabi odstranite prah z rezil škarij z žičnato krtačo, rezila obrišite s krpo in nato nanje nanesite olje z nizko viskoznostjo (strojno olje ali mazalno olje v razpršilu).

► SI.33

OBVESTILO: Rezil ne čistite z vodo. V nasprotnem primeru lahko pride do rje ali poškodb orodja.

OBVESTILO: Umazanija in korozija povzročata čezmerno trenje rezil in skrajšata čas delovanja na eno polnjenje akumulatorja.

Shranjevanje

Odprtina za obešanje v podstavku orodja je primerna za obešanje orodja na žebelj ali vijak v steni.

Odstranite akumulatorsko baterijo iz orodja, nato pritrdite pokrov rezil na rezila škarij, tako da rezila niso izpostavljena. Orodje hranite izven dosega otrok.

Orodje hranite na mestu, ki ni izpostavljeno vlagi ali dežju.

► SI.34: 1. Odprtina

Brušenje rezil

OBVESTILO: Če rezila močno spremenijo obliko zaradi brušenja, jih zamenjajte z novimi.

1. Akumulatorsko baterijo namestite v orodje.
2. Vključite in zaženite orodje, da zgornje in spodnje rezilo nista poravnana.
► SI.35
3. Izklopite orodje in odstranite akumulatorsko baterijo.
4. Kot pile nastavite na 45° in zgornje rezilo brusite iz 3 smeri.
► SI.36: (1) Pila (2) 45°

⚠️ POZOR: Pred brušenjem rezil se prepričajte, da je orodje izklopljeno in akumulatorska baterija odstranjena.

5. Orodje obrnite na glavo in z brusnim kamnom odstranite zarobke z rezil.
► SI.37: 1. Brusni kamen
6. Kot pile nastavite na 45° in spodnje rezilo brusite iz 3 smeri.
7. Orodje obrnite v običajen položaj in z brusnim kamnom odstranite zarobke z rezil.

Mazanje z mastjo

Interval mazanja: Vsakih 100 ur delovanja

1. Odstranite vijak iz odprtine za nanos masti.
► SI.38: 1. Vijak
2. Odstranite kapico iz vsebnika za mast. Poravnajte odprtino vsebnika za mast z odprtino v pokrovu in pritisnite vsebnik za mast v odprtino.
► SI.39: 1. Vsebnik za mast 2. Odprtina
3. Mast stisnite v orodje (približno 5 g).
4. Privijte vijak.

ODPRAVLJANJE TEŽAV

Preden zahtevate popravilo, izvedite lasten pregled. Če naletite na težavo, ki ni pojasnjena v navodilih, ne poskušajte razstavljati orodja. Namesto tega se obrnite na pooblaščen servis Makita. Pri popravilih vedno uporabljajte nadomestne dele Makita.

Neobičajno stanje	Možni vzroki (okvare)	Ukrep
Motor ne obratuje.	Akumulatorska baterija ni nameščena.	Namestite akumulatorsko baterijo.
	Težava z akumulatorjem (padec napetosti)	Znova napolnite akumulatorsko baterijo. Če z vnovičnim polnjenjem ne odpravite težave, zamenjajte akumulatorsko baterijo.
	Pogonski sistem ne deluje pravilno.	Za popravilo se obrnite na lokalni pooblaščen servisni center.
Motor se zaustavi po kratkem času uporabe kosilnice.	Raven napolnjenosti akumulatorja je nizka.	Znova napolnite akumulatorsko baterijo. Če z vnovičnim polnjenjem ne odpravite težave, zamenjajte akumulatorsko baterijo.
	Pregrevanje.	Prenehajte uporabljati orodje in pustite, da se ohladi.
Orodje ne doseže največje hitrosti.	Akumulatorska baterija ni pravilno nameščena.	Namestite akumulatorsko baterijo, kot je opisano v tem priročniku.
	Zmogljivost akumulatorja se zmanjšuje.	Znova napolnite akumulatorsko baterijo. Če z vnovičnim polnjenjem ne odpravite težave, zamenjajte akumulatorsko baterijo.
	Pogonski sistem ne deluje pravilno.	Za popravilo se obrnite na lokalni pooblaščen servisni center.
Rezila škarij se ne premikajo: ⇒ takoj zaustavite kosilnico!	Med rezili škarij so ujeti tujki.	1. Uporabite gumb za spremembo smeri. 2. Izklopite orodje in odstranite akumulatorsko baterijo, nato pa odstranite tujke z orodjem, kot so kleščice.
	Pogonski sistem ne deluje pravilno.	Za popravilo se obrnite na lokalni pooblaščen servisni center.
Neobičajno vibriranje: ⇒ takoj zaustavite kosilnico!	Rezila škarij so polomljena, zvita ali obrabljena.	Zamenjajte rezila škarij.
	Pogonski sistem ne deluje pravilno.	Za popravilo se obrnite na lokalni pooblaščen servisni center.
Rezila škarij in motor se ne morejo ustaviti: ⇒ takoj odstranite akumulatorsko baterijo!	Električna napaka.	Odstranite akumulatorsko baterijo in se za popravilo obrnite na lokalni pooblaščen servisni center.

DODATNA OPREMA

⚠ POZOR: Ta dodatni pribor ali pripomočki so predvideni za uporabo z orodjem Makita, ki je opisano v teh navodilih za uporabo. Pri uporabi drugega pribora ali pripomočkov obstaja nevarnost telesnih poškodb. Dodatni pribor ali pripomočke uporabljajte samo za navedeni namen.

Za več informacij o dodatni opremi se obrnite na najbližji pooblaščen servis za orodja Makita.

- Sklop rezila škarij
- Prestreznik odrezanega materiala
- Vsebnik za mast
- Originalna akumulator in polnilnik Makita

OPOMBA: Nekateri predmeti na seznamu so lahko priloženi orodju kot standardna dodatna oprema. Lahko se razlikujejo od države do države.

SPECIFIKIMET

Modeli:	DUH604S	DUH754S
Gjatësia e fletës	600 mm	750 mm
Goditje në minutë	2 000 / 3 600 / 4 400 min ⁻¹	
Gjatësia totale	1 061 mm	1 200 mm
Tensioni nominal	D.C. 18 V	
Pesha neto	3,4 - 3,9 kg	

- Për shkak të programit tonë të vazhdueshëm të kërkim-zhvillimit, specifikimet që jepen këtu mund të ndryshojnë pa dhënë njoftim.
- Specifikimet mund të ndryshojnë nga njëri shtet në tjetrin.
- Pesha mund të ndryshojë në varësi të aksesorit(ëve), përfshirë kutinë e baterisë. Kombinimi më i lehtë dhe më i rëndë, sipas Procedurës EPTA 01/2014, tregohet në tabelë.

Kutia e aplikueshme e baterisë dhe karikuesi

Kutia e baterisë	BL1815N / BL1820 / BL1820B / BL1830 / BL1830B / BL1840 / BL1840B / BL1850 / BL1850B / BL1860B
Karikuesi	DC18RC / DC18RD / DC18RE / DC18SD / DC18SE / DC18SF / DC18SH

- Disa prej kutive të baterive dhe karikuesve të renditura më lart mund të mos jenë të disponueshme në varësi të zonës ku ju banoni.

⚠ PARALAJMËRIM: Përdorni vetëm kutitë e baterisë dhe karikuesit e listuar më lart. Përdorimi i karikuesve dhe kutive të tjera të baterisë mund të shkaktojë lëndim dhe/ose zjarr.

Përshtatësi i rekomanduar i baterisë

Përshtatësi i baterisë	PDC01
------------------------	-------

- Disa prej përshtatësve të baterive të renditura më lart mund të mos jenë të disponueshme në varësi të zonës ku ju banoni.
- Përpara përdorimit të përshtatësit të baterisë, lexoni udhëzimet dhe shënimet paralajmëruese te përshtatësi i baterisë.

Simbolet

Pjesët në vazhdim tregojnë simbolet që mund të përdoren për pajisjen. Sigurohuni që merrni vesh kuptimin e tyre përpara përdorimit.



Lexoni manualin e përdorimit.



Mos e ekspozoni ndaj lagështirës.



Kujdes nga pickimi.



Mbani syze mbrojtëse.



Ni-MH
Li-ion

Vetëm për shtetet e BE-së
Mos i hidhni pajisjet elektrike ose paketën e baterisë së bashku me mbeturinat e shtëpisë!
Në përputhje me Direktivën Evropiane për mbetjet nga pajisjet elektrike dhe elektronike, për bateritë dhe akumulatorët dhe mbetjet nga bateritë dhe akumulatorët dhe implementimin e tyre në përputhje me legjisllacionin kombëtar, pajisjet elektrike, bateritë dhe paketën(at) e baterisë që kanë arritur fundin e jetëgjatësisë së tyre duhet të mblidhen veçmas dhe të dorëzohen në një objekt riciklimi që nuk dëmton mjedisin.

Përdorimi i suvar

Vegla është prodhuar për t'u përdorur për prerjen e shkurreve.s

Zhurma

Niveli tipik i zhurmës A, i matur sipas EN62841-4-2:

Modeli DUH604S

Niveli i presionit të zhurmës (L_{pA}): 79,3 dB (A)

Niveli i fuqisë së zhurmës (L_{WA}): 90,3 dB (A)

Pasiguria (K): 3 dB (A)

Modeli DUH754S

Niveli i presionit të zhurmës (L_{pA}): 80,6 dB (A)

Niveli i fuqisë së zhurmës (L_{WA}): 91,6 dB (A)

Pasiguria (K): 3 dB (A)

Niveli i zhurmës mund të tejkalojë 80 dB (A).

SHËNIM: Vlerat e deklaruar totale të emetimeve të zhurmës janë matur sipas një metode standarde testimi dhe mund të përdoren për të krahasuar një vegël me një tjetër.

SHËNIM: Vlerat e deklaruar të emetimeve të zhurmës mund të përdoren për një vlerësim paraprak të ekspozimit.

▲PARALAJMËRIM: Mbani mbrojtëse për veshët.

▲PARALAJMËRIM: Emetimet e zhurmës gjatë përdorimit aktual të veglës elektrike mund të ndryshojnë nga vlerat e deklaruar në varësi të mënyrave sesi përdoret vegla, veçanërisht nga lloji i materialit të punës që përdoret.

▲PARALAJMËRIM: Vërtetoni që masat e sigurisë për mbrojtjen e përdoruesit bazohen në vlerësimin e ekspozimit ndaj kushteve aktuale të përdorimit (duke marrë parasysh të gjitha pjesët e ciklit të funksionimit si ato kur pajisja është e fikur dhe punon pa prerë ashtu edhe kohën e përdorimit).

Dridhja

Vlera totale e dridhjeve (shuma e vektorit me tre akse) përcaktohet sipas EN62841-4-2:

Modeli DUH604S

Emetimi i dridhjeve (a_h): 2,5 m/s² ose më pak
Pasiguria (K): 1,5 m/s²

Modeli DUH754S

Emetimi i dridhjeve (a_h): 2,5 m/s² ose më pak
Pasiguria (K): 1,5 m/s²

SHËNIM: Vlerat e deklaruar totale të dridhjeve janë matur sipas një metode standarde testimi dhe mund të përdoren për të krahasuar një vegël me një tjetër.

SHËNIM: Vlerat e deklaruar totale të dridhjeve mund të përdoren për një vlerësim paraprak të ekspozimit.

▲PARALAJMËRIM: Emetimet e dridhjeve gjatë përdorimit aktual të veglës elektrike mund të ndryshojnë nga vlerat e deklaruar në varësi të mënyrave sesi përdoret vegla, veçanërisht nga lloji i materialit të punës që përdoret.

▲PARALAJMËRIM: Vërtetoni që masat e sigurisë për mbrojtjen e përdoruesit bazohen në vlerësimin e ekspozimit ndaj kushteve aktuale të përdorimit (duke marrë parasysh të gjitha pjesët e ciklit të funksionimit si ato kur pajisja është e fikur dhe punon pa prerë ashtu edhe kohën e përdorimit).

Deklarata e konformitetit me KE-në

Vetëm për shtetet evropiane

Deklarata e konformitetit me KE-në përfshihet si Shtojca A në këtë manual përdorimi.

PARALAJMËRIME SIGURIE

Paralajmërimet e përgjithshme për sigurinë e veglës

▲PARALAJMËRIM: Lexoni të gjitha paralajmërimet për sigurinë, udhëzimet, ilustrimet dhe specifikimet e dhëna me këtë vegël elektrike. Mosndjekja e të gjitha udhëzimeve të renditura më poshtë mund të shkaktojë goditje elektrike, zjarr dhe/ose lëndim të rëndë.

Ruajini të gjitha paralajmërimet dhe udhëzimet për të ardhmen.

Termi "vegël elektrike" në paralajmërimet referohet veglës elektrike që përdoret e lidhur në prizë (me kordon) ose veglës së përdorur me bateri (pa kordon).

Paralajmërimet e sigurisë për prerësin e shkurreve me bateri

- Mbajini të gjitha pjesët e trupit larg fletës. Mos e largoni materialin e prerë dhe mos e mbani materialin që do të prisni kur fletët janë në lëvizje.** Fletët vazhdojnë të rrotullohen pasi çelësi të jetë fikur. Një moment pakujdesie gjatë përdorimit të prerësit të shkurreve mund të shkaktojë lëndim të rëndë personal.
- Transportojeni prerësin e shkurreve nga doreza me fletën të ndaluar dhe kujdesuni që të mos e vini në punë çelësin e energjisë.** Transportimi i duhur i prerësit të shkurreve do të ulë rrezikun e nisjes aksidentale dhe lëndimeve personale rezultuese nga fletët.
- Vendosni gjithmonë kapakun e fletës gjatë transportimit ose ruajtjes së prerësit të shkurreve.** Përdorimi i duhur i prerësit të shkurreve do të reduktojë rrezikun e lëndimit personal nga fletët.
- Gjatë pastrimit të materialit të ngecur ose shërbimit të njësisë, sigurohuni që të gjithë çelësat të jenë të fikur dhe paketa e baterisë të jetë e hequr ose e shkëputur.** Aktivizimi i papritur i prerësit të shkurreve gjatë pastrimit të materialit të ngecur ose shërbimit mund të rezultojë në lëndime të rënda personale.
- Mbajeni prerësin e shkurreve vetëm te sipërfaqet e izoluar të kapjes sepse fleta mund të prekë tela të fshehur.** Nëse fletët prekin një tel me rrymë atëherë pjesët metalike të prerësit të shkurreve elektrizohen dhe mund t'i japin përdoruesit goditje elektrike.
- Mbajini të gjithë kordonët e energjisë dhe kabllot larg nga zona e prerjes.** Kordonët e energjisë ose kabllot mund të fshihen në gëmusha ose shkurre dhe mund të priten aksidentalisht nga fleta.
- Mos e përdorni prerësin e shkurreve në kushte të këqija atmosferike, veçanërisht kur ka rrezik për vetëtimat.** Kjo redukton rrezikun e goditjes nga vetëtimat.

Udhëzime shtesë mbi sigurinë

Përgatitja

1. Kontrolloni kaçubat dhe shkurret për objekte të huaja, si p.sh. gardhe me tela ose instalime elektrike të fshehura përpara se të përdorni veglën.
2. Vegla nuk duhet të përdoret nga fëmijët ose nga personat nën 18 vjeç. Të rinjtë mbi 16 vjeç mund të përjashtohen nga ky kufizim nëse trajnohen nën mbikëqyrjen e një eksperti.
3. Përdoruesit fillestarë duhet të kenë pranë një përdorues me përvojë që t'u tregojë si përdoret vegla.
4. Përdorimi i veglës vetëm nëse jeni në gjendje të mirë fizike. Vëmendja reduktohet nëse jeni të lodhur. Tregohuni veçanërisht të kujdesshëm në fund të ditës së punës. Kryejini të gjitha punët me qetësi dhe kujdes. Përdoruesi është përgjegjës për të gjitha dëmtimet ndaj palëve të treta.
5. Asnjëherë mos e përdorni veglën nën ndikimin e alkoolit, drogave ose mjekimeve.
6. Dorezat e punës prej lëkure të fortë janë pjesë e pajisjeve bazë të veglës dhe duhet të vishen gjithmonë gjatë përdorimit të saj. Mbani gjithashtu këpucë të forta me shuall kundër rrëshqitjes.
7. Përpara se të filloni punën, kontrolloni për t'u siguruar që vegla është në gjendje pune të mirë dhe të sigurt. Sigurohuni që mbrojtëset janë vendosur siç duhet. Vegla nuk duhet të përdoret nëse nuk është montuar plotësisht.

Përdorimi

1. Mbajeni veglën fort me të dyja duart gjatë përdorimit.
2. Vegla është e destinuar për t'u përdorur nga përdoruesi në nivel toke. Mos e përdorni veglën mbi shkallë apo mbështetje të tjera të paqëndrueshme.
3. Mos mbani njëkohësisht disa rripa brezi dhe/ose rripa krahu kur përdorni veglën.
4. RREZIK - Mbajeni duart larg fletës. Kontakti me fletën do të rezultojë në lëndim të rëndë personal.
5. Mos e përdorni veglën në shi ose në kushte shumë të lagështa. Motori elektrik nuk është rezistues ndaj ujit.
6. Sigurohuni që keni mbështetje të sigurt të këmbëve përpara se të filloni punën.
7. Mos e përdorni veglën pa ngarkesë nëse nuk është e nevojshme.
8. Fikeni menjëherë veglën dhe hiqni kutinë e baterisë nëse fletët e gërshërëve prekin ndonjë gardh ose objekt tjetër të fortë. Kontrolloni fletët për dëmtim dhe riparojini menjëherë fletët nëse janë dëmtuar.
9. Fikeni gjithmonë veglën dhe hiqni kutinë e baterisë përpara se të kontrolloni fletët e gërshërëve, të ndreqni defektet ose të hiqni materialet e ngacura te vegla.
10. Asnjëherë mos i drejtoni fletët e gërshërëve ndaj vetes ose të tjerëve.
11. Nëse fletët ndalojnë lëvizjen për shkak të ngecjes së objekteve të huaja mes fletëve gjatë përdorimit, fikni veglën dhe hiqni kutinë e baterisë, më pas hiqni objektet e huaja duke përdorur vegla të tilla si pincat. Heqja e objekteve të huaja me dorë mund të shkaktojë plagosje për arsye se fletët mund të lëvizin si reagim ndaj heqjes së objekteve të huaja.

12. Shmangni mjediset e rrezikshme. Mos e përdorni veglën në vende të lagështa ose të lagura dhe mos e ekspozoni ndaj shiut. Uji që hyn në vegël mund të rrisë rrezikun e goditjeve elektrike.

Mirëmbajtja dhe ruajtja

1. Fikeni gjithmonë veglën dhe hiqni kutinë e baterisë përpara se të kryeni mirëmbajtje.
2. Hiqni gjithmonë kutinë e baterisë dhe vendosni kapakun e fletëve mbi fletët e gërshërëve gjatë lëvizjes së veglës në një vend tjetër apo gjatë punës. Asnjëherë mos e mbani ose mos e transportoni veglën ndërkohë që fletët janë në punë. Mos i kapni asnjëherë fletët me duar.
3. Pastrojeni veglën dhe sidomos fletët e gërshërëve pas përdorimit dhe përpara se ta magazinoni veglën për periudha të gjata kohore. Lyeni fletët pak me vaj dhe vendosni kapakun e fletës.
4. Ruajeni veglën në një dhomë të thatë, me kapakun e fletës të vendosur. Mbajeni larg fëmijëve. Mos e ruani asnjëherë veglën jashtë.
5. Mos e hidhni baterinë(të) në zjarr. Ajo mund të shpërthejë. Kontrolloni kodet vendore për udhëzime të mundshme të veçanta të hedhjes.
6. Mos e hapni dhe mos e shformoni baterinë(të). Elektroliti i çliruar është gërryes dhe mund të dëmtojë sytë ose lëkurën. Ai mund të jetë toksik nëse gëlltitet.
7. Mos e karikoni baterinë në shi ose në vende të lagura.

RUAJINI KËTO UDHËZIME.

▲ PARALAJMËRIM: MOS lejoni që njohja ose familjarizimi me produktin (të fituara nga përdorimi i shpeshhtë) të zëvendësojnë zbatimin me përpikëri të rregullave të sigurisë për produktin në fjalë. KEQPËRDORIMI ose mosndjekja e rregullave të sigurisë të dhëna në këtë manual përdorimi mund të shkaktojë dëmtime të rënda personale.

Udhëzime të rëndësishme rreth sigurisë për kutinë e baterisë

1. Përpara se ta përdorni kutinë e baterisë, lexoni të gjitha udhëzimet dhe shënimet e masave parandaluese të (1) ngarkuesit e baterisë, (2) bateria dhe (3) produkti që përdor baterinë.
2. Mos e çmontoni ose dëmtoni kutinë e baterisë. Kjo mund të shkaktojë zjarr, nxehësi të lartë ose shpërthim.
3. Nëse koha e përdorimit është shkurtuar jashtë mase, ndalojeni punën menjëherë. Kjo mund të rezultojë në rrezik mbinxehjeje, djegie të mundshme, madje edhe shpërthim.
4. Nëse ju futen elektrolitë në sy, shpëlajini sytë me ujë të pastër dhe kërkoni ndihmë mjekësore menjëherë. Kjo gjë mund të rezultojë në humbje të shikimit.
5. Mos bëni lidhje të shkurtër me kutinë e baterisë:
 - (1) Mos i prekni terminalet me materiale përcjellëse.
 - (2) Shmangni ruajtjen e kutisë së baterisë në një kuti me objekte të tjera metalike, si gozdhe, monedha etj.
 - (3) Mos e ekspozoni kutinë e baterisë në ujë ose shi.

Qarku i shkurtër i baterisë mund të shkaktojë qarkullim të madh të rrymës elektrike, mbinxehje, djegie të mundshme dhe madje prishje.

6. Mos e ruani dhe mos e përdorni pajisjen dhe kutinë e baterisë në vende ku temperatura mund të arrijë ose tejkalojë 50 °C (122 °F).
7. Mos e digjini kutinë e baterisë, edhe nëse është shumë e dëmtuar ose është konsumuar plotësisht. Kutia e baterisë mund të shpërthejë në zjarr.
8. Mos e shponi, pritni, shtypni, hidhni apo rrezoni kutinë e baterisë apo ta goditni kutinë e baterisë me një objekt të fortë. Një sjiellje e tillë mund të shkaktojë zjarr, nxehtësi të lartë ose shpërthim.
9. Mos përdorni bateri të dëmtuar.
10. Bateritë e përfshira të litiumit, u nënshtrohen kërkesave të legjislacionit për mallrat e rrezikshme. Për transport tregtar p.sh. nga palë të treta, agjentë të ndërmjetëm, duhet të ndiqen kërkesa specifike mbi paketimin dhe etiketimin. Për përgatitjen e artikullit për transport, është i nevojshëm konsultimi i një eksperti për materiale të rrezikshme. Ju lutemi, ndiqni gjithashtu rregulloret me gjasë më të detajuara vendore. Mbuloni me ngjytëse ose maskoni kontaktet e zhveshura dhe paketojeni baterinë në mënyrë të tillë që të mos lëvizë në paketim.
11. Kur hidhni kutinë e baterisë, hiqeni nga vegla dhe hidhni në një vend të sigurt. Zbatoni rregulloret lokale rreth hedhjes së baterisë.
12. Përdorini bateritë vetëm me produktet e specifikuar nga Makita. Instalimi i baterive në produkte të papajtueshme mund të rezultojë në zjarr, nxehtësi të lartë, shpërthim ose rrjedhje të elektroliteve.
13. Nëse vegla nuk përdoret për një periudhë të gjatë kohe, bateria duhet të hiqet nga vegla.
14. Gjatë dhe pas përdorimit, kutia e baterisë mund të nxehet, gjë që mund të shkaktojë djegie ose djegie në temperaturë të ulët. Tregoni kujdes gjatë manovrimit të kutive të nxehta të baterive.
15. Mos prekni terminalin e veglës menjëherë pas përdorimit pasi mund të nxehet aq shumë sa të shkaktojë djegie.
16. Mos lejoni që grumbullimin e ashklave, pluhurave ose papastërtive në terminalet, vrimat ose kanalet e kutisë së baterisë. Kjo mund të shkaktojë rendiment të ulët ose dëmtim të veglës ose të kutisë së baterisë.
17. Përveç kur vegla e mbështet përdorimin pranë linjave elektrike me voltazh të lartë, mos e përdorni kutinë e baterisë pranë linjave elektrike me voltazh të lartë. Kjo mund të shkaktojë një defekt ose dëmtim të veglës ose të kutisë së baterisë.
18. Mbajeni baterinë larg fëmijëve.

RUAJINI KËTO UDHËZIME.

▲KUJDES: Përdorni vetëm bateri origjinale Makita. Përdorimi i baterive jo-origjinale Makita ose baterive që mund të jenë modifikuar, mund të rezultojë në marrjen flakë të baterisë, lëndime personale apo dëmtime. Kjo do të anulohet gjithashtu edhe garancinë e Makita-s për veglën e Makita-s dhe ngarkuesin.

Këshilla për të ruajtur jetëgjatësinë maksimale të baterisë

1. Ngarkojeni baterinë përpara se të shkarkohet plotësisht. Gjithmonë ndaloni punën me pajisjen dhe ngarkoni baterinë kur vëreni ulje të fuqisë së pajisjes.
2. Asnjëherë mos e ringarkoni baterinë e ngarkuar plotësisht. Mbingarkimi shkurton jetëgjatësinë e shërbimit të baterisë.
3. Ngarkojeni baterinë në temperaturën e dhomës në 10 °C - 40 °C. Lëreni kutinë e nxehtë të baterisë të ftohet përpara se ta ngarkoni atë.
4. Kur nuk e përdorni kutinë e baterisë, hiqeni atë nga vegla ose karikuesi.
5. Ngarkojeni baterinë nëse nuk e përdorni për një kohë të gjatë (mbi gjashtë muaj).

PËRSHKRIMI I PUNËS

▲KUJDES: Sigurohuni gjithmonë që vegla të jetë e fikur dhe kutia e baterisë të jetë hequr përpara se ta rregulloni apo t'i kontrolloni funksionet e veglës.

Instalimi ose heqja e kutisë së baterisë

▲KUJDES: Fikeni gjithmonë veglën përpara se të instaloni ose hiqni kutinë e baterisë.

▲KUJDES: Mbajeni fort veglën dhe kutinë e baterisë kur montoni ose hiqni kutinë e baterisë. Mosmbajta fort e veglës dhe e kutisë së baterisë mund të bëjë që t'ju rrëshqasin nga duart dhe të shkaktojë dëmtim të veglës dhe të kutisë së baterisë, si dhe lëndim personal.

► Fig.1: 1. Treguesi i kuq 2. Butoni 3. Kutia e baterisë

Për të hequr kutinë e baterisë, rrëshqiteni atë nga vegla ndërsa rrëshqisni butonin në pjesën e përparme të kutisë së baterisë.

Për të vendosur kutinë e baterisë, bashkërenditni gjuhëzën e kutisë së baterisë me kanalin e folesë dhe rrëshqiteni për ta futur. Futeni deri në fund, derisa të kërçasë dhe të bllokohet në vend. Nëse shikoni treguesin e kuq në anën e sipërme të butonit, ajo nuk është e bllokuar plotësisht.










▲KUJDES: Vendoseni gjithnjë plotësisht kutinë e baterisë derisa treguesi i kuq të mos duket. Në të kundërt, ajo mund të bjerë aksidentalisht nga vegla duke ju lënduar juve ose personin pranë jush.

▲KUJDES: Mos e vendosni me forcë kutinë e baterisë. Nëse kutia nuk hyn lehtë, nuk po e futni siç duhet.

Treguesi i kapacitetit të mbetur të baterive

Vetëm për kuti baterie me llambë

► **Fig.2:** 1. Llambat treguese 2. Butoni i kontrollit
Shtypni butonin e kontrollit në kutinë e baterisë për të treguar kapacitetin e mbetur të baterisë. Llambat treguese ndizen për pak sekonda.

Llambat treguese			Kapaciteti i mbetur
			
			75% deri 100%
			50% deri 75%
			25% deri 50%
			0% deri 25%
			Ngarkojeni baterinë.
			Llambushka mund të ketë keqfunksionuar.




SHËNIM: Në varësi të kushteve të përdorimit dhe të temperaturës së ambientit, treguesi mund të ndryshojë paksa nga kapaciteti aktual.

SHËNIM: Llamba e parë e treguesit (në fund majtas) do të pulsojë kur sistemi i mbrojtjes së baterisë është në punë.

Rregullimi i shpejtësisë








Shpejtësinë e veglës mund ta rregulloni duke shtypur butonin kryesor të ndezjes. Çdo herë që shtypni butonin kryesor të ndezjes, ndryshon niveli i shpejtësisë.

► **Fig.3:** 1. Treguesi i shpejtësisë 2. Butoni kryesor i ndezjes

Treguesi	Modaliteti	Shpejtësia e goditjes
	E lartë	4 400 min ⁻¹
	Mesatare	3 600 min ⁻¹
	E ulët	2 000 min ⁻¹

Sistemi i mbrojtjes së veglës/baterisë

Vegla është e pajisur me një sistem të mbrojtjes së veglës/baterisë. Ky sistem ndërpret automatikisht energjinë në motor për të zgjatur jetëgjatësinë e veglës dhe baterisë. Vegla do të ndalojë automatikisht gjatë punës nëse vegla ose bateria janë vendosur sipas një prej kushteve të mëposhtme:

Statusi	Llambat treguese		
			
Mbingarkesë			
Mbinxehje			
Mbishkarkesë			

Mbrojtja nga mbingarkesa

Nëse vegla është e mbingarkuar nga degët ose mbeturina të tjera të ngecura në të, treguesit "2" dhe "3" fillojnë të pulsojnë dhe vegla ndalon automatikisht. Në këtë situatë, fikeni veglën dhe ndaloni punën që shkaktoi mbingarkesën e veglës. Pastaj ndizeni veglën për ta rinisur.

VINI RE: Në varësi të kushteve të përdorimit, vegla fiket automatikisht pa shfaqur tregues nëse vegla mbingarkohet nga degët apo mbetjet e ngecura. Në këtë rast, fikeni veglën dhe hiqni kutinë e baterisë, më pas hiqni degët ose mbetjet e ngecura duke përdorur vegla të tilla si pincat. Pas heqjes së degëve ose mbetjeve, instaloni kutinë e baterisë dhe ndizeni sërish veglën.

Mbrojtja e veglës ose e baterisë nga mbinxehja

Ka dy lloje mbinxehjeje; mbinxehja e veglës dhe mbinxehja e baterisë. Kur ka mbinxehje të veglës, pulsojnë të gjithë treguesit e shpejtësisë. Kur ka mbinxehje të baterisë, pulson treguesi "4". Nëse ka mbinxehje, vegla ndalon automatikisht. Lëreni veglën dhe/ose baterinë të ftohet përpara se ta ndizeni sërish veglën.

Mbrojtja nga mbishkarkimi

Kur kapaciteti i baterisë ulet, vegla ndalon automatikisht dhe pulson treguesi "1". Nëse vegla nuk funksionon as kur përdoren çelësat, hiqni baterinë nga vegla dhe karikojeni baterinë.

Veprimi i ndryshimit të energjisë

▲ PARALAJMËRIM: Për sigurinë tuaj, kjo vegël është pajisur me një levë e cila parandalon nisjen aksidentale të veglës. **ASNJËHERË mos e përdorni veglën nëse ndizet kur thjesht tërhiqni këmbëzat e çelësit, pa shtypur levën. Çojeni veglën në qendrën tonë të autorizuar të shërbimit për riparimet e duhura PËRPARA përdorimit të mëtejshëm.**

▲ PARALAJMËRIM: ASNJËHERË mos e pengoni qëllimin dhe funksionin e levës.

▲ PARALAJMËRIM: Përpara se të vendosni kutinë e baterisë në vegël, kontrolloni gjithmonë për të parë nëse këmbëzat e çelësit dhe leva aktivizohen siç duhet dhe kthehen në pozicionin "OFF" (fikur) kur lëshohen. Përdorimi i veglës me një çelës që nuk funksionon siç duhet mund të çojë në humbje të kontrollit dhe lëndim të rëndë personal.

▲ KUJDES: Mos e vendosni kurrë gishtin te këmbëzat e çelësit gjatë transportit. Vegla mund të ndizet pa dashje dhe t'ju lëndojë.

VINI RE: Mos e tërhiqni fort këmbëzën e çelësit pa shtypur levën. Kjo mund të shkaktojë thyerjen e çelësit.

Për të ndezur veglën, shtypni butonin kryesor të ndezjes. Llamba e energjisë ndizet kur vegla ndizet. Për ta fikur veglën, shtypni dhe mbani shtypur butonin kryesor të ndezjes. Llamba e energjisë fiket kur vegla fiket.

► **Fig.4:** 1. Llamba e rrymës 2. Butoni kryesor i ndezjes

SHËNIM: Vegla fiket automatikisht nëse lihet pa përdorur për një periudhë të caktuar.

Për të parandaluar tërheqjen aksidentale të këmbëzës së çelësit, vegla është pajisur me levë. Për ta ndezur veglën, tërhiqni këmbëzën e përparmë të çelësit dhe më pas tërhiqni këmbëzën e pasmë të çelësit ndërkohë që shtypni levën. Kur lëshoni një prej këmbëzave të çelësit, vegla ndalon.

► **Fig.5:** 1. Leva 2. Këmbëza e pasme e çelësit 3. Këmbëza e përparme e çelësit

Butoni i rrotullimit mbrapsht për heqjen e mbeturinave

▲ PARALAJMËRIM: Nëse degët apo mbetjet e ngecura nuk mund të hiqen me funksionin e lëvizjes mbrapsht, fikeni veglën dhe hiqni kutinë e baterisë, më pas hiqni degët ose mbetjet e ngecura duke përdorur vegla të tilla si pincat. Mosfikja e veglës dhe mosheqja e kutisë së baterisë mund të rezultojnë në lëndim të rëndë personal për shkak të ndezjes aksidentale. Heqja e degëve ose e mbetjeve të ngecura me dorë mund të shkaktojë lëndim, duke qenë se fletët e gërshtëreve mund të lëvizin si kundërveprim ndaj heqjes së tyre.

Vegla ka një buton lëvizjeje mbrapsht për të ndryshuar drejtimin e lëvizjes së fletëve të gërshtëreve. Ai shërben vetëm për heqjen e degëve dhe mbetjeve të ngecura në vegël. Për të kthyer lëvizjen e fletëve të gërshtëreve, shtypni butonin e lëvizjes mbrapsht kur fletët e gërshtëreve të kenë ndaluar, më pas tërhiqni këmbëzën e përparme të çelësit, dhe më pas tërhiqni këmbëzën e pasme të çelësit ndërkohë që shtypni levën. Llamba e energjisë fillon të pulsojë dhe fletët e gërshtëreve lëvizin në drejtimin e lëvizjes mbrapsht. Kur hiqen degët dhe mbetjet e ngecura, vegla i kthehet lëvizjes së rregullt dhe llamba e energjisë ndalon pulsimin dhe ndizet.

► **Fig.6:** 1. Llamba e rrymës 2. Butoni i rrotullimit mbrapsht

SHËNIM: Nëse degët ose mbetjet e ngecura nuk mund të hiqen, lironi këmbëzat e çelësit, më pas shtypni butonin e kthimit, dhe më pas tërhiqni këmbëzat e çelësit derisa ato të hiqen.

SHËNIM: Nëse shtypni butonin e lëvizjes mbrapsht gjatë kohës që fletët e gërshtëreve janë ende duke lëvizur, vegla ndalet dhe është gati për lëvizjen mbrapsht.

MONTIMI

▲ KUJDES: Sigurohuni gjithmonë që vegla të jetë e fikur dhe kutia e baterisë të jetë hequr përpara se të kryeni ndonjë punë në vegël.

▲ KUJDES: Gjatë ndërrimit të fletëve të gërshtëreve, mbani gjithmonë dorëza në mënyrë që duart të mos kenë kontakt të drejtpërdrejtë me fletët.

VINI RE: Kur zëvendësoni fletët e gërshtëreve, mos e fshini grason nga ingranazhi dhe nga mekanizmi i ndezjes.

Instalimi ose heqja e fletëve të gërshtëreve

▲ KUJDES: Vendosni kapakun e fletëve përpara se të hiqni ose të instaloni fletët e gërshtëreve.

Ju mund të instaloni fletë gërshtëresh 600 mm ose 750 mm në veglën tuaj.

SHËNIM: Nëse ndryshoni fletët e gërshtëreve me fletë me gjatësi të ndryshme, zëvendësoni mbledhësin e ashklave me një që u përshtatet fletëve.

1. Hiqni katër vidat (për DUH604S) ose pesë vidat (për DUH754S) dhe më pas hiqni mbledhësin e ashklave nga vegla.
► **Fig.7:** 1. Mbledhësi i ashklave 2. Vida

2. Vendosni veglën me kokë poshtë, më pas hiqni gjashtë bulonat.
► **Fig.8:** 1. Buloni

3. Hiqni kapakun dhe pllakëzën.
► **Fig.9:** 1. Kapaku 2. Pllakëza

SHËNIM: Pllakëza mund të qëndrojë mbi kapak.

4. Hiqni shufrën dhe kushinetën.
► **Fig.10:** 1. Shufra 2. Kushineta

SHËNIM: Shufra ose kushineta mund të qëndrojnë mbi kapak.

5. Hiqni tre vidat, tre bokullat dhe pllakën me shajak dhe më pas hiqni fletët e gërshtëre.

► **Fig.11:** 1. Vida 2. Bokulla 3. Pllaka me shajak
4. Fletët e gërshtëre

VINI RE: Kini kujdes të mos lironi vidat.

6. Hiqni kapakun e fletëve dhe më pas vendoseni te fletët e reja të gërshtëre.

► **Fig.12**

7. Rregulloni mekanizmin e ndezjes në mënyrë që dyja vrimat të renditen me vijën e bashkërenditjes.

► **Fig.13:** 1. Vrima 2. Vija e bashkërenditjes

8. Bashkërenditni pjesët e dala në fletët e gërshtëre vertikalisht në të njëjtin pozicion.

► **Fig.14:** 1. Pjesa e dalë

9. Vidën e hequr në hapin 5 futeni në vrimën në fletët e gërshtëre për t'i fiksuar ato përkohësisht dhe më pas vendosni pllakën me shajak në fletët e gërshtëre.

► **Fig.15:** 1. Vida 2. Pllaka me shajak 3. Vrima

10. Futni pjesën e dalë në fletët e gërshtëre në vrimën në bosht, më pas bashkërenditni pozicionin e pllakës me shajak me vrimat në vegël. Vendosni dy bokullat e reja.

► **Fig.16:** 1. Pllaka me shajak 2. Pjesa e dalë 3. Vrima
4. Bokulla

VINI RE: Aplikoni një sasi të vogël grasoje në pjesën periferike të brendshme të vrimës së shufrës.

VINI RE: Kini kujdes të mos lironi bokullat.

11. Bashkërenditni vrimat te bokullat dhe në fletët e gërshtëre me vrimat në vegël dhe më pas mbërtheni dy vida për t'i fiksuar fletët e gërshtëre përkohësisht.

► **Fig.17:** 1. Vida

12. Bashkoni një bokull të re.

► **Fig.18:** 1. Bokulla

13. Hiqni vidën e futur në vrimën në fletët e gërshtëre në hapin 9 e më pas mbërtheni vidën me bokullat për të fiksuar fletët e gërshtëre.

► **Fig.19:** 1. Vida

14. Shtërngoni fort vidat që ishin fiksuar përkohësisht në hapin 11.

15. Bashkoni kushinetën dhe shufrën.

► **Fig.20:** 1. Shufra 2. Vrima e vogël 3. Kushineta

VINI RE: Aplikoni një sasi të vogël grasoje në pjesën periferike të brendshme të vrimës së vogël të shufrës.

VINI RE: Sigurohuni që pjesa e dalë e fletëve të gërshtëre të përputhet me vrimën e vogël në shufrë.

16. Bashkoni pllakëzën.

► **Fig.21:** 1. Pjesa e dalë 2. Pllakëza

VINI RE: Sigurohuni që pjesa e dalë e fletëve të gërshtëre të përputhet me vrimën në pllakëzë.

17. Bashkoni kapakun dhe më pas shtërngoni gjashtë bulonat.

► **Fig.22:** 1. Buloni 2. Kapaku

18. Vendosni mbledhësin e ashklave te vegla duke mbërthyer katër vidat (për DUH604S) ose pesë vidat (për DUH754S).

► **Fig.23:** 1. Mbledhësi i ashklave 2. Vida

VINI RE: Nëse fletët e gërshtëre nuk lëvizin mirë, fletët e gërshtëre nuk janë lidhur me shufrat siç duhet. Instaloni sërish fletët e gërshtëre.

VINI RE: Nëse pjesët ndryshe nga fletët e gërshtëre, si p.sh. shufrat, janë konsumuar, pyesni pranë Qendrave të autorizuara të shërbimit të Makita për pjesë këmbimi ose riparime.

Heqja ose instalimi i mbledhësit të ashklave

▲KUJDES: Gjatë instalimit ose heqjes së mbledhësit të ashklave, mbani gjithmonë doreza në mënyrë që duart të mos kenë kontakt të drejtpërdrejtë me fletët e gërshtëre.

Mbledhësi i ashklave mbledh gjethet e hedhura dhe e bën pastrimin më pas shumë më të lehtë.

Për të hequr mbledhësin e ashklave, hiqni katër vidat (për DUH604S) ose pesë vidat (për DUH754S) dhe më pas hiqni mbledhësin e ashklave nga vegla. Për të instaluar mbledhësin e ashklave, ndiqni procedurën e anasjelltë të heqjes.

► **Fig.24:** 1. Mbledhësi i ashklave 2. Vida

PËRDORIMI

▲PARALAJMËRIM: Mabajni duart larg fletëve të gërshtëre.

▲KUJDES: Shmangni përdorimin e veglës në mot shumë të nxehtë sa më shumë që të jetë e mundur. Tregoni kujdes për gjendjen tuaj fizike gjatë përdorimit të veglës.

▲KUJDES: Bëni kujdes të mos prekni aksidentalisht ndonjë gardh metalik ose objekte të tjera të forta gjatë prerjes. Fletët e gërshtëre do të thyhen dhe mund të shkaktojnë lëndim.

▲KUJDES: Kini kujdes të mos lejoni që fletët e gërshtëre të kontaktojnë me tokën. Vegla do të zbrapset dhe mund të shkaktojnë lëndim.

▲KUJDES: Është shumë e rrezikshme të zgjateni me prerësin e shkurreve, veçanërisht nga një shkallë. Mos punoni ndërsa qëndroni në këmbë mbi ndonjë vend i lëvizshëm ose të paqëndrueshëm.

VINI RE: Mos provoni të prisni degë më të trasha se 10 mm në diametër me veglën. Pritini paraprakisht degët 10 cm më ulët se lartësia e prerjes duke përdorur prerëse degësh përpara se të përdorni veglën.

► **Fig.25:** (1) Lartësia e prerjes (2) 10 cm

VINI RE: Mos pritni pemë të thata ose objekte të ngjashme të forta. Duke vepruar kështu mund të dëmtoni veglën.

VINI RE: Mos pritni bar ose barishte gjatë përdorimit të fletëve të gërshërëve. Fletët e gërshërëve mund të ngecin nëpër bar ose barishte.

Mbajeni dorezën e përparme me dorën e djathtë dhe dorezën e pasme me dorën e majtë. Tërhiqni këmbëzën e përparme të çelësit, më pas tërhiqni këmbëzën e pasme të çelësit ndërkohë që shtypni levën dhe më pas lëvizeni veglën përpara.

► Fig.26

Për përdorim bazë, anoni fletët e gërshërëve në drejtimin e prerjes dhe lëvizeni lehtë dhe ngadalë me shpejtësi prej 3 deri 4 sekondash për metër.

► Fig.27

Për të prerë majën e një shkurreje në mënyrë të njëtrajtshme, lidhni një fije në lartësinë e dëshiruar dhe prisni përgjatë saj.

► Fig.28

Mbledhësi i ashklave mbledh gjithë dhe hedhura dhe e bën pastrimin më pas shumë më të lehtë.

► Fig.29

Për ta prerë pjesën anësore të shkurren në mënyrë të njëtrajtshme, pritni nga poshtë lart.

► Fig.30

Kur pritni për të bërë një formë të rrumbullakët (prejra e drurit të bushit ose të rododendrës, etj.), prisni nga rrënja deri lart për një paraqitje të bukur.

► Fig.31

MIRËMBAJTJA

▲KUJDES: Sigurohuni gjithmonë që vegla të jetë fikur dhe të jetë hequr nga bateria përpara se të kryeni inspektimin apo mirëmbajtjen.

Për të ruajtur SIGURINË dhe QËNDRUESHMËRINË, riparimet dhe çdo mirëmbajtje apo rregullim tjetër duhen kryer nga qendrat e autorizuara të shërbimit ose të shërbimit të fabrikës të Makita-s, duke përdorur gjithnjë pjesë këmbimi të Makita-s.

Pastrimi i veglës

Pastrojeni veglën duke e fshirë tallashin me një leckë të thatë ose me një të njomur me ujë me sapun dhe të shtrydhur.

VINI RE: Mos përdorni kurrë benzinë, benzinë pastrimi, hollues, alkool dhe të ngjashme. Mund të shkaktoni çngjyrosje, deformime ose krisje.

Mirëmbajtja e fletës së gërshërëve

Përpara përdorimit ose një herë në orë gjatë përdorimit, aplikoni te fletët e gërshërëve vaj me viskozitet të ulët (vaj makinerie ose vaj lubrifikues të llojit me sprucim).

► Fig.32

Pas përdorimit, hiqni tallashin nga fletët e gërshërëve me furçë me tela, fshijeni me një leckë dhe më pas aplikoni te fletët e gërshërëve vaj me viskozitet të ulët (vaj makinerie ose vaj lubrifikues të llojit me sprucim).

► Fig.33

VINI RE: Mos i lani fletët e gërshërëve me ujë. Duke vepruar kështu mund të shkaktohet ndryshkje ose dëmtim i veglës.

VINI RE: Papastërtitë dhe gërryerja shkaktojnë fërkim të tepërt të fletës dhe shkurtojnë kohën e funksionimit për çdo karikim baterie.

Ruajtja

Vrima e grepit në pjesën e poshtme të veglës është e përshtatshme për varjen e veglës te një gozhdë ose vidë në mur.

Hiqni kutinë e baterisë nga vegla dhe më pas vendosni kapakun e tehut në fletët e gërshërës në mënyrë që të mos ekspozohen tehet. Ruajeni veglën larg fëmijëve. Ruajeni veglën në vende që nuk janë të ekspozuara ndaj lagështirës dhe shiut.

► Fig.34: 1. Vrima

Konsumimi i fletëve të gërshërëve

VINI RE: Nëse fletët e gërshërëve janë të deformuara shumë nga konsumimi, ndërroni fletët e gërshërëve me të reja.

1. Instaloni kutinë e baterisë në vegël.
2. Ndizni dhe nisni veglën në mënyrë që fleta e sipërme dhe fleta e poshtme të pozicionohen në formë të alternuar.
- Fig.35
3. Fikeni veglën dhe hiqni kutinë e baterisë nga vegla.
4. Vendoseni këndin e limës në 45° dhe lëmoni fletën e sipërme nga 3 drejtime me limë.
- Fig.36: (1) Lima (2) 45°

▲KUJDES: Përpara lëmimit të fletëve të gërshërëve, sigurohuni që vegla të jetë e fikur dhe kutia e baterisë të jetë hequr nga vegla.

5. Vendoseni veglën me kokë poshtë, më pas hiqni cifat nga fletët e gërshërëve me gurin e lëmimit.
- Fig.37: 1. Guri i lëmimit
6. Vendoseni këndin e limës në 45° dhe lëmoni fletën e poshtme nga 3 drejtime me limë.
7. Kthejeni veglën në pozicionin normal, më pas hiqni cifat nga fletët e gërshërëve me gurin e lëmimit.

Lubrifikimi me graso

Intervali i lubrifikimit: Çdo 100 orë pune

1. Hiqni bulonin nga vrima për lubrifikim.
- Fig.38: 1. Buloni
2. Hiqni kapakun nga ena e grasos. Bashkërenditni daljen e enës së grasos me vrimën në kapak, më pas shtypeni daljen e enës së grasos në vrimë.
- Fig.39: 1. Ena e grasos 2. Vrima
3. Aplikoni grason në vegël (rreth 5 g si udhëzim).
4. Shtrengoni bulonin.

NDREQJA E DEFEKTEVE

Përpara se të kërkonti riparime bëni inspektimet tuaja. Nëse zbuloni ndonjë problem që nuk shpjegohet në manual, mos u mundoni të çmontoni veglën. Por për riparime drejtojueni Qendrave të Autorizuara të Shërbimit Makita, duke përdorur gjithmonë pjesë zëvendësuese Makita.

Gjendja anormale	Shkaku i mundshëm (keqfunksionimi)	Zgjidhja
Motori nuk punon.	Kutia e baterisë nuk është instaluar.	Instaloni kutinë e baterisë.
	Problem me baterinë (nën tension)	Rikarikoni baterinë. Nëse rikarikimi nuk është efikas, zëvendësoni baterinë.
	Sistemi i lëvizjes nuk funksionon mirë.	Kërkojini qendrës lokale të autorizuar të shërbimit që ta riparojë.
Motori ndali punën pas një përdorimi të vogël.	Niveli i karikimit të baterisë është i ulët.	Rikarikoni baterinë. Nëse rikarikimi nuk është efikas, zëvendësoni baterinë.
	Mbinxehja.	Ndaloni veglën që të ftohet.
Vegla nuk arrin RPM maksimale.	Bateria nuk është instaluar mirë.	Instaloni kutinë e baterisë siç përshkruhet në këtë manual.
	Fuqia e baterisë bie.	Rikarikoni baterinë. Nëse rikarikimi nuk është efikas, zëvendësoni baterinë.
	Sistemi i lëvizjes nuk funksionon mirë.	Kërkojini qendrës lokale të autorizuar të shërbimit që ta riparojë.
Fletët e gërshërëve nuk lëvizin: ⇒ ndalojeni menjëherë makinerinë!	Kanë ngecur objekte të huaja mes fletëve të gërshërëve.	1. Përdorni butonin e rrotullimit mbrapsht. 2. Fikeni veglën dhe hiqni kutinë e baterisë, më pas hiqni objektet e huaja duke përdorur vegla të tilla si pincat.
	Sistemi i lëvizjes nuk funksionon mirë.	Kërkojini qendrës lokale të autorizuar të shërbimit që ta riparojë.
Dridhje jonormale: ⇒ ndalojeni menjëherë makinerinë!	Fletët e gërshërëve janë thyer, përthyer ose konsumuar.	Zëvendësoni fletët e gërshërës.
	Sistemi i lëvizjes nuk funksionon mirë.	Kërkojini qendrës lokale të autorizuar të shërbimit që ta riparojë.
Fletët e gërshërëve dhe motori nuk ndalojnë: ⇒ Hiqni menjëherë baterinë!	Keqfunksionim elektrik.	Hiqni baterinë dhe kërkojini qendrës lokale të autorizuar të shërbimit që ta riparojë.

AKSESORË OPSIONALË

▲KUJDES: Këta aksesori ose shtojca rekomandohen për përdorim me veglën Makita të përcaktuar në këtë manual. Përdorimi i aksesorëve apo shtojcave të tjera ndryshe nga këto mund të përbëjë rrezik lëndimi. Aksesorët ose shtojcat përdorini vetëm për qëllimin e tyre të përcaktuar.

Nëse keni nevojë për më shumë të dhëna në lidhje me aksesorët, pyesni qendrën vendore të shërbimit të Makita-s.

- Grupi i fletëve të gërshërëve
- Mbledhësi i ashklave
- Ena e grasos
- Bateri dhe ngarkues origjinal Makita

SHËNIM: Disa artikuj të listës mund të përfshihen në paketën e veglës si aksesori standardë. Ato mund të ndryshojnë nga njëri shtet në tjetrin.

СПЕЦИФИКАЦИИ

Модел:	DUH604S	DUH754S
Дължина на острието	600 мм	750 мм
Работни движения в минута	2 000 / 3 600 / 4 400 мин ⁻¹	
Обща дължина	1 061 мм	1 200 мм
Номинално напрежение	Постоянно напрежение 18 V	
Нетно тегло	3,4 - 3,9 кг	

- Поради нашата непрекъсната научно-развойна дейност посочените тук спецификации могат да бъдат променени без предизвестие.
- Спецификациите може да са различни в различните държави.
- Теглото може да се различава в зависимост от принадлежността(ите), включително акумулаторната батерия. Най-леката и най-тежката комбинация в съответствие с процедурата на ЕРТА 01/2014 са показани в таблицата.

Приложима акумулаторна батерия и зарядно устройство

Акумулаторна батерия	BL1815N / BL1820 / BL1820B / BL1830 / BL1830B / BL1840 / BL1840B / BL1850 / BL1850B / BL1860B
Зарядно устройство	DC18RC / DC18RD / DC18RE / DC18SD / DC18SE / DC18SF / DC18SH

- Някои от акумулаторните батерии и зарядните устройства, посочени по-горе, може да не са налични в зависимост от региона на местоживеене.

▲ ПРЕДУПРЕЖДЕНИЕ: Използвайте само посочените по-горе акумулаторни батерии и зарядни устройства. Използването на други акумулаторни батерии и зарядни устройства може да причини нараняване и/или пожар.

Препоръчан адаптер за акумулаторна батерия

Адаптер за акумулаторни батерии	PDC01
---------------------------------	-------

- Адаптерът(ите) за акумулаторна батерия, посочен(и) по-горе, може да не е(са) наличен(и) в зависимост от региона на местоживеене.
- Преди да използвате адаптера за акумулаторна батерия, прочетете инструкциите и предупредителните маркировки на адаптера за акумулаторната батерия.

Символи

По-долу са описани символите, които може да се използват за тази машина. Задължително е да се запознаете с техните значения, преди да пристъпите към работа.



Прочетете ръководството за експлоатация.



Да не се излага на въздействието на влага.



Пазете се от прищипване.



Носете предпазни очила.



Ni-MH
Li-Ion

Само за страни от ЕС
Не изхвърляйте електрооборудване или акумулаторни батерии с битовите отпадъци!
При спазване на Европейската директива относно отпадъците от електрическо и електронно оборудване и директивата относно батерии и акумулатори и отпадъци от батерии и акумулатори и приложението им съгласно националното законодателство, бракуваното електрическо оборудване и батерии и пакет(и) батерии трябва да се събират отделно и да се връщат в места за рециклиране, съобразени с изискванията за опазване на околната среда.

Предназначение

Инструментът е предназначен за подрязване храсти.

Шум

Обичайното ниво на шума с тегловен коефициент A, определено съгласно EN62841-4-2:

Модел DUN604S

Ниво на звуково налягане (L_{pA}): 79,3 dB(A)
Ниво на звукова мощност (L_{WA}): 90,3 dB (A)
Коефициент на неопределеност (K): 3 dB(A)

Модел DUN754S

Ниво на звуково налягане (L_{pA}): 80,6 dB(A)
Ниво на звукова мощност (L_{WA}): 91,6 dB (A)
Коефициент на неопределеност (K): 3 dB(A)

При работа нивото на шума може да превиши 80 dB (A).

ЗАБЕЛЕЖКА: Обявената(ите) стойност(и) на шумовите емисии е(са) измерена(и) в съответствие със стандартни методи за изпитване и може да се използва(т) за сравняване на инструменти.

ЗАБЕЛЕЖКА: Обявеното(ите) стойност(и) на шумови емисии може да се използва(т) също и за предварителна оценка на вредното въздействие.

▲ ПРЕДУПРЕЖДЕНИЕ: Използвайте предпазни средства за слуха.

▲ ПРЕДУПРЕЖДЕНИЕ: Нивото на шума при работа с електрическия инструмент може да се различава от обявената(ите) стойност(и) в зависимост от начина на използване на инструмента, по-специално какъв детайл се обработва.

▲ ПРЕДУПРЕЖДЕНИЕ: Задължително определете предпазни мерки за защита на оператора въз основа на оценка на риска в реални работни условия (като се вземат предвид всички етапи на работния цикъл, като например момента на изключване на инструмента, работата на празен ход, както и времето на задействане).

Вибрации

Общата стойност на вибрациите (сума от три осови вектора), определена съгласно EN62841-4-2:

Модел DUN604S

Ниво на вибрациите (a_h): 2,5 m/s^2 или по-малко
Коефициент на неопределеност (K): 1,5 m/s^2

Модел DUN754S

Ниво на вибрациите (a_h): 2,5 m/s^2 или по-малко
Коефициент на неопределеност (K): 1,5 m/s^2

ЗАБЕЛЕЖКА: Обявената(ите) обща(и) стойност(и) на вибрациите е(са) измерена(и) в съответствие със стандартни методи за изпитване и може да се използва(т) за сравняване на инструменти.

ЗАБЕЛЕЖКА: Обявената(ите) обща(и) стойност(и) на вибрациите може да се използва(т) също и за предварителна оценка на вредното въздействие.

▲ ПРЕДУПРЕЖДЕНИЕ: Нивото на вибрациите при работа с електрическия инструмент може да се различава от обявената(ите) стойност(и) в зависимост от начина на използване на инструмента, по-специално какъв детайл се обработва.

▲ ПРЕДУПРЕЖДЕНИЕ: Задължително определете предпазни мерки за защита на оператора въз основа на оценка на риска в реални работни условия (като се вземат предвид всички етапи на работния цикъл, като например момента на изключване на инструмента, работата на празен ход, както и времето на задействане).

ЕО декларация за съответствие

Само за европейските страни

ЕО декларацията за съответствие е включена като Анекс А към тази инструкция за употреба.

ПРЕДУПРЕЖДЕНИЯ ЗА БЕЗОПАСНОСТ

Общи предупреждения за безопасност при работа с електрически инструменти

▲ ПРЕДУПРЕЖДЕНИЕ: Прочетете всички предупреждения, инструкции, илюстрации и спецификации за безопасността, предоставени с този електрически инструмент. При неспазване на изброените по-долу инструкции има опасност от токов удар, пожар и/или тежко нараняване.

Запазете всички предупреждения и инструкции за справка в бъдеще.

Терминът "електрически инструмент" в предупрежденията се отнася за вашия инструмент (с кабел за включване в мрежата) или работещ на батерии (безжичен) електрически инструмент.

Предупреждения за безопасна работа с акумулаторен хросторез

1. По време на работа дръжте всички части на тялото си далеч от ножа. Не правете опити да чистите отрязания материал или задържате материал, който трябва да бъде отрязан, докато режещите инструменти са в движение. Ножовете продължават да се движат и след изключването на прекъсвача. Един миг на невнимание по време на работа с хростореза може да доведе до сериозни наранявания.

2. Пренасяйте хростореза, като го държите за дръжката със спрян нож и внимавайте да не задействате който и да е превключвател на захранването. Правилното пренасяне на хростореза ще намали риска от неволно стартиране и получаването в резултат на това телесно нараняване от ножовете.
3. При транспортиране или съхраняване на хростореза винаги поставяйте капака на ножа. Правилното държане на хростореза ще намали риска от телесно нараняване от ножовете.
4. Когато почиствате заседнал материал или обслужвате инструмента, уверете се, че всички превключватели на захранването са изключени и батерията е извадена или разкачена. Неочакваното задействане на хростореза по време на почистване на заседнал материал или обслужване може да доведе до сериозно телесно нараняване.
5. Дръжте хростореза единствено за изолираните повърхности за хващане, защото има опасност ножът да влезе в контакт със скрити кабели. Ако ножовете докоснат проводник под напрежение, токът може да премине през металните части на хростореза и да подложи работещия на токов удар.
6. Всички захранващи и други кабели трябва да бъдат извън зоната на рязане. Захранващите и други кабели може да бъдат скрити в живия плет и храстите и е възможно да бъдат срязани неволно от ножа.
7. Не използвайте хростореза при лоши атмосферни условия, особено когато има риск от светкавици. Това намалява риска да бъдете ударени от светкавица.
6. Работните ръкавици от здрава кожа са неотменима част от базовото оборудване на инструмента и трябва винаги да бъдат носени при работа с него. Необходимо е да се носят и здрави обувки с подметки, осигуряващи добро сцепление.
7. Преди започване на работа проверете дали инструментът е в добро и безопасно работно състояние. Уверете се, че предпазителите са правилно поставени. Инструментът не трябва да се използва, освен ако не е напълно сглобен.

Работа

1. По време на работа дръжте здраво инструмента с две ръце.
2. Инструментът е предназначен за използване от оператор, стъпил на земята. Не използвайте инструмента, докато сте стъпили на стълби или други нестабилни опори.
3. Когато работите с инструмента, не носете едновременно множество обезопасяващи ремъци и/или ремък през рамото.
4. **ОПАСНОСТ** - Дръжте ръцете далеч от диска. Допирът до диска ще доведе до сериозни наранявания.
5. Не използвайте инструмента в дъжд или при много мокри или влажни условия. Електромоторът не е водоустойчив.
6. Преди започване на работа се уверете, че сте застанали в стабилна работна стойка.
7. Не оставяйте инструмента да работи излишно на празен ход.
8. При контакт на остриетата с ограда или друг твърд обект незабавно изключете инструмента и извадете акумулаторната батерия. Проверете ножовете за повреди и ако са повредени, ги заменете незабавно.
9. Преди проверка на остриетата, поправка на повреди или почистване на задръстен материал в остриетата, винаги изключвайте инструмента и изваждайте акумулаторната батерия.
10. Никога не насочвайте остриетата на ножа към себе си или към други хора.
11. Ако дисковете спрат да се движат поради заклещване на чужди предмети между тях по време на работа, изключете инструмента и извадете акумулаторната батерия, след което извадете чуждите предмети посредством инструменти, например клещи. Изваждането на чуждите предмети с ръка може да доведе до нараняване, тъй като дисковете може да се задвижат при изваждането на чуждите предмети.
12. Избягвайте опасни среди. Инструментът да не се използва във влажни или мокри участъци и да не се излага на дъжд. Попадналата в инструмента вода увеличава риска от токов удар.

Техническа поддръжка и съхранение

1. Изключете инструмента и извадете акумулаторната батерия преди извършване на операции по поддръжката.

Допълнителни инструкции за безопасност

Подготовка

1. Преди да работите с инструмента, проверете живия плет и храстите за наличие на чужди предмети, например телени огради или скрити кабели.
2. С инструмента не трябва да работят деца и младежи под 18-годишна възраст. Младежи над 16-годишна възраст може да бъдат освободени от това ограничение, ако преминават обучение под надзора на специалист.
3. Потребители, които ще използват инструмента за първи път, трябва първоначално да бъдат обучени за работа с инструмента от опитен потребител.
4. Използвайте инструмента само ако сте в добро физическо състояние. Ако сте уморени, вниманието Ви е намалено. Бъдете особено внимателни в края на работния ден. Изпълнявайте всички работни дейности спокойно и внимателно. Потребителят носи отговорност за всички щети, нанесени на трети страни.
5. Никога не работете с инструмента, когато сте под влиянието на алкохол, наркотици или лекарства.

2. При пренасяне на инструмента на друго място, включително и по време на работа, винаги изваждайте акумулаторната батерия и поставяйте капака върху остриетата на ножа. Не носете и не транспортирайте инструмента, когато ножовете се движат. Никога не докосвайте ножовете с ръце.
3. Почиствайте инструмента и особено остриетата след употреба и преди съхраняване на инструмента за продължителни периоди от време. Леко смажете с масло ножовете и поставете капака на ножа.
4. Съхранявайте инструмента с поставен капак на ножовете в сухо помещение. Съхранявайте го на недостъпно за деца място. Никога не съхранявайте инструмента на открито.
5. Не изхвърляйте акумулаторната(ите) батерия(и) в огън. Клетките на батерията могат да експлодират. Проверете местните разпоредби за евентуални специални инструкции за унищожаване.
6. Не отваряйте или повреждайте акумулаторната батерия(и). Изтичащият електролит има разяждащо действие и може да увреди очите или кожата. Може да бъде токсичен при поглъщане.
7. Не зареждайте батерията под дъжд или на влажни места.
5. Не давайте на късо акумулаторните батерии:
 - (1) Не докосвайте клемите с проводими материали.
 - (2) Избягвайте съхраняването на акумулаторните батерии в контейнер с други метални предмети като пирони, монети и други подобни.
 - (3) Не излагайте акумулаторните батерии на вода или дъжд.

Закъсването на акумулаторна батерия може да доведе до протичане на много силен ток, до прегряване, до възможни изгаряния и даже до разпадане на батерията.

6. Не съхранявайте и не използвайте инструмента и акумулаторните батерии на места, където температурата може да достигне или надмине 50 °C (122 °F).
7. Не изгаряйте акумулаторните батерии даже и ако те са сериозно повредени или напълно износени. Акумулаторната батерия може да експлодират в огън.
8. Не забивайте пирони, не режете, не смачкавайте, не хвърляйте, не изпускайте и не удряйте в твърд предмет акумулаторната батерия. Това поведение може да предизвика пожар, прегряване или взрив.
9. Не използвайте повредени акумулаторни батерии.
10. Съдържащите се литиево-йонни акумулаторни батерии са обект на изискванията на законодателството за опасни стоки. При търговския превоз, напр. от трети страни, спедитори, трябва да се спазват специални изисквания за опаковане и етикетирание. За подготовка на артикула, който трябва да бъде изпратен, е необходима консултация с експерт по опасните материали. Моля, спазвайте и евентуално по-подробните национални разпоредби. Залепете с лента или покрийте откритите контакти и опаковайте акумулаторната батерия по такъв начин, че да не може да се премества в опаковката.
11. При изхвърляне на акумулаторната батерия я извадете от инструмента и я изхвърлете на подходящо място. Спазвайте местните разпоредби за изхвърляне на акумулаторни батерии.
12. Използвайте батериите само с продуктите, определени от Makita. Поставянето на батериите към неодобрени продукти може да предизвика пожар, прегряване, взрив или изтичане на електролит.
13. Ако инструментът няма да се използва продължително време, батерията трябва да се извади от него.
14. По време на и след употреба акумулаторната батерия може да поеме топлина, която може да причини изгаряния или нискотемпературни изгаряния. Внимавайте, когато боравите с горещите акумулаторни батерии.

ЗАПАЗТЕ НАСТОЯЩИТЕ ИНСТРУКЦИИ.

▲ПРЕДУПРЕЖДЕНИЕ: НЕ позволявайте комфорта от познаването на продукта (придобит при дългата му употреба) да замени стриктното спазване на правилата за безопасност за въпросния продукт. **НЕПРАВИЛНАТА УПОТРЕБА** и неспазването на правилата за безопасност, посочени в настоящото ръководство за експлоатация, може да доведе до тежки наранявания.

Важни инструкции за безопасност за акумулаторната батерия

1. Преди да използвате акумулаторната батерия, прочетете всички инструкции и предупредителни маркировки на (1) зарядното устройство за батериите, (2) за батериите и (3) за използващия батериите продукт.
2. Не разглобявайте и не променяйте акумулаторната батерия. Това може да предизвика пожар, прегряване или взрив.
3. Ако мощността на машината намалее много, веднага спрете да работите. Това може да доведе до риск от прегряване, до възможни изгаряния и даже до експлозии.
4. Ако в очите ви попадне електролит, изплакнете ги с чиста вода и веднага потърсете лекарска помощ. Това може да доведе до загуба на зрението ви.

15. Не докосвайте клемата на инструмента веднага след употреба, тъй като е възможно да е достатъчно нагрята, за да предизвика изгаряния.
16. Не позволявайте стружки, прах или почва да полепват по клемите, отворите и каналите на акумулаторната батерия. Това може да доведе до лоши работни характеристики или повреда на инструмента или акумулаторната батерия.
17. Освен ако инструментът поддържа използването в близост до високоволтови електропроводи, не използвайте акумулаторната батерия близо до високоволтови електропроводи. Това може да доведе до неизправност или повреда на инструмента или акумулаторната батерия.
18. Пазете батерията от деца.

ЗАПАЗЕТЕ НАСТОЯЩИТЕ ИНСТРУКЦИИ.

⚠ВНИМАНИЕ: Използвайте само оригинални акумулаторни батерии на Makita. При използване на различни от акумулаторните батерии на Makita или стари акумулаторни батерии може да се получи пръскане на акумулаторната батерия, което да доведе до пожар, нараняване или повреда. Това също ще анулира гаранцията на Makita за инструмента и зарядното устройство Makita.

Съвети за поддържане на максимално дълъг живот на акумулаторните батерии

1. Зареждайте акумулаторните батерии, преди те да са се разредили напълно. Когато забележите, че мощността на инструмента намалява, винаги спирайте работата с инструмента и заредете акумулаторната батерия.
2. Никога не презареждайте напълно заредена акумулаторна батерия. Презарядът скъсява експлоатационния живот на батерията.
3. Зареждайте акумулаторната батерия при стайна температура от 10 °C – 40 °C (50 °F – 104 °F). Оставете загорелите акумулаторни батерии да се охладят, преди да ги зареждате.
4. Когато не използвате акумулаторната батерия, извадете я от инструмента или зарядното устройство.
5. Заредете акумулаторната батерия, ако не сте го използвали дълъг период от време (повече от шест месеца).

ОПИСАНИЕ НА ФУНКЦИИТЕ

⚠ВНИМАНИЕ: Винаги проверявайте дали инструментът е изключен и касетата с акумулаторната батерия е извадена, преди да регулирате или проверявате дадена функция на инструмента.

Поставяне и изваждане на акумулаторната батерия

⚠ВНИМАНИЕ: Винаги изключвайте инструмента преди поставяне или изваждане на акумулаторната батерия.

⚠ВНИМАНИЕ: Когато инсталирате или изваждате акумулаторната батерия, дръжте здраво инструмента и акумулаторната батерия. Ако не държите здраво инструмента и акумулаторната батерия, те могат да се изплъзнат от ръцете ви и да доведат до повреждане на инструмента и акумулаторната батерия или нараняване.

► **Фиг.1:** 1. Червен индикатор 2. Бутон 3. Акумулаторна батерия

За да извадите акумулаторната батерия, я плъзнете извън инструмента, плъзгайки същевременно бутона в предната част на акумулаторната батерия.

За да поставите акумулаторната батерия, изравнете езичето на акумулаторната батерия с жлеба в корпуса и го плъзнете на мястото му. Вмъкнете го докрай, докато ключалката го задържи на място с малко прищрапване. В случай че виждате червения индикатор в горната част на бутона, това означава, че тя не е фиксирана напълно на мястото си.

⚠ВНИМАНИЕ: Винаги вмъквайте акумулаторната батерия докрай, така че червеният индикатор да се скрие. В противен случай тя може неволно да изпадне от инструмента, което може да нарани вас или някого около вас.

⚠ВНИМАНИЕ: Не инсталирайте акумулаторната батерия със сила. Ако батерията не се движи свободно, тя не е била поставена правилно.

Индикация на оставащия капацитет на акумулаторната батерия

Само за акумулаторни батерии с индикатор

► **Фиг.2:** 1. Светлинни индикатори 2. Бутон за проверка

Натиснете бутона за проверка на акумулаторната батерия за показване на оставащия заряд на батерията. Светлинните индикатори ще светнат за няколко секунди.

Светлинни индикатори			Оставащ заряд на батерията
Свети	Изкл.	Мига	
			75% до 100%
			50% до 75%
			25% до 50%
			0% до 25%
			Заредете батерията.
			Батерията може да не работи правилно.

ЗАБЕЛЕЖКА: В зависимост от условията на употреба и околната температура е възможно показанията леко да се различават от действителния капацитет.

ЗАБЕЛЕЖКА: Първият (краен ляв) светлинен индикатор ще мига, когато системата за защита на батерията функционира.

Регулиране на оборотите

Можете да регулирате оборотите на инструмента чрез натискане на главния бутон на захранването. При всяко натискане на главния бутон на захранването, нивото на оборотите се променя.

► **Фиг.3:** 1. Индикатор за обороти 2. Главен ключ за захранването

Индикатор	Режим	Скорост на хода
	Високи	4 400 мин ⁻¹
	Средни	3 600 мин ⁻¹
	Ниски	2 000 мин ⁻¹

Система за защита на инструмента / акумулаторната батерия

Инструментът е оборудван със система за защита на инструмента/акумулаторната батерия. Тази система автоматично прекъсва захранването към електромотора, за да осигури по-дълъг живот на инструмента и акумулаторната батерия. Инструментът ще спре автоматично по време на работа, ако инструментът или батерията се намират в едно от следните условия:

Състояние	Светлинни индикатори		
	Вкл	Изкл	Мига
Претоварване			
Прегряване			
Прекалено разреждане			

Защита срещу претоварване

Ако инструментът се претовари от захванати клони или други изрезки, индикаторите за „2“ и „3“ започват да мигат и инструментът спира автоматично. В този случай изключете инструмента и спрете операцията, която претоварва инструмента. След това отново включете инструмента, за да продължите.

БЕЛЕЖКА: В зависимост от условията на употреба инструментът автоматично се изключва без каквато и да е индикация, ако бъде претоварен от заплетени клони или отпадъци. В такъв случай изключете инструмента и извадете акумулаторната батерия, след което отстранете заплетените клони или отпадъци, като използвате например клещи. След отстраняване на клоните или отпадъците, поставете акумулаторната батерия и включете отново инструмента.

Защита срещу прегряване за инструмента или акумулаторната батерия

Има два вида прегряване: прегряване на инструмента и прегряване на батерията. При прегряване на инструмента всички индикатори за обороти мигат. При прегряване на батерията индикаторът за „1“ мига. При прегряване на инструмента спира автоматично. Оставете инструмента и/или батерията да изстинат, преди да го включите отново.

Защита срещу прекомерно разреждане

Когато капацитетът на акумулаторната батерия намалее, инструментът автоматично спира и индикаторът за „1“ мига. Ако инструментът не работи дори при задействане на превключвателите му, извадете батерията и я заредете.

Действие на ключа на захранването

▲ ПРЕДУПРЕЖДЕНИЕ: За ваша безопасност този инструмент е оборудван с лост, който предотвратява неволното стартиране на инструмента. НИКОГА не използвайте инструмента, ако той се включва, когато просто натиснете пусковия прекъсвач, без да сте натиснали лоста. Отнесете инструмента в упълномощен сервизен център за ремонт ПРЕДИ по-нататъшна употреба.

▲ ПРЕДУПРЕЖДЕНИЕ: НИКОГА не залепвайте с лента и не елиминирайте предназначението и функцията на лоста.

▲ ПРЕДУПРЕЖДЕНИЕ: Преди да поставите акумулаторната батерия в инструмента, винаги проверявайте дали пусковите прекъсвачи и лостът работят нормално и се връщат в положение „OFF“ (ИЗКЛ.) при освобождаването им. Работа с инструмент с прекъсвач, който не функционира правилно, може да доведе до загуба на контрол и до сериозно телесно нараняване.

▲ ВНИМАНИЕ: Никога не дръжте пръста си на пусковите прекъсвачи, когато носите инструмента. Инструментът може да се включи неволно и да причини нараняване.

БЕЛЕЖКА: Не натискайте пусковия прекъсвач силно, без да сте натиснали лоста. Това може да доведе до счупване на прекъсвача.

Натиснете главния бутон на захранването, за да включите инструмента. Светлинният индикатор за захранването светва, когато инструментът е включен. За изключване на инструмента натиснете и задръжте главния бутон на захранването. Светлинният индикатор за захранването угасва, когато инструментът е изключен.

► **Фиг.4:** 1. Светлинен индикатор за захранването
2. Главен ключ за захранването

ЗАБЕЛЕЖКА: Инструментът се изключва автоматично, ако с него не се работи за определен период от време.

За предотвратяване на неволно натискане на пусковия прекъсвач е осигурен лост. За да включите инструмента, натиснете предния пусков прекъсвач и след това натиснете задния пусков прекъсвач, докато натискате лоста. Когато освободите един от двата пускови прекъсвачи, инструментът спира.

► **Фиг.5:** 1. Лост 2. Заден пусков прекъсвач
3. Преден пусков прекъсвач

Бутон за обръщане на посоката на въртене за отстраняване на отпадъците

▲ ПРЕДУПРЕЖДЕНИЕ: Ако заплетените клони или отпадъци не могат да бъдат отстранени чрез функцията за обръщане на посоката на движение, изключете инструмента и извадете акумулаторната батерия, след което отстранете заплетените клони или отпадъци, като използвате например клещи. Ако не изключите инструмента и не извадите акумулаторната батерия от него, може да се стигне до сериозни наранявания при случайно стартиране. Отстраняването на заплетени клони или отпадъци с ръка може да причини нараняване, тъй като остриетата на ножа може да се задвижат като реакцията на отстраняването.

Инструментът е снабден с бутон за обръщане на посоката на движение за промяна на посоката на движение на ножа. Той се използва само за отстраняване на клони и отпадъци, заплетени в инструмента.

За да обърнете посоката на движение на остриетата на ножа, натиснете бутона за обръщане на посоката на движение, когато остриетата са спрели, след което натиснете предния пусков прекъсвач и след това натиснете задния пусков прекъсвач, като същевременно натискате лоста. Светлинният индикатор за захранването започва да мига и остриетата на ножа се задвижват в обратна посока. Когато заплетените клони и отпадъци бъдат отстранени, инструментът се връща към нормално движение и светлинният индикатор за захранването спира да мига и започва да свети постоянно.

► **Фиг.6:** 1. Светлинен индикатор за захранването
2. Бутон за обръщане на посоката на въртене

ЗАБЕЛЕЖКА: Ако заплетените клони или отпадъци не могат да бъдат отстранени, освободете пусковите прекъсвачи, след това натиснете бутона за обръщане на посоката на въртене и натиснете пусковите прекъсвачи, докато се отстранят.

ЗАБЕЛЕЖКА: Ако задействате за кратко бутона за обръщане на посоката на движение, докато остриетата на ножа все още се движат, инструментът спира и е готов за движение в обратната посока.

СГЛОБЯВАНЕ

▲ ВНИМАНИЕ: Преди да извършите никакви дейности по инструмента, задължително проверете дали той е изключен и акумулаторната батерия е извадена.

▲ ВНИМАНИЕ: Когато сменяте остриетата на ножа, винаги носете ръкавици, за да избегнете пряк контакт на ръцете си с режещите ръбове.

БЕЛЕЖКА: Когато сменяте режещите остриета, не изчиствайте тревата от предавката и ексцентрика.

Монтиране или демонтиране на остриетата на ножа

⚠ВНИМАНИЕ: Монтирайте капака на острието преди демонтаж или монтаж на режещите остриета.

Към вашия инструмент можете да монтирате остриета 600 мм или 750 мм.

ЗАБЕЛЕЖКА: Ако сменят остриетата с такива с друга дължина, сменете колектора за изрезки с такъв, в който ножовете прилягат.

1. Отстранете четири винта (за DUH604S) или пет винта (за DUH754S), след което отстранете колектора за изрезки от инструмента.

► **Фиг.7:** 1. Колектор за изрезки 2. Винт

2. Поставете инструмента с горната страна надолу и свалете шестте болта.

► **Фиг.8:** 1. Болт

3. Отстранете капака и планката.

► **Фиг.9:** 1. Капак 2. Планка

ЗАБЕЛЕЖКА: Планката може да остане в капака.

4. Отстранете задвижващата щанга и лагера.

► **Фиг.10:** 1. Задвижваща щанга 2. Лагер

ЗАБЕЛЕЖКА: Задвижващата щанга или лагера може да останат в капака.

5. Свалете трите винта, трите втулки и филцовата подложка, след което демантирайте остриетата.

► **Фиг.11:** 1. Винт 2. Пръстен 3. Филцова подложка 4. Остриета на ножа

БЕЛЕЖКА: Внимавайте да не загубите винтовете.

6. Отстранете капака на ножа и след това го прикрепете към новите остриета.

► **Фиг.12**

7. Регулирайте ексцентрика така, че двата отвора да са центрирани към линията за подравняване.

► **Фиг.13:** 1. Отвор 2. Линия за подравняване

8. Центрирайте изпъкналите части на остриетата на ножа вертикално в една и съща позиция.

► **Фиг.14:** 1. Изпъкнала част

9. Поставете винта, свален в стъпка 5, в отвора на остриетата на ножа, за да ги фиксирате временно, и след това поставете филцовата подложка към остриетата на ножа.

► **Фиг.15:** 1. Винт 2. Филцова подложка 3. Отвор

10. Вкарайте изпъкналата част на остриетата в отвора на задвижващата щанга, след което подравнете позицията на филцовата подложка с отворите на инструмента. Поставете две нови втулки.

► **Фиг.16:** 1. Филцова подложка 2. Изпъкнала част 3. Отвор 4. Пръстен

БЕЛЕЖКА: Нанесете малко количество смазка по вътрешната периферия на отвора на задвижващата щанга.

БЕЛЕЖКА: Внимавайте да не загубите втулките.

11. Центрирайте отворите на втулките и остриетата на ножа с отворите на инструмента, след което затегнете двата винта, за да фиксирате временно остриетата.

► **Фиг.17:** 1. Винт

12. Поставете нов пръстен.

► **Фиг.18:** 1. Пръстен

13. Отстранете винта, поставен в отвора на остриетата в стъпка 9, след което затегнете винта заедно с втулката за фиксиране на остриетата.

► **Фиг.19:** 1. Винт

14. Здравно притегнете винтовете, които са временно застопорени в стъпка 11.

15. Закрепете лагера и задвижващата щанга.

► **Фиг.20:** 1. Задвижваща щанга 2. Малък отвор 3. Лагер

БЕЛЕЖКА: Нанесете малко количество смазка по вътрешната периферия на малкия отвор на задвижващата щанга.

БЕЛЕЖКА: Уверете се, че изпъкналата част на острието на ножа се вмества точно в малкия отвор на задвижващата щанга.

16. Закрепете планката.

► **Фиг.21:** 1. Изпъкнала част 2. Планка

БЕЛЕЖКА: Уверете се, че изпъкналата част на острието на ножа се вмества точно в отвора на планката.

17. Закрепете капака и затегнете шестте болта.

► **Фиг.22:** 1. Болт 2. Капак

18. Закрепете колектора за изрезки към инструмента, като затегнете четири винта (за DUH604S) или пет винта (за DUH754S).

► **Фиг.23:** 1. Колектор за изрезки 2. Винт

БЕЛЕЖКА: Ако остриетата не се движат плавно, те не са зацепени правилно към задвижващите щанги. Монтирайте отново остриетата.

БЕЛЕЖКА: Ако се износят други части, различни от остриетата, например задвижващите щанги, опитайте в оторизирани сервизни центрове на Makita за резервни части или ремонт.

Демонтиране или монтиране на колектора за изрезки

⚠ВНИМАНИЕ: Когато монтирате или демонтирате колектора за изрезки, винаги носете ръкавици, за да избегнете пряк контакт на ръцете си с режещите ръбове.

Колекторът за изрезки събира отрязаните листа и прави почистването след това много по-лесно.

За да отстраните колектора за изрезки, отстранете четири винта (за DUH604S) или пет винта (за DUH754S), след което отстранете колектора за изрезки от инструмента. За да монтирате колектора за изрезки, изпълнете процедурата в обратен ред.

► **Фиг.24:** 1. Колектор за изрезки 2. Винт

Експлоатация

▲ ПРЕДУПРЕЖДЕНИЕ: Дръжте ръцете си далеч от остриетата на ножа.

▲ ВНИМАНИЕ: Доколкото е възможно, избягвайте работа с инструмента при много горещо време. При работа с инструмента обръщайте внимание на вашето физическо състояние.

▲ ВНИМАНИЕ: По време на подрязване внимавайте да не влезете в случаен контакт с метална ограда или други твърди обекти. Остриетата на ножа може да се счупят и да причинят нараняване.

▲ ВНИМАНИЕ: Не допускайте режещите остриета да влизат в контакт със земята. Инструментът може да отскочи и да причини нараняване.

▲ ВНИМАНИЕ: Прекомерното протягане с хракстореа, особено от стълба, е изключително опасно. Не работете, застанали върху платформа, която се клати или е нестабилна.

БЕЛЕЖКА: Не опитвайте да режете клони с инструмента, които са по-дебели от 10 мм в диаметър. Преди да използвате инструмента, предварително подрежете клоните на 10 см под височината на рязане с резакките за клони.

► Фиг.25: (1) Височина на рязане (2) 10 см

БЕЛЕЖКА: Не отрязвайте мъртви дървета или подобни твърди обекти. Това може да повреди инструмента.

БЕЛЕЖКА: Не подрязвайте трева и плевели, използвайки остриетата на ножа. Остриетата на ножа може да се заплетат в тревата или плевелите.

Дръжте предната дръжка с дясната си ръка, а задната дръжка с лявата си ръка. Натиснете предния пусков прекъсвач, след това натиснете задния пусков прекъсвач, като същевременно натискате лоста, и започнете да движите инструмента напред.

► Фиг.26

За основна операция наклонете остриетата на ножа по посока на подрязването и внимателно и бавно го движете напред със скорост от 3 до 4 секунди на метър.

► Фиг.27

За да подкастрирете върха на храста равно, вържете връв на желаната височина и подрязвайте по нея.

► Фиг.28

Колекторът за изрезки събира отрязаните листа и прави почистването след това много по-лесно.

► Фиг.29

За равно рязане на страните на живия плет, режете от долу нагоре.

► Фиг.30

Когато при подрязването искате да получите кръгла форма (подрязване на чешмир, рододендрон и др.), подрязвайте от корена към върха, за да се получи красив завършек.

► Фиг.31

ПОДДРЪЖКА

▲ ВНИМАНИЕ: Преди да проверявате или извършвате поддръжка на инструмента, се уверете, че той е изключен и акумулаторната батерия е извадена.

За да се поддържа БЕЗОПАСНОСТТА и НАДЕЖНОСТТА на продукта, ремонтите, поддръжката или регулирането трябва да се извършват от упълномощен сервиз или фабрични сервизни центрове на Makita, като винаги трябва да използвате резервни части от Makita.

Почистване на инструмента

Почистете инструмента, като избършете праха със суха кърпа или кърпа, напоена с вода и миеш препарат и изстискана.

БЕЛЕЖКА: Не използвайте бензин, нафта, разредител, спирт и др. подобни. Това може да причини обезцветяване, деформация или пукнатини.

Поддръжка на остриетата на ножа

Преди да пристъпите към работа или веднъж на час по време на работа, нанесете нисковискозитетно масло (машинно масло или смазочно масло във вид на спрей) върху остриетата на ножа.

► Фиг.32

След работа отстранете праха от остриетата на ножа с телена четка, забършете ги с кърпа и след това нанесете нисковискозитетно масло (машинно масло или смазочно масло във вид на спрей) върху остриетата на ножа.

► Фиг.33

БЕЛЕЖКА: Не мийте остриетата на ножа с вода. Това може да доведе до образуване на ръжда или повреждане на инструмента.

БЕЛЕЖКА: Замърсяванията и корозията предизвикват прекомерно триене на острието и скъсяват времето за работа с едно зареждане на батерията.

Съхранение

Отворът за кука от долната страна на инструмента е удобен за окачване на инструмента на пирон или винт на стената.

Отстранете акумулаторната батерия от инструмента и след това поставете капака за ножа така, че ножовете да не са открити. Съхранявайте инструмента извън обсега на деца. Съхранявайте инструмента на място, което не е изложено на влага или дъжд.

► Фиг.34: 1. Отвор

Заточване на остриетата на ножа

БЕЛЕЖКА: Ако остриетата на ножа са значително деформирани от заточването, сменете ги с нови.

1. Монтирайте акумулаторната батерия към инструмента.
2. Включете и стартирайте инструмента така, че горното и долното острие да се позиционират последователно.
► Фиг.35
3. Изключете инструмента и извадете акумулаторната батерия от инструмента.
4. Настройте ъгъла на пилата на 45° и с нея заточете горното острие от 3 посоки.
► Фиг.36: (1) Пила (2) 45°

ВНИМАНИЕ: Преди заточване на остриетата на ножа, винаги проверявайте дали инструментът е изключен и акумулаторната батерия е извадена от него.

5. Поставете инструмента с горната част надолу, след което отстранете стружките от остриетата на ножа с помощта на шлифовъчния камък за заточване.

► Фиг.37: 1. Шлифовъчен камък за заточване

6. Настройте ъгъла на пилата на 45° и с нея заточете долното острие от 3 посоки.

7. Върнете инструмента в нормално положение и отстранете стружките от остриетата на ножа с помощта на шлифовъчния камък за заточване.

Смазване със смазка

Интервал на смазване: На всеки 100 работни часа

1. Отстранете болта от отвора за смазване.

► Фиг.38: 1. Болт

2. Свалете капачката от съда със смазка. Подравнете изхода на съда със смазка с отвора на капака и след това притиснете изхода на съда със смазка към отвора.

► Фиг.39: 1. Съд със смазка 2. Отвор

3. Нанесете смазка към инструмента (Приблизително 5 г).

4. Затегнете болта.

ОТСТРАНЯВАНЕ НА НЕИЗПРАВНОСТИ

Преди да заявите ремонт, сами извършете проверка. Ако установите проблем, който не е обяснен в ръководството, не се опитвайте да разглобявате инструмента. Вместо това го занесете в някой от оторизирани сервиси на Makita, които винаги използват за ремонтите резервни части от Makita.

Състояние на неизправност	Възможно причина (неизправност)	Мерки за отстраняване
Двигателят не работи.	Не е инсталирана акумулаторна батерия.	Инсталирайте акумулаторната батерия.
	Проблем с батерията (ниско напрежение)	Заредете акумулаторната батерия. Ако зареждането не е ефективно, сменете акумулаторната батерия.
	Задвижващата система не работи нормално.	Обърнете се към местния упълномощен сервиз за извършване на ремонт.
След кратко използване, двигателят спира да работи.	Нивото на заряда на акумулатора е ниско.	Заредете акумулаторната батерия. Ако зареждането не е ефективно, сменете акумулаторната батерия.
	Прегряване.	Спрете работата с уреда, за да може той да се охлади.
Инструментът не може да достигне максималните обороти.	Акумулаторната батерия е инсталирана неправилно.	Поставете акумулаторната батерия, както е описано в настоящото ръководство.
	Енергията на батерията спада.	Заредете акумулаторната батерия. Ако зареждането не е ефективно, сменете акумулаторната батерия.
	Задвижващата система не работи нормално.	Обърнете се към местния упълномощен сервиз за извършване на ремонт.
Режещите остриета не се движат: ⇒ спрете веднага машината!	Между режещите остриета са захванати чужди предмети.	1. Използвайте бутона за обръщане на посоката на въртене. 2. Изключете инструмента и извадете акумулаторната батерия, след което отстранете чуждите предмети, като използвате инструменти, например клещи.
	Задвижващата система не работи нормално.	Обърнете се към местния упълномощен сервиз за извършване на ремонт.
Ненормални вибрации: ⇒ спрете веднага машината!	Остриетата са счупени, огънати или износени.	Сменете режещите остриета.
	Задвижващата система не работи нормално.	Обърнете се към местния упълномощен сервиз за извършване на ремонт.
Остриета и моторът не могат да спрат: ⇒ Незабавно извадете акумулаторната батерия!	Неизправност с електроенергията.	Свалете акумулаторната батерията и се обърнете към местния упълномощен сервиз за извършване на ремонт.

ДОПЪЛНИТЕЛНИ АКСЕСОАРИ

⚠ ВНИМАНИЕ: Препоръчва се използването на тези аксесоари или накрайници с вашия инструмент Makita, описан в настоящото ръководство. Използването на други аксесоари или накрайници може да доведе до опасност от телесни повреди. Използвайте съответния аксесоар или накрайник само по предназначение.

Ако имате нужда от помощ за повече подробности относно тези аксесоари, се обърнете към местния сервизен център на Makita.

- Блок на режещо острие
- Колектор за изрезки
- Съд със смазка
- Оригинална акумулаторна батерия и зарядно устройство на Makita

ЗАБЕЛЕЖКА: Някои артикули от списъка може да са включени в комплекта на инструмента, като стандартни аксесоари. Те може да са различни в различните държави.

SPECIFIKACIJE

Model:	DUH604S	DUH754S
Dužina oštrice	600 mm	750 mm
Broj udara po minuti	2.000 / 3.600 / 4.400 min ⁻¹	
Ukupna dužina	1.061 mm	1.200 mm
Nazivni napon	DC 18 V	
Neto težina	3,4 – 3,9 kg	

- Zahvaljujući našem stalnom programu razvoja i istraživanja, navedene specifikacije podložne su promjenama bez obavijesti.
- Specifikacije mogu biti različite ovisno o zemlji.
- Težina se može razlikovati ovisno o opremi, uključujući baterijski uložak. Najlakša i najteža kombinacija, sukladno postupku EPTA 01/2014, prikazane su u nastavku.

Odgovarajući baterijski uložak i punjač

Baterija	BL1815N / BL1820 / BL1820B / BL1830 / BL1830B / BL1840 / BL1840B / BL1850 / BL1850B / BL1860B
Punjač	DC18RC / DC18RD / DC18RE / DC18SD / DC18SE / DC18SF / DC18SH

- Neki od navedenih baterijskih uložaka i punjača možda neće biti dostupni ovisno o regiji u kojoj se nalazite.

⚠ UPOZORENJE: Upotrebite samo navedene baterijske uloške i punjače. Upotreba bilo koje druge vrste baterijskih uložaka i punjača može prouzročiti ozljede i/ili požar.

PPreporučeni prilagodnik baterije

Adapter za akumulator	PDC01
-----------------------	-------

- Neki od prethodno navedenih prilagodnika baterije možda neće biti dostupni ovisno o regiji u kojoj se nalazite.
- Prije upotrebe prilagodnika baterije pročitajte upute i oznake upozorenja na prilagodniku baterije.

Simboli

U nastavku su prikazani simboli koji se upotrebljavaju za opremu. Prije korištenja provjerite jeste li razumjeli njihovo značenje.



Pročitajte priručnik s uputama.



Nemojte izlagati vlazi.



Pazite se priklještenja.



Nosite zaštitne naočale.



Samo za države EU
Nemojte odlagati električnu opremu ili bateriju zajedno s kućnim otpadom!
Sukladno europskim direktivama o otpadnoj električnoj i elektroničkoj opremi, baterijama i akumulatorima te otpadnim baterijama i akumulatorima te njihovoj primjeni sukladno nacionalnim zakonima, električna oprema i baterije na kraju vijeka trajanja moraju se zasebno prikupiti i vratiti u ekološki kompatibilno postrojenje za recikliranje.

Namjena

Alat je namijenjen za podrezivanje živice.

Buka

Tipična jačina buke označena s A, određena sukladno EN62841-4-2:

Model DUH604S

Razina tlaka zvuka (L_{pA}): 79,3 dB (A)
Razina snage zvuka (L_{WA}): 90,3 dB (A)
Neodređenost (K): 3 dB (A)

Model DUH754S

Razina tlaka zvuka (L_{pA}): 80,6 dB (A)
Razina snage zvuka (L_{WA}): 91,6 dB (A)
Neodređenost (K): 3 dB (A)

Razina buke u radu može prelaziti 80 dB (A).

NAPOMENA: Deklarirana vrijednost emisije buke izmjerena je prema standardnoj metodi testiranja i može se rabiti za usporedbu jednog alata s drugim.

NAPOMENA: Deklarirana vrijednost emisije buke također se može rabiti za preliminarnu procjenu izloženosti.

⚠ UPOZORENJE: Nosite zaštitu za uši.

⚠ UPOZORENJE: Emisija buke tijekom stvarnog korištenja električnog ručnog alata se može razlikovati od deklariranih vrijednosti emisije, ovisno o načinu na koji se alat rabi, posebice ovisno o tome kakav se izradak izrađuje.

⚠ UPOZORENJE: Nemojte zaboraviti da identifikirate sigurnosne mjere zaštite rukovatelja koje se temelje na procjeni izloženosti u stvarnim uvjetima korištenja (uzimajući u obzir sve dijelove radnog ciklusa, poput vremena kada je alat isključen i kada on radi u praznom hodu, a također i vrijeme okidanja).

Vibracija

Ukupna vrijednost vibracija (troosni vektorski zbir) izračunata u skladu s EN62841-4-2:

Model DUH604S

Emisija vibracija (a_h): 2,5 m/s² ili manje
Neodređenost (K): 1,5 m/s²

Model DUH754S

Emisija vibracija (a_h): 2,5 m/s² ili manje
Neodređenost (K): 1,5 m/s²

NAPOMENA: Deklarirana vrijednost ukupnih vibracija izmjerena je prema standardnoj metodi testiranja i može se rabiti za usporedbu jednog alata s drugim.

NAPOMENA: Deklarirana vrijednost ukupnih vibracija također se može rabiti za preliminarnu procjenu izloženosti.

⚠ UPOZORENJE: Emisija vibracija tijekom stvarnog korištenja električnog ručnog alata se može razlikovati od deklariranih vrijednosti emisije, ovisno o načinu na koji se alat rabi, posebice ovisno o tome kakav se izradak izrađuje.

⚠ UPOZORENJE: Nemojte zaboraviti da identifikirate sigurnosne mjere zaštite rukovatelja koje se temelje na procjeni izloženosti u stvarnim uvjetima korištenja (uzimajući u obzir sve dijelove radnog ciklusa, poput vremena kada je alat isključen i kada on radi u praznom hodu, a također i vrijeme okidanja).

Izjava o sukladnosti EZ

Samo za države članice Europske unije

Izjava o sukladnosti EZ u privitku je Priloga A ovih uputa za upotrebu.

SIGURNOSNA UPOZORENJA

Opća sigurnosna upozorenja za električne ručne alate

⚠ UPOZORENJE: Pročitajte sva sigurnosna upozorenja, upute, ilustracije i specifikacije priložene uz ovaj električni ručni alat. Nepridržavanje svih uputa navedenih u nastavku može rezultirati strujnim udarom, požarom i/ili ozbiljnim ozljedama.

Sačuvajte sva upozorenja i upute radi kasnijeg korištenja.

Pojam „električni alat” u upozorenjima odnosi se na električni (kabelski) alat uključen u struju ili na bežične električne alate (na baterije).

Sigurnosne napomene za bežični trimmer za živicu

- Sve dijelove kućišta držite dalje od oštrica. Ne uklanjajte odrezani materijal i ne držite materijal koji treba rezati dok se oštrice miču.** Oštrice se nastavljaju okretati i nakon isključivanja. Trenutak nepažnje dok rukujete škarama za živicu može dovesti do teških osobnih ozljeda.
- Škare za živicu nosite držeći ih za ručku kada je oštrica zaustavljena i pazite da ne odjelujete niti na jedan prekidač.** Pravilnim nošenjem škara za živicu smanjuje se opasnost od nehotičnog pokretanja i posljedinih ozljeda prouzročenih oštricama.
- Kada prenosite ili spremate škare za živicu, uvijek stavite poklopac za uređaj za rezanje.** Pravilnim rukovanjem škarama za živicu smanjuje se opasnost od nehotičnog pokretanja i posljedinih ozljeda prouzročenih oštricama.
- Pazite, prilikom čišćenja zaglavljenih materijala ili servisiranja jedinice, da su svi prekidači isključeni i da je baterija izvađena ili odspojena.** Neočekivano pokretanje škara za živicu prilikom čišćenja zaglavljenog materijala ili servisiranja može dovesti do teških osobnih ozljeda.
- Škare za živicu držite isključivo za izolirane ruko-hvatne površine jer inače oštrica rezača može doći u dodir sa skrivenim kabelima.** Oštrice koje dođu u doticaj sa žicom pod naponom mogu dovesti pod napon izložene metalne dijelove škara za živicu i rukovatelj može pretrpjeti strujni udar.
- Sve električne kabele držite dalje od područja rezanja.** Za vrijeme rada može se dogoditi da kabel bude skriven u živici grmlju i da ga oštrica slučajno presječe.
- Izbjegavajte upotrebu škara za živicu s produ-ljenim dosegom u lošim vremenskim uvjetima, osobito kada postoji opasnost od munje.** Time se smanjuje opasnost od udara munje.

Dodatne sigurnosne upute

Priprema

- Prije rukovanja alatom provjerite da u živici i grmlju nema stranih predmeta, kao što su žičane ograde ili skriveni kabeli.**
- Škare za živicu ne smiju upotrebljavati djeca i osobe mlađe od 18 godina.** Mlade osobe iznad 16 godina starosti mogu biti izuzete od ovog ograničenja ako se osposobljavaju pod nadzorom stručnjaka.
- Iskusni korisnik trebao bi pokazati osobama koji ga prvi put upotrebljavaju kako se alat upotrebljava.**
- Alat upotrebljavajte samo ako ste u dobrom fizičkom stanju.** Ako ste umorni, koncentracija će vam biti smanjena. Budite osobito oprezni krajem radnog dana. Sve radove obavljajte smireno i pažljivo. Korisnik snosi odgovornost za sve ozljede nanesene trećim stranama.

5. Nikada ne upotrebljavajte alat pod utjecajem alkohola, droge ili lijekove.
6. Radne rukavice od grube kože dio su osnovne opreme alata i uvijek ih morate nositi pri radu. Također nosite čvrstu obuću s gumenim potplatom.
7. Prije početka rada provjerite je li alat u dobrom stanju sigurno za rad. Pazite da su štitnici propisno namješteni. Alat ne smijete upotrebljavati ako nije u potpunosti sastavljen.
5. Bateriju/e ne bacajte u vatru. Čelija može eksplodirati. Provjerite u lokalnim propisima postoje li posebne upute za odlaganje.
6. Ne otvarajte niti uništavajte bateriju/e. Ispušteni elektrolit korozivan je i može oštetiti oči ili kožu. Može biti otrovan ako se proguta.
7. Ne punite bateriju na kiši ili na mokrim mjestima.

Rad

1. Alat čvrsto držite s obje ruke prilikom upotrebe.
2. Alat je namijenjen za upotrebu na razini tla. Nemojte ga upotrebljavati na ljestvama ili nekoj drugoj nestabilnoj podlozi.
3. Nemojte istovremeno nositi više remena oko struka i/ili za rame kada rukujete alatom.
4. **OPASNOST** - Ruke držite dalje od oštrice. Kontakt s oštricom rezultirat će ozbiljnim tjelesnim ozljedama.
5. Alat ne upotrebljavajte kada pada kiša, ili u mokrim ili vrlo važnim uvjetima. Električni motor nije otporan na vodu.
6. Pazite da imate sigurno uporište prije početka rukovanja.
7. Ne ostavljajte alat da radi bez opterećenja ako to nije potrebno.
8. Smjesta isključite motor i uklonite baterijski uložak ako oštrica škara dođe u dodir s ogradom ili nekim čvrstim predmetom. Provjerite jesu li oštrice oštećene i ako jesu, odmah ih popravite.
9. Uvijek isključite alat i izvadite baterijski uložak, prije pregleda oštrica škara, provjere grešaka ili uklanjanja materijala koji je u njima zapeo.
10. Nemojte oštrice škara usmjeravati prema sebi ili drugima.
11. Ako se listovi prestanu pomicati zbog stranih predmeta zaglavljenih između listova tijekom rada, isključite alat i uklonite baterijski uložak, a zatim uklonite strane predmete s pomoću kliješta ili sličnog pribora. Ručno uklanjanje stranih predmeta može prouzročiti ozljedu uslijed pomicanja listova prilikom uklanjanja stranih predmeta.
12. Izbjegavajte rad u opasnom okruženju. Alat nemojte koristiti na vlažnim ili mokrim mjestima niti ga izlagati kiši. Ulazak vode u alat može povećati rizik od strujnog udara.

Održavanje i skladištenje

1. Isključite alat i uklonite baterijski uložak prije obavljanja održavanja.
2. Prilikom premještanja alata na drugu lokaciju, uključujući i tijekom rukovanja, uvijek uklonite baterijski uložak i stavite štitnik oštrice na oštrice rezača. Nikada ne nosite i ne prenosite alat dok rezač radi. Oštrice nikada ne hvatajte rukama.
3. Alat, a posebice oštrice škara, očistite nakon upotrebe, a prije no što alat spremite na dulje vrijeme. Oštrice malo nauljite i stavite štitnik.
4. Alat spremite sa štitnikom na suho mjesto. Držite ga izvan dohvata djece. Alat nikada nemojte odlagati na otvorenom.

ČUVAJTE OVE UPUTE.

▲ UPOZORENJE: NEMOJTE dozvoliti da udobnost ili znanje o proizvodu (stečeno stalnim korištenjem) zamijene strogo pridržavanje sigurnosnih propisa za određeni proizvod. ZLOUPORABA ili nepridržavanje sigurnosnih propisa navedenih u ovom priručniku s uputama mogu prouzročiti ozbiljne ozljede.

Važne sigurnosne upute za bateriju

1. Prije uporabe baterije pročitajte sve upute i oznake upozorenja na (1) punjaču za baterije, (2) bateriji i (3) proizvodu koji koristi bateriju.
2. Nemojte rastavljati ili izmjenjivati baterijski uložak. To može dovesti do požara, pretjeranog zagrijavanja ili eksplozije.
3. Ako se vrijeme rada znatno skratilo, odmah prestanite raditi. Može doći do pregrijavanja, mogućih opekline pa čak i eksplozije.
4. Ako vam elektrolit dospije u oči, isperite ih čistom vodom i odmah se obratite liječniku. Tako možete izgubiti vid.
5. Nemojte kratko spojati bateriju:
 - (1) Ne dovodite terminale u kontakt s provodljivim materijalima.
 - (2) Ne čuvajte bateriju u spremniku s drugim metalnim predmetima poput čavala, kovanica itd.
 - (3) Ne izlažite bateriju vodi ili kiši. Kratki spoj baterije može uzrokovati velik protok struje, pregrijavanje, moguće opekline pa čak i kvar.
6. Ne držite i ne upotrebljavajte alat i baterijski uložak na mjestima gdje temperatura može premašiti 50 °C (122 °F).
7. Ne spaljujte bateriju čak ni ako je ozbiljno oštećena ili potpuno istrošena. Baterija može eksplodirati u vatri.
8. Nemojte zabijati čavle u baterijski uložak, rezati ga, gnječiti, bacati ili udarati tvrdim predmetom. Ti postupci mogu dovesti do požara, pretjeranog zagrijavanja ili eksplozije.
9. Ne koristite oštećene baterije.
10. Sadržane litij-ionske baterije podliježu odredbama zakonskih propisa o opasnim tvarima. Kada se radi o komercijalnom transportu koji obavlja npr. dobavljači ili špediteri, moraju se poštovati posebni zahtjevi na pakiranju i oznakama. Prilikom pripreme isporuke takve stavke potražite savjet stručnjaka za opasne tvari. Pogledajte i moguće detaljnije nacionalne propise. Prekrijte trakom ili zaštitite otvorene kontakte i bateriju zapakirajte tako da se ne može pomicati u pakiranju.

11. Kada odlažete baterijski uložak u otpad, uklonite ga iz alata i zbrinite na sigurnom mjestu. Pridržavajte se lokalnih zakonskih propisa za zbrinjavanje baterija.
12. Upotrebljavajte baterije samo s proizvodima koje je odobrila tvrtka Makita. Umetanje baterija u neprikladne proizvode može dovesti do požara, prekomjerne topline, eksplozije ili curenja elektrolita.
13. Ako se alat ne upotrebljava dulje vrijeme, bateriju morate ukloniti iz alata.
14. Tijekom i nakon upotrebe baterijski uložak može se zagrijati i prouzročiti opekline višeg ili nižeg stupnja. Pažljivo rukujte vrućim baterijskim ulošcima.
15. Nemojte dirati priključak alata neposredno nakon upotrebe jer se može zagrijati toliko da prouzroči opekline.
16. Ne dopustite da krhotine, prašina ili zemlja zapnu u priključcima, otvorima i urezima baterijskog uloška. To može dovesti do neispravnog rada ili kvara alata ili baterijskog uloška.
17. Ako alat ne podržava upotrebu u blizini visokonaponskih električnih vodova, nemojte upotrebljavati baterijski uložak u blizini a visokonaponskih električnih vodova. To može dovesti do neispravnog rada ili kvara alata ili baterijskog uloška.
18. Bateriju čuvajte podalje od djece.

ČUVAJTE OVE UPUTE.

⚠OPREZ: Uvijek upotrebljavajte originalne baterije Makita. Upotreba baterija koje nisu originalne baterije Makita ili su izmijenjene može dovesti do rasprskavanja baterije i uzrokovati požar, tjelesnu ozljedu ili štetu. To će također poništiti jamstvo tvrtke Makita za alat i punjač Makita.

Savjeti za održavanje najduljeg vijeka trajanja baterije

1. Napunite bateriju prije nego što se potpuno isprazni. Uvijek zaustavite alat i napunite bateriju kad primijetite da alat slabije radi.
2. Nikad ne punite već do kraja napunjenu bateriju. Pretjerano punjenje skraćuje radni vijek baterije.
3. Bateriju puniti na sobnoj temperaturi između 10 °C i 40 °C. Vruću bateriju prije punjenja ostavite da se ohladi.
4. Kada ne upotrebljavate baterijski uložak, uklonite ga iz alata ili punjača.
5. Napunite bateriju ako je ne mislite koristiti duže vrijeme (duže od 6 mjeseci).

FUNKCIONALNI OPIS

⚠OPREZ: Prije podešavanja ili provjere rada alata obavezno provjerite je li stroj isključen i baterija uklonjena.

Umetanje ili uklanjanje baterije

⚠OPREZ: Uvijek isključite alat prije umetanja ili uklanjanja baterije.

⚠OPREZ: Čvrsto držite alat i bateriju pri umetanju ili uklanjanju baterije. Ako alat i bateriju ne držite čvrsto, mogli bi vam iskluznuti iz ruku te oštetiti alat i bateriju ili uzrokovati osobnu ozljedu.

► **Sl.1:** 1. Crvena oznaka 2. Gumb 3. Baterija

Za uklanjanje bateriju gurnite van iz alata pritiskom gumba na prednjoj strani uloška.

Za umetanje baterijskog uloška poravnajte jezičac na baterijskom ulošku s utorom na kućištu i gurnite ga na mjesto. Umetnite baterijski uložak do kraja dok ne sjedne na svoje mjesto uz mali klik. Ako možete vidjeti crvenu oznaku na gornjoj strani gumba, baterijski uložak nije do kraja sjeo na svoje mjesto.

⚠OPREZ: Uvijek umetnite baterijski uložak do kraja tako da ne možete vidjeti crvenu oznaku. U suprotnom može slučajno ispasti iz alata, što može dovesti do ozljede vas ili nekog u blizini.

⚠OPREZ: Ne umećite bateriju silom. Ako baterija ne klizne lagano, znači da nije ispravno umetnuta.

Prikaz preostalog kapaciteta baterije

Samo za baterijske uloške s indikatorom

► **Sl.2:** 1. Žaruljice indikatora 2. Gumb za provjeru

Pritisnite gumb za provjeru na bateriji kako biste provjerili preostali kapacitet baterije. Žaruljica indikatora zasvijetliće na nekoliko sekundi.

Žaruljice indikatora			Preostali kapacitet
Svijetli	Isključeno	Treperi	
			75 % do 100 %
			50 % do 75 %
			25 % do 50 %
			0 % do 25 %
			Napunite bateriju.
			Baterija je možda neispravna.

NAPOMENA: Ovisno o uvjetima upotrebe i temperaturi okoline, prikaz indikatora može se donekle razlikovati od stvarnog kapaciteta.

NAPOMENA: Prva (krajnja lijeva) žaruljica indikatora treperit će dok radi sustav za zaštitu baterije.

Prilagodba brzine
















Brzinu alata možete namjestiti pritiskom na glavni gumb za uključivanje. Svaki put kada pritisnete glavni gumb za uključivanje, promijenit će se razina brzine.

► **Sl.3:** 1. Indikator brzine 2. Glavni gumb za uključivanje

Indikator	Način rada	Brzina udara
  	Visoko	4.400 min ⁻¹
  	Srednje	3.600 min ⁻¹
  	Nisko	2.000 min ⁻¹

Sustav zaštite alata/baterije

Ovaj alat sadrži sustav zaštite alata/baterije. Sustav automatski prekida napajanje motora da bi produžio vijek trajanja alata i baterije. Alat automatski prestaje raditi ako se alat ili baterija nađu u nekom od sljedećih uvjeta:

Status	Žaruljice indikatora		
	 Uključeno	 Isključeno	 Treperi
Preopterećenje		  	
Pregrijavanje	  	  	
Pražnjenje		  	

Zaštita od preopterećenja

Ako dođe do preopterećenja alata zbog zapetljanih grančica ili drugih ostataka, indikator za „2” i „3” počeo će treperiti, a alat se automatski zaustavlja.

U tom slučaju isključite alat i prekinite radnje koje su izazvale preopterećenje alata. Zatim uključite alat kako biste ga pokrenuli.

NAPOMENA: Ovisno o uvjetima upotrebe, alat se automatski isključuje bez ikakvih naznaka je li preopterećen zaglavljenim grančicama ili otpadom. U tom slučaju, isključite alat i uklonite baterijski uložak, a zatim uklonite zaglavljene grančice ili ostatke s pomoću klijesta ili sličnog pribora. Nakon uklanjanja grančica ili ostataka umetnite baterijski uložak i ponovno uključite alat.

Zaštita od pregrijavanja alata ili baterije

Postoje dvije vrste pregrijavanja, pregrijavanje alata i pregrijavanje baterije. Ako dođe do pregrijavanja alata, svi indikatori brzine trepere. Ako dođe do pregrijavanja baterije, indikator „1” treperi.

Ako dođe do pregrijavanja, alat se automatski zaustavlja. Pričekajte da se alat i/ili baterija ohlade prije nego što ponovno uključite alat.

Zaštita od prekomjernog pražnjenja

Ako je kapacitet baterije preslab, alat se automatski zaustavlja i treperi indikator brzine „1”.

Ako alat ne radi ni nakon aktivacije sklopki, uklonite bateriju iz alata i napunite je.

Radnja uključivanja napajanja

▲ UPOZORENJE: Ovaj je alat, radi vaše sigurnosti, opremljen ručicom za blokadu koja sprječava nehотиčno pokretanje. **NIKADA** ne upotrebljavajte alat ako se uključi običnim povlačenjem uključno/isključne sklopke, a da prethodno niste pritisnuli ručicu za blokadu. Vratite alat u ovlaštenu servisnu centar na popravak **PRIJE** daljnje upotrebe.

▲ UPOZORENJE: **NIKADA** ne učvršćujte vrpcom ručicu za blokadu niti onemogućuje njezinu funkciju.

▲ UPOZORENJE: Prije umetanja baterijskog uložka u alat uvijek provjerite radi li ispravno uključno/isključna sklopka i ručica prekidača i vraćaju li se u položaj za isključivanje „OFF” nakon otpuštanja. Rad s alatom na kojem sklopka ne radi ispravno može dovesti do gubitka kontrole i teških tjelesnih ozljeda.

▲ OPREZ: Prilikom nošenja nikad nemojte stavljati prst na uključno/isključnu sklopku. Alat se nehottično može pokrenuti i prouzročiti ozljede.

NAPOMENA: Uključno/isključnu sklopku nemojte jako povlačiti ako niste pritisnuli polugu za blokadu. Tako bi se mogla slomiti sklopka.

Pritisnite glavni gumb za uključivanje da biste uključili alat. Žaruljica napajanja uključuje se kada se alat uključi. Alat isključite tako da ponovo pritisnete i držite glavni gumb za uključivanje. Žaruljica napajanja isključuje se nakon isključivanja alata.

► **Sl.4:** 1. Žaruljica napajanja 2. Glavni gumb za uključivanje

NAPOMENA: Alat se automatski isključuje nakon što se njime ne rukuje određeno vremensko razdoblje.

Ručica je postavljena da bi se spriječilo slučajno povlačenje uključno/isključne sklopke. Alat pokrenite tako da povučete prednju uključno/isključnu sklopku i zatim povučete stražnju uključno/isključnu sklopku dok pritišćete ručicu. Kada otpustite bilo koju uključno/isključnu sklopku, alat se zaustavlja.

► **SI.5:** 1. Ručica 2. Stražnja uključno/isključna sklopka 3. Prednja uključno/isključna sklopka

Gumb za promjenu smjera vrtnje za uklanjane ostataka

UPOZORENJE: Ako nije moguće ukloniti zaglavljene grančice ili ostatke funkcijom obrnutog kretanja, isključite alat i uklonite baterijski uložak, a zatim uklonite zaglavljene grančice ili ostatke s pomoću kliješta ili sličnog pribora. Ako ne isključite alat i ne uklonite baterijski uložak, može doći do ozbiljne tjelesne ozljede zbog slučajnog pokretanja. Uklanjanje zaglavljenih grančica ili ostatak rukom može rezultirati ozljeđivanjem jer se oštrice škara mogu pomaknuti prilikom uklanjanja.

Ovaj alat ima gumb za promjenu smjera kretanja oštrica škara. Upotrebljava se samo za uklanjanje grančica i ostataka zapetljanih u alatu.

Kako biste promijenili smjer kretanja oštrica škara, pritisnite gumb za promjenu smjera kretanja kad se oštrice škara zaustave, zatim povucite prednju uključno/isključnu sklopku pa zatim povucite stražnju uključno/isključnu sklopku dok pritišćete ručicu. Žaruljica napajanja započinje treperiti, a oštrice škara se kreću u obratnom smjeru.

Nakon što se uklone zapetljane grančice i otpaci, alat se vraća u uobičajen rad i žaruljica napajanja prestaje treperiti i počinje kontinuirano svijetliti.

► **SI.6:** 1. Žaruljica napajanja 2. Gumb za promjenu smjera vrtnje

NAPOMENA: Ako nije moguće ukloniti zapetljane grančice ili ostatke, otpustite uključno/isključne sklopke, zatim pritisnite gumb za promjenu smjera kretanja i povucite uključno/isključne sklopke dok se ne one uklone.

NAPOMENA: Ako dodirnete gumb za promjenu smjera kretanja dok se oštrice škara još uvijek kreću, alat se zaustavlja i priprema za kretanje u suprotnom smjeru.

MONTAŽA

OPREZ: Prije izvođenja bilo kakve radnje na alatu obavezno provjerite je li stroj isključen i baterija uklonjena.

OPREZ: Kada mijenjate oštrice škara, uvijek nosite rukavice tako da ruke nisu izravno izložene oštricama.

NAPOMENA: Pri zamjenjivanju oštrica škara nemojte brisati mast sa župčanika ili vratila.

Montiranje ili uklanjanje oštrica škara

OPREZ: Postavite štitnik oštrice prije uklanjanja ili postavljanja oštrica škara.

Na alat možete instalirati rezne oštrice od 600 mm ili 750 mm.

NAPOMENA: Ako rezne oštrice zamjenjujete onima druge duljine, zamijenite spremnik za strugotine onim koji odgovara oštricama.

1. Uklonite četiri vijka (za DUH604S) ili pet vijaka (za DUH754S), a zatim uklonite spremnik za strugotine s alata.

► **SI.7:** 1. Spremnik za strugotine 2. Vijak

2. Postavite alat tako da je okrenut naopačke, a zatim uklonite šest vijaka.

► **SI.8:** 1. Vijak

3. Uklonite poklopac i ploču.

► **SI.9:** 1. Poklopac 2. Ploča

NAPOMENA: Ploča smije ostati na poklopcu.

4. Skinite šipku i ležaj.

► **SI.10:** 1. Šipka 2. Ležaj

NAPOMENA: Šipka ili ležaj smiju ostati na poklopcu.

5. Uklonite tri vijka, tri rukavca i podložak od filca, a zatim uklonite oštrice škara.

► **SI.11:** 1. Vijak 2. Rukavac 3. Podložak od filca 4. Oštrice škara

NAPOMENA: Pazite da ne izgubite vijke.

6. Skinite štitnik oštrice i zatim ga pričvrstite na nove oštrice škara.

► **SI.12**

7. Prilagodite vratilo tako da dva otvora budu usklađena s linijom poravnjanja.

► **SI.13:** 1. Otvor 2. Linija poravnjanja

8. Poravnajte izbočine na oštricama škara okomito u isti položaj.

► **SI.14:** 1. Izbočina

9. Umetnite vijak uklonjen u 5. koraku u otvor na oštricama škara kako biste privremeno fiksirali oštrice škara, a zatim pričvrstite podložak od filca na oštrice škara.

► **SI.15:** 1. Vijak 2. Podložak od filca 3. Otvor

10. Umetnite izbočine na oštricama škara u otvor na šipci, zatim poravnajte položaj podloška od filca s otvorima na alatu. Pričvrstite dva nova rukavca.

► **SI.16:** 1. Podložak od filca 2. Izbočina 3. Otvor 4. Rukavac

NAPOMENA: Stavite malo masti oko unutarnjeg ruba na otvoru šipke.

NAPOMENA: Pazite da ne izgubite rukavce.

11. Poravnajte otvore na rukavcima i oštrice škara s otvorima na alatu, a zatim zategnite dva vijka kako biste privremeno fiksirali oštrice škara.

► **SI.17:** 1. Vijak

12. Pričvrstite novi rukavac.

► **SI.18:** 1. Rukavac

13. Uklonite vijak umetnut u otvor na oštricama škara u 9. koraku, a zatim zategnite vijak zajedno s rukavcem kako biste fiksirali oštrice škara.

► **SI.19:** 1. Vijak

14. Čvrsto pritegnite vijke koji su privremeno učvršćeni u 11. koraku.

15. Pričvrstite ležaj i šipku.

► **SI.20:** 1. Šipka 2. Mali otvor 3. Ležaj

NAPOMENA: Stavite malo masti oko unutarnjeg ruba na malom otvoru šipke.

NAPOMENA: Pazite da izbočina na oštrici škara odgovara malom otvoru na šipci.

16. Pričvrstite ploču.

► **SI.21:** 1. Izbočina 2. Ploča

NAPOMENA: Pazite da izbočina na oštrici škara odgovara otvoru na ploči.

17. Pričvrstite poklopac, a zatim zategnite šest vijaka.

► **SI.22:** 1. Vijak 2. Poklopac

18. Pričvrstite spremnik za strugotine na alat tako što ćete zategnuti četiri vijka (za DUH604S) ili pet vijaka (za DUH754S).

► **SI.23:** 1. Spremnik za strugotine 2. Vijak

NAPOMENA: Ako se oštrice škara ne kreću lako, oštrice ne zahvaćaju šipke pravilno. Ponovo postavite oštrice škara.

NAPOMENA: Ako su istrošeni drugi dijelovi, primjerice šipke, zatražite zamjenu dijelova ili popravak od ovlaštenih servisnih centara tvrtke Makita.

Skidanje ili postavljanje spremnika za strugotine

▲ OPREZ: Kada postavljate ili uklanjate spremnik za strugotine, uvijek nosite rukavice tako da ruke nisu izravno izložene oštricama škara.

Spremnik za strugotine prikuplja odbačeno lišće i olakšava čišćenje nakon rada.

Kako biste uklonili spremnik za strugotine, uklonite četiri vijka (za DUH604S) ili pet vijaka (za DUH754S), a zatim uklonite spremnik za strugotine s alata. Želite li postaviti spremnik za strugotine, slijedite postupak uklanjanja obrnutim redoslijedom.

► **SI.24:** 1. Spremnik za strugotine 2. Vijak

RAD

▲ UPOZORENJE: Ruke držite dalje od oštrica škara.

▲ OPREZ: Izbjegavajte rukovanje alatom na visokim temperaturama koliko god je moguće. Kada rukujete alatom pazite na svoje fizičko stanje.

▲ OPREZ: Pazite da slučajno ne dodirnete metalnu ogradu ili neki drugi čvrsti predmet tijekom rezanja. Oštrice škara mogu se slomiti i prouzročiti ozbiljnu ozljedu.

▲ OPREZ: Nemojte dopustiti da oštrice škara dodiruju tlo. Alat može odskočiti i prouzročiti ozljede.

▲ OPREZ: Predaleko doseganje trimenom za živicu, osobito sa ljestvi, iznimno je opasno. Nemojte raditi stojeći na nesigurnoj ili mekanjoj podlozi.

NAPOMENA: Ne pokušavajte rezati grane deblje od 10 mm ovim alatom. Odrežite grane do 10 cm ispod visine rezanja s pomoću rezača za grane prije upotrebe alata.

► **SI.25:** (1) Visina rezanja (2) 10 cm

NAPOMENA: Ne režite mrtva stabla ili slične čvrste objekte. U protivnom možete oštetiti alat.

NAPOMENA: Ne režite travu ili korov kada koristite oštrice škara. Oštrice škara mogu zapeti u travu ili korovu.

Držite prednju ručku svojom desnom rukom i stražnju ručku lijevom. Povucite prednju uključno/isključnu sklopku, zatim povucite stražnju uključno/isključnu sklopku sok pritišćete ručicu i alat zatim pomaknite prema naprijed.

► **SI.26**

Za osnovni rad nagnite oštrice škara u smjeru rezanja i pomaknite ga lagano i blago brzinom od 3 do 4 sekundi po metru.

► **SI.27**

Da biste rezali gornji dio živice ravnomjerno, zavežite žicu na željenu visinu pa režite uz nju.

► **SI.28**

Spremnik za strugotine prikuplja odbačeno lišće i olakšava čišćenje nakon rada.

► **SI.29**

Da biste živicu ravnomjerno rezali sa strane, režite odozdo prema gore.

► **SI.30**

Kada režete kako biste dobili okrugao oblik (rezanje šimširovine ili rododendrona i sl.), režite od korijena prema vrhu da biste postigli lijep izgled.

► **SI.31**

ODRŽAVANJE

⚠ OPREZ: Prije svih zahvata na stroju provjerite jeste li isključili stroj i uklonili bateriju.

Da biste zadržali SIGURNOST I POUZDANOST proizvoda, održavanje ili namještanja trebali biste prepustiti ovlaštenim servisnim ili tvorničkim centrima tvrtke Makita; uvijek rabite originalne rezervne dijelove.

Čišćenje alata

Očistite alat brisanjem prašine suhom krpom ili krpom namočenom u sapunicu a zatim iscijeđenom.

NAPOMENA: Nikada nemojte koristiti benzin, mješavinu benzina, razrjeđivač, alkohol ili slično. Kao rezultat toga može se izgubiti boja, pojaviti deformacija ili pukotine.

Održavanje škara za rezanje

Prije rada ili jednom po satu tijekom rada, stavite ulje niske viskoznosti (motorno ulje ili nanesite ulje za podmazivanje iz spreja) na oštrice škara.

► SI.32

Nakon rada očistite prašinu s oštrica škara žičanom četkom, obrišite ih krpom i zatim nanesite dovoljno ulja niske viskoznosti (motorno ulje ili nanesite ulje za podmazivanje iz spreja) na oštrice škara.

► SI.33

NAPOMENA: Oštrice škara ne perite u vodi. U protivnom alat može zahrđati ili se oštetiti.

NAPOMENA: Prljavština i korozija uzrokuju pretjerano trenje oštrice i skraćuju vrijeme rada po punjenju baterije.

Skladištenje

Rupa za kuku na dnu alata prikladna je za vješanje alata na čavao ili vijak na zidu. Izvadite baterijski uložak iz alata i pričvrstite poklopac oštrice na oštrice škara kako biste ih zaštitili. Pohranite alat tako da ne bude dostupan djeci. Alat spremite na mjesto koje nije izloženo vlazi ili kiši.

► SI.34: 1. Rupa

Brušenje oštrica škara

NAPOMENA: Ako su se oštrice škara značajno iskrivile brušenjem, zamijenite ih novima.

1. Umetnite baterijski uložak u alat.
2. Uključite i pokrenite alat tako da se gornja i donja oštrica izmjenjuju.

► SI.35

3. Isključite alat i uklonite baterijski uložak iz alata.
4. Postavite kut brusa na 45°, a zatim brusite gornju oštricu iz 3 smjera.

► SI.36: (1) Brus (2) 45°

⚠ OPREZ: Prije brušenja oštrica škara obavezno provjerite jeste li isključili alat i uklonili baterijski uložak.

5. Postavite alat naopako, a zatim brusnim kamenom uklonite strugotine s oštrica škara.

► SI.37: 1. Brusni kamen

6. Postavite kut brusa na 45°, a zatim brusite donju oštricu iz 3 smjera.

7. Postavite alat u normalan položaj, a zatim brusnim kamenom uklonite strugotine s oštrica škara.

Podmazivanje

Interval podmazivanja: Svakih 100 radnih sati

1. Izvadite vijak iz otvora za podmazivanje.

► SI.38: 1. Vijak

2. Skinite poklopac s posude za mazivo. Poravnajte izlaz posude za mazivo s otvorom na poklopcu i zatim pritisnite izlaz posude za mazivo na otvor.

► SI.39: 1. Posuda za mazivo 2. Otvor

3. Nanesite mazivo na alat (pribl. 5 g okvirno).

4. Zategnite vijak.

RJEŠAVANJE PROBLEMA

Prije nego zatražite popravak, sami pregledajte stroj. Ako pronađete problem za koji ne postoji objašnjenje u uputama, nemojte pokušavati rastaviti alat. Umjesto toga obratite se ovlaštenom servisnom centru tvrtke Makita koji za popravke uvijek koristi zamjenske dijelove tvrtke Makita.

Stanje nepravilnosti	Mogući uzroci (kvar)	Otklanjanje problema
Motor ne radi.	Uložak baterije nije postavljen.	Umetnite bateriju.
	Problem s baterijom (pod naponom)	Napunite bateriju. Ako punjenje nema učinka, zamijenite bateriju.
	Pogonski sustav ne radi pravilno.	Za popravak se obratite lokalnom ovlaštenom servisu.
Motor prestaje raditi nakon kratke upotrebe.	Razina napunjenosti baterije je niska.	Napunite bateriju. Ako punjenje nema učinka, zamijenite bateriju.
	Pregrijavanje.	Prekinite upotrebu alata kako bi se ohladio.
Alat ne doseže maksimalni broj okretaja u minuti.	Baterija je nepravilno postavljena.	Postavite bateriju kako je opisano u ovom priručniku.
	Snaga baterije pada.	Napunite bateriju. Ako punjenje nema učinka, zamijenite bateriju.
	Pogonski sustav ne radi pravilno.	Za popravak se obratite lokalnom ovlaštenom servisu.
Oštrice škara se ne pomiču: ⇒ odmah zaustavite stroj!	Strani predmeti zahvaćeni su između oštrica škara.	1. Upotrijebite gumb za promjenu smjera kretanja. 2. Isključite alat i uklonite baterijski uložak, a zatim uklonite zaglavljene strane predmete s pomoću kliješta ili sličnog pribora.
	Pogonski sustav ne radi pravilno.	Za popravak se obratite lokalnom ovlaštenom servisu.
Neuobičajene vibracije: ⇒ odmah zaustavite stroj!	Oštrice škara su puknute, savijene ili istrošene.	Zamijenite oštrice škara.
	Pogonski sustav ne radi pravilno.	Za popravak se obratite lokalnom ovlaštenom servisu.
Oštrice škara i motor ne zaustavljaju se: ⇒ Odmah izvadite bateriju!	Električni kvar.	Izvadite bateriju i obratite se ovlaštenom lokalnom servisu radi popravka.

DODATNI PRIBOR

⚠OPREZ: Ovaj dodatni pribor ili priključci preporučuju se samo za upotrebu s alatom Makita navedenim u ovom priručniku. Upotreba bilo kojeg drugog dodatnog pribora ili priključaka može prouzročiti ozljede. Upotrebjavajte dodatni pribor ili priključak samo za njegovu navedenu svrhu.

Ako vam je potrebna pomoć za više detalja u pogledu ovih dodatnih pribora, obratite se najbližem Makita servisnom centru.

- Sklop oštrice škara
- Spremnik za strugotine
- Posuda za mazivo
- Originalna baterija i punjač Makita

NAPOMENA: Neke stavke iz popisa se mogu isporučiti zajedno sa strojem kao standardni dodatni pribori. Oni mogu biti različiti ovisno o zemlji.

СПЕЦИФИКАЦИИ

Модел:	DUH604S	DUH754S
Должина на сечилото	600 мм	750 мм
Потези во минута	2.000 / 3.600 / 4.400 мин. ⁻¹	
Вкупна должина	1.061 мм	1.200 мм
Номинален напон	D.C. 18 V	
Нето тежина	3,4 - 3,9 кг	

- Поради нашата континуирана програма за истражување и развој, спецификациите тука подлежат на промена без најава.
- Спецификациите може да се разликуваат од држава до држава.
- Тежината може да се разликува во зависност од додаточите, вклучувајќи ја и касетата за батерија. Најлесната и најтешката комбинација, согласно процедурата на ЕПТА 01/2014 (Европската асоцијација за електрични алати), се прикажани во табелата.

Применлива касета за батерија и полнач

Касета за батерија	BL1815N / BL1820 / BL1820B / BL1830 / BL1830B / BL1840 / BL1840B / BL1850 / BL1850B / BL1860B
Полнач	DC18RC / DC18RD / DC18RE / DC18SD / DC18SE / DC18SF / DC18SH

- Некои од касетите за батерии и полначите наведени погоре може да не се достапни зависно од регионот во кој живеете.

▲ ПРЕДУПРЕДУВАЊЕ: Користете ги само касетите за батерии и полначите наведени погоре. Користењето какви било поинакви касети за батерии и полначи може да создаде ризик од повреда и/или пожар.

Препорачан адаптер за батерија

Конвертер на батерии	PDC01
----------------------	-------

- Некои од адаптерите за батерии наведени погоре може да не се достапни зависно од регионот во кој живеете.
- Пред користење адаптер за батерија, прочитајте ги упатството и ознаките за препознатливост на адаптерот за батерија.

Симболи

Долунаведените ги прикажуваат символите што може да се користат кај опремата. Пред употребата, проверете дали го разбирате нивното значење.



Прочитајте го упатството за користење.



Да не се изложува на влага.



Пазете се од штипување.



Носете безбедносни очила.



Само за земјите на ЕУ
Не фрлајте ја електричната опрема или батеријата заедно со домашниот отпад! Земалки ги предвид европските директиви за отпадна електрична и електронска опрема и за батерии и акумулатори и отпадни батерии и акумулатори и нивното спроведување во согласност со националните закони, електричната опрема и батеријата/ите на крајот на нивниот работен век мора да се собираат одделно и да се вратат во еколошки објект за рециклирање.

Наменета употреба

Алатот е наменет за стрижење живи огради.

Бучава

Типична А-вредност за ниво на бучавата одредена во согласност со EN62841-4-2:

Модел DUH604S

Ниво на звучниот притисок (L_{PA}): 79,3 dB (A)

Ниво на јачина на звукот (L_{WA}): 90,3 dB (A)

Отстапување (K): 3 dB (A)

Модел DUN754S

Ниво на звучниот притисок (L_{pA}): 80,6 dB (A)

Ниво на јачина на звукот (L_{WA}): 91,6 dB (A)

Отстапување (K): 3 dB (A)

Нивото на бучава при работа може да надмине 80 dB (A).

НАПОМЕНА: Номиналната вредност(и) за емисија на бучава е измерена во согласност со стандардни методи за испитување и може да се користи за споредување алати.

НАПОМЕНА: Номиналната вредност(и) за емисија на бучава може да се користи и како прелиминарна процена за изложеност.

▲ ПРЕДУПРЕДУВАЊЕ: Носете заштита за ушите.

▲ ПРЕДУПРЕДУВАЊЕ: Емисијата на бучава при фактичкото користење на алатот може да се разликува од номиналната вредност(и), зависно од начинот на којшто се користи алатот, особено од тоа како вид работен материјал се обработува.

▲ ПРЕДУПРЕДУВАЊЕ: Погрижете се да ги утврдите безбедносните мерки за заштита на лицето кое ракува со алатот врз основа на процена на изложеноста при фактичките услови на употреба (земајќи ги предвид сите делови на работниот циклус, како периодите кога електричниот алат е исклучен и кога работи во празен од, не само кога е активен).

Вибрации

Вкупна вредност на вибрациите (векторска сума на три оски) одредена во согласност со EN62841-4-2:

Модел DUN604S

Ширење вибрации (a_h): 2,5 m/c^2 или помалку
Отстапување (K): 1,5 m/c^2

Модел DUN754S

Ширење вибрации (a_h): 2,5 m/c^2 или помалку
Отстапување (K): 1,5 m/c^2

НАПОМЕНА: Вкупната вредност(и) на номиналната јачина на вибрациите е измерена во согласност со стандардни методи за испитување и може да се користи за споредување алати.

НАПОМЕНА: Вкупната вредност(и) на номиналната јачина на вибрациите може да се користи и како прелиминарна процена за изложеност.

▲ ПРЕДУПРЕДУВАЊЕ: Јачината на вибрациите при фактичкото користење на алатот може да се разликува од номиналната вредност(и), зависно од начинот на којшто се користи алатот, особено од тоа како вид работен материјал се обработува.

▲ ПРЕДУПРЕДУВАЊЕ: Погрижете се да ги утврдите безбедносните мерки за заштита на лицето кое ракува со алатот врз основа на процена на изложеноста при фактичките услови на употреба (земајќи ги предвид сите делови на работниот циклус, како периодите кога електричниот алат е исклучен и кога работи во празен од, не само кога е активен).

Декларација за сообразност од ЕУ

Само за земјите во Европа

Декларацијата за сообразност од ЕУ е вклучена во Додаток А од упатствата за корисникот.

БЕЗБЕДНОСНИ ПРЕДУПРЕДУВАЊА

Општи упатства за безбедност за електричните алати

▲ ПРЕДУПРЕДУВАЊЕ: Прочитајте ги сите безбедносни предупредувања, упатства, илустрации и спецификации дадени со електричниот алат. Ако не се почитуваат сите упатства наведени подолу, може да дојде до струен удар, пожар и/или сериозни повреди.

Чувајте ги сите предупредувања и упатства за да може повторно да ги прочитате.

Под терминот „електричен алат“ во предупредувањата се мисли на вашиот електричен алат кој работи на струја (со кабел) или на батерии (безжично).

Безбедносни предупредувања за безжичната фреза за жива ограда

1. **Држете ги сите делови од телото настрана од сечилото. Не отстранувајте го пресечениот материјал и не држете го материјалот што треба да се сече кога сечилата се во движење.** Сечилата продолжуваат да се вртат откако прекинувачот ќе се исклучи. Момент на невнимание при работата со тримерот за жива ограда може да резултира со тешка телесна повреда.
2. **Носете го тримерот за жива ограда за рачката, со запрено сечило и внимавајќи да не работите со ниеден прекинувач за напојување.** Правилното носење на тримерот за жива ограда ќе го намали ризикот од ненамерно стартување и резултирање со физичка повреда од сечилата.
3. **Кога го транспортирате или складираат тримерот за жива ограда, секогаш поставувајте го капакот на сечилото.** Правилното ракување со тримерот за жива ограда ќе го намали ризикот од физичка повреда од сечилата.
4. **Кога чистите заглавен материјал или ја сервисирате единицата, осигурете се дека сите прекинувачи за напојување се исклучени и дека батериите се извадени или исклучени.** Неочекуваното активирање на тримерот за жива ограда додека се чисти заглавен материјал или се сервисира може да резултира со сериозна физичка повреда.

5. **Држете го тримерот за жива ограда само за изолираните држачи затоа што сечилото може да дојде во допир со скриени жици.** Сечилата што ќе допрат жица под напон може да ја пренесат струјата до изложените метални делови на тримерот за жива ограда и да предизвика струен удар на операторот.
6. **Држете ги сите жици за напојување и каблите подалеку од областа каде што се сече.** Жлиците за напојување или каблите може да бидат скриени во живите огради или грмушките и може случајно да се пресечат со сечилото.
7. **Не користете го тримерот за жива ограда при лоши временски услови, особено кога има ризик од грмотевици.** Ова го намалува ризикот од удар на гром.
5. **Не користете алатот на дожд или во влажни или многу мокри услови.** Електромоторот не е водоотпорен.
6. **Осигурете стабилна потпора со стапалата пред да почнете со работа.**
7. **Не работете со алатот без оптоварување кога тоа не е неопходно.**
8. **Веднаш исклучете го алатот и извадете ја касетата за батерија ако сечилата за стрижење дојдат во допир со цврста ограда или друг тврд предмет.** Проверете дали се оштитиле сечилата и, ако се оштетени, веднаш заменете ги.
9. **Секогаш пред да ги проверите сечилата за стрижење, поправете дефекти или отстраните материјали заглавени во сечилата за стрижење, исклучувајте го алатот и вадете ја касетата за батерија.**
10. **Никогаш не насочувајте ги сечилата за стрижење кон себе или кон другите.**
11. **Доколку сечилата престанат да се движат поради заглавувањето туѓи предмети помеѓу нив за време на работата, исклучете го алатот и отстранете ја касетата за батерија, а потоа отстранете ги туѓите предмети користејќи алати како клешта.** Отстранувањето на туѓите предмети со раце може да предизвика повреда од причина што сечилата може да се поместат како реакција на отстранување на туѓите предмети.

Дополнителни безбедносни упатства

Подготовка

1. **Проверете дали има туѓи предмети во живата ограда и грмушките, како на пример, жичени огради или сокриени кабли, пред да започнете со работата.**
2. **Алатот не смеат да го користат деца или млади лица под 18-годишна возраст.** Младите лица над 16-годишна возраст може да бидат исклучени од ова ограничување кога се обучуваат под надзор на стручно лице.
3. **Корисниците-почетници треба да бидат обучени од искусен корисник кој треба да им покаже како се користи алатот.**
4. **Користете го алатот само ако сте во добра физичка состојба.** Ако сте уморни, вашето внимание ќе биде намалено. Бидете особено внимателни на крајот од работниот ден. Сите работи изведувајте ги смирено и внимателно. Корисникот е одговорен за сите штети нанесени на трети страни.
5. **Никогаш не користете го алатот кога сте под влијание на алкохол, наркотични средства или лекаства.**
6. **Работните кожни ракавици се дел од основната опрема на алатот и мора да се носат кога се работи со неа. Исто така, носете обувки со дебели фони што не се лизгаат.**
7. **Пред да започнете со работа, проверете и осигурете се дека алатот е безбеден и е во добра работна состојба.** Осигурете се дека штитниците се правилно поставени. Алатот не смее да се користи освен ако не е целосно составен.
12. **Избегнувајте опасни средини. Не користете го алатот на влажни места и не изложувајте го на дожд. Ако навлезе вода во алатот, тоа може да го зголеми ризикот од струен удар.**

Одржување и чување

1. **Исклучете го алатот и извадете ја касетата за батерија пред да изведете какво било одржување.**
2. **Кога го преместувате алатот на друго место, вклучувајќи и за време на работата, секогаш вадете ја касетата за батерија и поставувајте го капакот на сечилото на сечилата за стрижење.** Никогаш не носете го ниту транспортирајте го алатот додека сечилата се во движење. Никогаш не фаќајте ги сечилата со вашите раце.
3. **Чистете го алатот и особено сечилата за стрижење по употребата и пред складирање на алатот за подолги периоди.** Подмачкајте ги малку сечилата и поставете го капакот на сечилото.
4. **Складирајте го алатот со поставен капак на сечилото во сува просторија.** Држете го подалеку од дофат на деца. Никогаш не складирајте го алатот на отворено.
5. **Не фрлајте ги батериите во оган.** Келијата може да експлодира. Проверете ги локалните прописи за можни упатства за специјален отпад.
6. **Не отворајте ги и не уништувајте ги батериите.** Електролитот што се ослободува е корозивен и може да предизвика оштетување на очите или кожата. Може да е токсичен ако се голтне.

Работење

1. **Држете го алатот цврсто со двете раце кога го користите.**
2. **Алатот е наменет за операторот да го користи на ниво на почвата.** Не користете го алатот на скали ниту на некоја друга нестабилна потпора.
3. **Кога работите со алатот, не носете истовремено повеќе ремени за појас и/или рамо.**
4. **ОПАСНОСТ - Држете ги рацете настрана од сечилото.** Контактот со сечилото ќе резултира со сериозна телесна повреда.

7. Не полнете ја батеријата на дожд или на влажни места.

ЧУВАЈТЕ ГО УПАТСТВОТО.

▲ПРЕДУПРЕДУВАЊЕ: НЕ ДОЗВОЛУВАЈТЕ удобноста или познавањето на производот (стекнати со подолга употреба) да ве наведат да не се придржувате строго до безбедносните правила за овој производ. ЗЛОУПОТРЕБАТА или непочитувањето на безбедносните правила наведени во ова упатство може да предизвикаат тешка телесна повреда.

Важни безбедносни упатства за касетата за батеријата

1. Пред користење на касетата за батеријата, прочитајте ги сите упатства и ознаки за претпазливост на (1) полначот за батеријата, (2) батеријата и (3) производот што ја користи батеријата.
2. Не расклопувајте ја, ниту експериментирајте со касетата за батеријата. Тоа може да резултира со оган, прекумерна топлина или експлозија.
3. Ако оперативното времето станало прекумерно кратко, престанете веднаш со работа. Тоа може да резултира со ризик од прегревање, можни изгореници, па дури и експлозија.
4. Ако електролит навлезе во вашите очи, измијте ги со чиста вода и побарajte медицинска нега веднаш. Тоа може да резултира со губење на вашиот вид.
5. Не предизвикувајте спој на касетата за батеријата.
 - (1) Не допирајте ги контактите со никаков проводлив материјал.
 - (2) Избегнувајте да ја чувате касетата за батерија во сад со други метални предмети како што се шајки, монети и сл.
 - (3) На изложувајте ја касетата за батеријата на вода или дожд.Краткиот спој на батеријата може да предизвика голем проток на електрична енергија, прегревање, можни изгореници, па дури и пад на напојувањето.
6. Не складирајте и не користете ги алатот и касетата за батеријата на места каде што температурата може да достигне или надминува 50 °C (122 °F).
7. Не палете ја касетата за батеријата дури и кога е многу оштетена или целосно потрошена. Касетата за батеријата може да експлодира ако се стави во оган.
8. Не заковувајте ја, сечете ја, фрлајте ја, испуштајте ја касетата за батерија, ниту удирајте ја од тврд предмет касетата за батеријата. Таквото однесување може да резултира со оган, прекумерна топлина или експлозија.

9. Не користете оштетена батерија.

10. Содржаните батерии со литиумови јони се подложни на условите во Правилата за опасни предмети.

За комерцијален транспорт на пр. од трети лица и посредници, мора да се следат посебните услови на пакувањата или ознаките. При подготовка на предметот кој треба да се испрати, консултирајте се со експерт за опасни материјали. Исто така, следете ги потенцијално подеталните национални правила. Залепете ги со леплива лента или маскирајте ги отворените контакти, а батеријата спакувајте ја, така што нема да се движи слободно во пакувањето.

11. Кога ја фрлате во отпад касетата за батеријата, извадете ја од алатот и фрлете ја на безбедно место. Почитувајте ги локалните законски прописи што се однесуваат на фрлање во отпад на батеријата.
12. Користете ги батериите само со производите назначени од Makita. Монтирањето батерии на неусогласените производи може да резултира со пожар, прекумерна топлина, експлозија или истекување на електролитот.
13. Доколку алатот не се користи подолг временски период, батеријата мора да се извади од алатот.
14. Пред и по употребата, касетата за батеријата може да прими топлина што може да предизвика изгореници или изгореници од ниска температура. Внимавајте како ракувате со жешките касети за батерии.
15. Не допирајте го терминалот на алатот непосредно по употребата бидејќи може да се загрее доволно за да предизвика изгореници.
16. Не дозволувајте деланки, прав или земја да се заглават во терминалите, отворите и жлебовите на касетата за батерија. Тоа може да резултира со слаба изведба или пад на напојувањето на алатот или касетата за батерија.
17. Освен ако алатката не поддржува употреба на електричните далноводи со висок напон во близина, не користете ја касетата за батерија во близина на електричните далноводи со висок напон. Тоа може да резултира со дефект или пад на напојувањето на алатот или касетата за батерија.
18. Држете ја батеријата подалеку од деца.

ЧУВАЈТЕ ГО УПАТСТВОТО.

▲ВНИМАНИЕ: Користете само оригинални батерии на Makita. Користењето неоригинални батерии на Makita или батерии што се изменети може да резултира со распакување на батеријата, предизвикувајќи пожар, телесна повреда и оштетување. Тоа исто така ќе ја поништи гаранцијата на Makita за алатот и полначот на Makita.

Совети за одржување максимален работен век на батеријата

1. Заменете ја касетата за батеријата пред целосно да се испразни. Секогаш запирајте ја работата со алатот и заменете ја касетата за батеријата кога ќе забележите дека алатот дава помала моќност.
2. Никогаш немојте да полните целосно полна касета за батерија. Прекумерното полнење го скратува работниот век на батеријата.
3. Полнете ја касетата за батеријата на собна температура од 10°C - 40°C. Дозволете загреаната касета за батерија да се олади пред да ја ставите на полнење.
4. Кога не ја користите касетата за батерија, извадете ја алатот или полначот.
5. Полнете ја касетата за батеријата доколку не ја користите подолго време (повеќе од шест месеци).

ОПИС НА ФУНКЦИИТЕ

▲ВНИМАНИЕ: Пред секое нагодување или проверка на алатот, проверувајте дали е исклучен и батеријата е извадена.

Монтирање или отстранување на касетата за батеријата

▲ВНИМАНИЕ: Секогаш исклучувајте го алатот пред ставањето или вадењето на касетата за батеријата.

▲ВНИМАНИЕ: Држете ги алатот и касетата за батеријата цврсто кога ја монтирате или вадите касетата за батеријата. Ако не ги држите цврсто алатот и касетата за батеријата, тие може да се лизнат од вашите раце и да дојде до нивно оштетување, како и до телесна повреда.

► **Сл.1:** 1. Црвен индикатор 2. Колче 3. Касета за батерија

За да ја извадите касетата за батеријата, повлечете ја од алатот додека го лизгате колчето на предната страна на касетата.

За вметнување на касетата за батеријата, порамнете го јазичето на касетата со жлебот во кукиштето и лизнете го во место. Вметнете ја до крај додека не се блокира во место при што ќе се слушне мало кликување. Ако можете да го видите црвениот индикатор на горната страна од колчето, тоа значи дека не е заклучена целосно во место.

▲ВНИМАНИЕ: Секогаш монтирајте ја касетата за батеријата целосно додека црвениот индикатор не се изгасне. Во спротивно, може ненадејно да испадне од алатот предизвикувајќи ви повреда вам или на некој друг околу вас.

▲ВНИМАНИЕ: Немојте да ја монтирате касетата за батеријата на сила. Ако касетата не може да се лизне лесно, тоа значи дека не е поставена правилно.

Укажување на преостанатиот капацитет на батеријата

Само за батерии со индикатор

► **Сл.2:** 1. Индикаторски ламбички 2. Колче за проверка

Притиснете го колчето за проверка на касетата за батеријата за укажување на преостанатиот капацитет на батеријата. Индикаторските ламбички светнуваат неколку секунди.

Индикаторски ламбички			Преостанат капацитет
Запалено	Исклучено	Трепка	
			75% до 100%
			50% до 75%
			25% до 50%
			0% до 25%
			Наполнете ја батеријата.
			Батеријата можеби е неисправна.

НАПОМЕНА: Во зависност од условите на користење и амбиенталната температура, индикацијата може да се разликува во мала мера од реалниот капацитет.

НАПОМЕНА: Првата (најлево) ламбичка на индикаторот ќе трепка кога работи системот за заштита на батеријата.

Нагодување на брзината

Брзината на алатот може да ја нагодите со притискање на главното колче за напојување. Секој пат кога ќе го притиснете главното колче за напојување, нивото на брзина се менува.

► **Сл.3:** 1. Индикатор за брзина 2. Главно колче за напојување

Индикатор	Режим	Брзина на ударите
	Голема	4.400 мин. ⁻¹
	Средна	3.600 мин. ⁻¹
	Мала	2.000 мин. ⁻¹

Систем за заштита на алатот/батеријата

Алатот е опремен со систем за заштита на алатот/батеријата. Овој систем автоматски го прекинува напојувањето на моторот за да го продолжи работниот век на алатот и на батеријата. Алатот автоматски ќе се исклучи за време на работењето ако тој или батеријата се најдат под еден од следниве услови:

Статус	Индикаторски ламбички		
	<input checked="" type="checkbox"/> Вклучено	<input type="checkbox"/> Исклучено	<input checked="" type="checkbox"/> Трепка
Преоптоварување	3		
	2		
	1		
Прегревање	3	3 <input type="checkbox"/>	
	2	2 <input type="checkbox"/>	
	1	1 <input checked="" type="checkbox"/>	
Прекумерно празнење	3 <input type="checkbox"/>		
	2 <input type="checkbox"/>		
	1		

Заштита од преоптоварување

Ако алатот е преоптоварен од заплеткани гранки или други отпадоци, индикаторите за „2“ и „3“ почнуваат да трепкаат и алатот автоматски ќе запре.

Во таква ситуација, исклучете го алатот и запрете со примената која предизвикала негово преоптоварување. Потоа, повторно вклучете го алатот.

ЗАБЕЛЕШКА: Зависно од условите на користење, алатот автоматски се исклучува без никаква индикација ако е преоптоварен од заплеткани гранки или отпадоци. Во овој случај, исклучете го алатот и извадете ја касетата за батерија, а потоа отстранете го заплетканите гранки или отпадоци користејќи алати како клешта. По отстранувањето на гранките или отпадоците, монтирајте ја касетата за батерија и повторно вклучете го алатот.

Заштита од преоптоварување за алатот или батеријата

Постојат два вида на прегревање: прегревање на алатот и прегревање на батеријата. Кога ќе настане прегревање на алатот, сите индикатори за брзина трепкаат. Кога ќе настане прегревање на батеријата, трепка индикаторот „1“.

Ако се случи прегревање, алатот автоматски ќе запре. Оставете алатот и/или батеријата да се изладат пред повторно да го вклучите истиот.

Заштита од прекумерно празнење

Кога капацитетот на батеријата ќе падне на ниско ниво, алатот автоматски запира и индикаторот за „1“ трепка.

Ако алатот не работи дури ни кога ќе се вклучат или исклучат прекинувачите, извадете ја батеријата од алатот и наполнете ја.

Дејство на прекинувачот за напојување

▲ ПРЕДУПРЕДУВАЊЕ: За ваша безбедност, овој алат е опремен со лост што спречува алатот да се вклучи ненамерно. НИКОГАШ не користете го алатот ако работи кога едноставно ќе ги повлечете прекинувачите за стартување без притискање на лостот. Вратете го алатот во нашиот овластен сервисен центар за соодветна поправка ПРЕД натамошна употреба.

▲ ПРЕДУПРЕДУВАЊЕ: НИКОГАШ немојте да ја залепувате или да ја оневозможувате функцијата на лостот.

▲ ПРЕДУПРЕДУВАЊЕ: Пред монтирање на касетата за батеријата на алатот, секогаш проверувајте дали прекинувачите за стартување и лостот на прекинувачот се активираат правилно и дали се враќаат во положбата „OFF“ кога ќе се отпуштат. Ако работите со алат чиј прекинувач не работи исправно, може да дојде до загуба на контролата и тешка телесна повреда.

▲ ВНИМАНИЕ: Никогаш не ставајте го прстот на прекинувачите за стартување при носење. Алатот може да се вклучи ненамерно и да предизвика повреда.

ЗАБЕЛЕШКА: Немојте силно да го повлекувате прекинувачот за стартување без да го притиснете лостот. Тоа може да предизвика дефект на прекинувачот.

За да го вклучите алатот, притиснете го главното копче за напојување. Ламбичката за напојување светнува кога алатот ќе се вклучи. За да го исклучите алатот, притиснете го и задржете го главното копче за напојување. Ламбичката за напојување се исклучува кога алатот ќе се исклучи.

► **Сл.4:** 1. Ламбичка за напојување 2. Главно копче за напојување

НАПОМЕНА: Алатот автоматски се исклучува доколку не работи определено време.

За да се спречи случајно повлекување на прекинувачот за стартување, обезбеден е лост. За да го стартувате алатот, повлечете го предниот прекинувач за стартување и потоа повлечете го задниот прекинувач за стартување додека го притискате лостот. Кога ќе отпуштите некој од прекинувачите за стартување, алатот запира.

► **Сл.5:** 1. Лост 2. Заден прекинувач за стартување 3. Преден прекинувач за стартување

Копче за обратна акција за отстранување отпадоци

▲ ПРЕДУПРЕДУВАЊЕ: Доколку заплетканите гранки или отпадоците не може да се отстранат со обратна акција, исклучете го алатот и извадете ја касетата за батерија, а потоа отстранете го заплетканите гранки или отпадоци користејќи алати како клешта. Ако не го исклучите алатот и не ја извадите касетата за батеријата, може да дојде до тешка телесна повреда предизвикана од случајно стартување. Отстранувањето на заплетканите гранки или отпадоци со рака може да предизвика повреда, бидејќи сечилата за стрижење може да се придвижат како реакција на нивното вадење.

Овој алат има копче за обратна акција за промена на насоката на движењето на сечилата за стрижење. Служи само за отстранување заплеткани гранки или отпадоци од алатот.

За враќање на движењето на сечилата за стрижење, притиснете го копчето за обратна акција кога сечилата за стрижење ќе запрат, потоа повлечете го предниот прекинувач за стартување, па повлечете го задниот прекинувач за стартување додека го притискате лостот. Ламбичката за напојување почнува да трепка, а сечилата за стрижење се движат во обратна насока.

Кога заплетканите гранки и отпадоци ќе се отстранат, алатот се враќа во нормално движење, а ламбичката за напојување престанува да трепка и светнува.

► **Сл.6:** 1. Ламбичка за напојување 2. Копче за обратна акција

НАПОМЕНА: Доколку заплетканите гранки или отпадоци не може да се отстранат, отпуштете ги прекинувачите за стартување, потоа притиснете го копчето за обратна акција, по повлечете ги прекинувачите за стартување сè додека не се отстранат.

НАПОМЕНА: Ако го допрете копчето за обратна акција додека сечилата за стрижење сè уште се движат, алатот запира и е подготвен за обратно движење.

СОСТАВУВАЊЕ

▲ ВНИМАНИЕ: Пред секое дотерување или проверка на алатот, секогаш проверувајте дали е исклучен и батеријата е извадена.

▲ ВНИМАНИЕ: Кога ги заменува сечилата за стрижење, секогаш носете ракавици за да не дојдат рацете и лицето во директен допир со сечилата.

ЗАБЕЛЕШКА: Кога ги заменува сечилата за стрижење, не бришете ја маста од запченикот и курблата.

Монтирање или вадење на сечилата за стрижење

▲ ВНИМАНИЕ: Прикачете го капакот за сечилото пред да ги извадите или монтирате сечилата за стрижење.

На алатот може да монтирате сечила за стрижење од 600 мм или 750 мм.

НАПОМЕНА: Доколку ги смените сечилата за стрижење на друга должина, заменете го примачот на деланки со оној што им одговара на сечилата.

1. Отстранете ги четирите шrafoви (за DUN604S) или петте шrafoви (за DUN754S), па отстранете го примачот на деланки од алатот.

► **Сл.7:** 1. Примач на деланки 2. Шраф

2. Поставете го алатот наопаку, а потоа извадете ги шесте завртки.

► **Сл.8:** 1. Завртка

3. Извадете го капакот и плочата.

► **Сл.9:** 1. Капак 2. Плоча

НАПОМЕНА: Плочата може да остане на капакот.

4. Извадете го прачката и лагерот.

► **Сл.10:** 1. Прачка 2. Лагер

НАПОМЕНА: Прачката или лагерот може да останат на капакот.

5. Извадете ги трите шrafoви, трите ракави и подлогата од филц, а потоа извадете ги сечилата за стрижење.

► **Сл.11:** 1. Шраф 2. Муф 3. Подлога од филц 4. Сечила за стрижење

ЗАБЕЛЕШКА: Бидете внимателни да не ги изгубите шrafoвите.

6. Извадете го капакот на сечилото, а потоа прикачете го на новите сечила за стрижење.

► **Сл.12**

7. Нагодете ја курблата, така што двата отвори да бидат наредени во линија на трасата.

► **Сл.13:** 1. Отвор 2. Траса

8. Нагодете ги испакнатите делови на сечилата за стрижење вертикално во истата положба.

► **Сл.14:** 1. Испакнат дел

9. Ставете го шрафот што го извадивте во чекор 5 во отворот на сечилата за стрижење за да ги прицврстите привремено сечилата за стрижење, а потоа ставете ја подлогата од филц на сечилата за стрижење.

► **Сл.15:** 1. Шраф 2. Подлога од филц 3. Отвор

10. Вметнете го испакнатиот дел на сечилата за стрижење во отворот на прачката, а потоа нагодете ја положбата на подлогата од филц со отворите на алатот. Ставете два нови ракава.

► **Сл.16:** 1. Подлога од филц 2. Испакнат дел 3. Отвор 4. Муф

ЗАБЕЛЕШКА: Нанесете мала количина масло на внатрешната периферија на отворот на прачката.

ЗАБЕЛЕШКА: Бидете внимателни да не ги изгубите ракавите.

11. Нагодете ги отворите на ракавите и сечилата за стрижење со отворите на алатот, а потоа прицврстете ги со два шрафа за да ги прицврстите привремено сечилата за стрижење.

► **Сл.17:** 1. Шраф

12. Прикачете нов муф.

► **Сл.18:** 1. Муф

13. Отстранете го шрафот што беше ставен во отворот на сечилата за стрижење во чекор 9, а потоа затегнете го шрафот заедно со ракавот за да ги прицврстите сечилата за стрижење.

► **Сл.19:** 1. Шраф

14. Цврсто затегнете ги шрафовите што привремено беа затегнати во чекор 11.

15. Прикачете ги лагерот и прачката.

► **Сл.20:** 1. Прачка 2. Мал отвор 3. Лагер

ЗАБЕЛЕШКА: Нанесете мала количина масло на внатрешната периферија на малиот отвор на прачката.

ЗАБЕЛЕШКА: Проверете дали испакнатиот дел на сечилата за стрижење му одговара на малиот отвор на прачката.

16. Прикачете ја плочата.

► **Сл.21:** 1. Испакнат дел 2. Плоча

ЗАБЕЛЕШКА: Проверете дали испакнатиот дел на сечилата за стрижење му одговара на отворот на плочата.

17. Прикачете го капакот и потоа затегнете ги шесте завртки.

► **Сл.22:** 1. Завртка 2. Капак

18. Прикачете го примачот на деланки на алатот со затегнување на четирите шрафови (за DUN604S) или петте шрафови (за DUN754S).

► **Сл.23:** 1. Примач на деланки 2. Шраф

ЗАБЕЛЕШКА: Ако сечилата за стрижење не се движат беспрекорно, тогаш тие не ја зафаќаат правилно прачката. Повторно монтирајте ги сечилата за стрижење.

ЗАБЕЛЕШКА: Ако има изабени делови што не се сечила за стрижење, како на пример, прачките, побарајте замена или поправка на деловите од овластените сервисни центри на Makita.

Вадење или монтирање на примачот на деланки

⚠ВАЖНО: Кога го монтирате или вадите примачот на деланки, секогаш носете ракавици за да не дојдат рацете и лицето во директен допир со сечилата за стрижење.

Примачот на деланки ги собира отфрлените листови и многу го олеснува понатамошното расчистување.

За да го извадите примачот на деланки, отстранете ги четирите шрафови (за DUN604S) или петте шрафови (за DUN754S), па отстранете го примачот на деланки од алатот. За да го монтирате примачот на деланки, следете ја постапката за вадење по обратен редослед.

► **Сл.24:** 1. Примач на деланки 2. Шраф

РАБОТЕЊЕ

⚠ПРЕДУПРЕДУВАЊЕ: Држете ги рацете настрана од сечилата за стрижење.

⚠ВАЖНО: Избегнувајте работа со алатот на многу топло време колку што е можно повеќе. Кога работите со алатот, внимавајте на вашата физичка состојба.

⚠ВАЖНО: Внимавајте случајно да не допрете метална ограда или други тврди предмети за време на стрижењето. Сечилата за стрижење може да се скршат и да предизвикаат повреда.

⚠ВАЖНО: Бидете внимателни и не дозволувајте сечилата за стрижење да дојдат во допир со земјата. Алатот може да се врати наназад и да предизвика повреда.

⚠ВАЖНО: Пресегнувањето со фрезата за жива ограда, особено од скала, е многу опасно. Не работете качени на структура што се ниша или не е стабилна.

ЗАБЕЛЕШКА: Не обидувајте се да сечете гранки со дијаметар поголем од 10 мм со овој алат. Сечете ги гранките на 10 цм пониско од висината на сечењето со помош на сечачите за гранки пред да го употребите овој алат.

► **Сл.25:** (1) Висина на сечењето (2) 10 цм

ЗАБЕЛЕШКА: Не сечете исушени дрва или слични тврди предмети. Тоа може да го оштети алатот.

ЗАБЕЛЕШКА: Не стрижете трева или плевел додека ги користите сечилата за стрижење. Сечилата за стрижење може да се заплеткаат во тревата или плевелот.

Држете ја предната дршка со десната рака, а задната со левата. Повлечете го предниот прекинувач за стартување, потоа повлечете го задниот прекинувач за стартување додека го притискате лостот, а потоа движете го алатот напред.

► **Сл.26**

За основно работење, навалете ги сечилата за стрижење во насока на стрижењето и движете ги мирно и бавно со брзина од 3 до 4 секунди на метар.

► **Сл.27**

За рамномерно стрижење на живата ограда, врзете ја жицата на саканата висина на живата ограда и стрижете по нејзина должина.

► **Сл.28**

Примачот на деланки ги собира отфрлените листови и многу го олеснува понатамошното расчистување.

► **Сл.29**

За рамномерно стрижење на страните на живата ограда, сечете од долу нагоре.

► **Сл.30**

Кога сакате да направите кружен облик (потстрижување зеленика или рододендрон, итн.), потстрижувајте од коренот до врвот за убава завршница.

► **Сл.31**

ОДРЖУВАЊЕ

⚠ВАЖНОСТ: Пред секоја проверка или одржување, секогаш проверувајте дали алатот е исклучен и касетата за батеријата е извадена.

За да се одржи БЕЗБЕДНОСТА и СИГУРНОСТА на производот, поправките, одржувањата или дотерувањата треба да се вршат во овластени сервисни или фабрички центри на Makita, секогаш со резервни делови од Makita.

Чистење на алатот

Чистете го алатот, така што ќе ја бришете прашината со сува крпа или крпа натопена во сапуница, па исцедена.

ЗАБЕЛЕШКА: За чистење, не користете нафта, бензин, разредувач, алкохол или слично. Тие средства ја вадат бојата и може да предизвикаат деформации или пукнатини.

Одржување на сечилото за стрижење

Пред работењето или еднаш на час за време на работата, нанесете масло со ниска вискозност (масло за машини или масло за подмачкување во вид на спреј) на сечилата за стрижење.

► **Сл.32**

По работата, исчистете го правот од сечилата за стрижење со жичена четка, избришете го со крпа и потоа нанесете доволна количина масло со ниска вискозност (масло за машини или масло за подмачкување во вид на спреј) на сечилата за стрижење.

► **Сл.33**

ЗАБЕЛЕШКА: Не мијте ги сечилата за стрижење во вода. Во спротивно, може да дојде до кородирање или оштетување на алатот.

ЗАБЕЛЕШКА: Нечистотијата и корозијата предизвикуваат прекумерно триење на сечилата и го намалуваат работното време на полната батерија.

Чување

Дупчето за закачување на дното од алатот е погодно за закачување на алатот на шајка или завртка на сидот.

Извадете ја касетата за батерија од алатот, а потоа поставете го капакот на сечилото на сечилата за стрижење, така што сечилата нема да бидат изложени. Складирајте го алатот надвор од дофат на деца. Складирајте го алатот на место што не е изложено на влага или дожд.

► **Сл.34:** 1. Отвор

Брусење на сечилата за стрижење

ЗАБЕЛЕШКА: Доколку сечилата за стрижење значително се деформирале со брусење, заменете ги со нови.

1. Монтирајте ја касетата за батерија на алатот.
2. Вклучете го и стартувајте го алатот така што горното и долното сечило се поставуваат наизменично.
- **Сл.35**
3. Исклучете го алатот и извадете ја касетата за батерија од него.
4. Поставете го аголот на турпијата на 45° и брусете го горното сечило од 3 насоки со турпијата.
- **Сл.36:** (1) Турпија (2) 45°

⚠ВАЖНОСТ: Пред брусење на сечилата за стрижење, секогаш проверувајте дали алатот е исклучен и касетата за батеријата е извадена од алатот.

5. Поставете го алатот наопаку и потоа отстранете ја назабеноста од сечилата за стрижење со каменот за брусење.
- **Сл.37:** 1. Камен за брусење
6. Поставете го аголот на турпијата на 45° и брусете го долното сечило од 3 насоки со турпијата.
7. Вратете го алатот во нормална положба и потоа отстранете ја назабеноста од сечилата за стрижење со каменот за брусење.

Подмачкување со масло

Интервал на подмачкување: на секои 100 часа работење

1. Извадете ја завртката од отворот за подмачкување.
- **Сл.38:** 1. Завртка
2. Извадете го капачето од садот со масло. Порамнете го излезот на садот за масло со отворот на капакот, а потоа притиснете го излезот на садот за масло на отворот.
- **Сл.39:** 1. Сад со масло 2. Отвор
3. Нанесете масло на алатот (Приближно 5 г како насочувач).
4. Затегнете ја завртката.

РЕШАВАЊЕ ПРОБЛЕМИ

Пред да нарачате поправка, прво сами проверете ја состојбата. Ако најдете проблем што не е објаснет во упатството, не обидувајте се да го расклопите алатот. Наместо тоа, побарајте помош од овластените сервисни центри на Makita и секогаш користете делови за замена и поправка од Makita.

Состојба на аномалии	Можна причина (дефект)	Поправка
Моторот не работи.	Не е монтирана касетата за батеријата.	Монтирајте ја касетата за батеријата.
	Проблем со батеријата (под напон)	Повторно наполнете ја батеријата. Ако полнењето нема ефект, заменете ја батеријата.
	Погонскиот систем не работи правилно.	Побарајте помош од локален, овластен, сервисен центар за поправка.
Моторот запира со работа по краткотрајна употреба.	Нивото на наполнетост на батеријата е ниско.	Повторно наполнете ја батеријата. Ако полнењето нема ефект, заменете ја батеријата.
	Прегревавање.	Запрете со користење на алатот за да оставите време да се излади.
Алатот не ги достигнува максималните вртежи во минута.	Батеријата е неправилно монтирана.	Монтирајте ја касетата за батеријата како што е опишано во прирачникот.
	Моќта на батеријата опаѓа.	Повторно наполнете ја батеријата. Ако полнењето нема ефект, заменете ја батеријата.
	Погонскиот систем не работи правилно.	Побарајте помош од локален, овластен, сервисен центар за поправка.
Сечилата за стрижење не се движат: ⇒ веднаш запрете ја машината!	Заглавени се туѓи предмети помеѓу сечилата за стрижење.	1. Користете го копчето за обратна акција. 2. Исклучете го алатот и извадете ја касетата за батерија, а потоа отстранете ги туѓите предмети користејќи алати како клешта.
	Погонскиот систем не работи правилно.	Побарајте помош од локален, овластен, сервисен центар за поправка.
Абнормални вибрации: ⇒ веднаш запрете ја машината!	Сечилата за стрижење се скршени, извиткани или избавени.	Заменете ги сечилата за стрижење.
	Погонскиот систем не работи правилно.	Побарајте помош од локален, овластен, сервисен центар за поправка.
Сечилата за стрижење и моторот не може да запрат: ⇒ веднаш извадете ја батеријата!	Електричен дефект.	Отстранете ја батеријата и побарајте го вашиот локален, овластен, сервисен центар за поправка.

ОПЦИОНАЛЕН ПРИБОР

⚠ ВНИМАНИЕ: Овој прибор или додатоци се препорачуваат за користење со алатот од Makita дефиниран во упатството. Со користење друг прибор или додатоци може да се изложите на ризик од телесни повреди. Користете ги приборот и додатоците само за нивната назначена намена.

Ако ви треба помош за повеќе детали за приборот, прашајте во локалниот сервисен центар на Makita.

- Склоп на сечилото за стрижење
- Примач на деланки
- Сад со масло
- Оригинална батерија и полнач на Makita

НАПОМЕНА: Некои ставки на листата може да се вклучени со алатот како стандарден прибор. Тие може да се разликуваат од држава до држава.

ТЕХНИЧКИ ПОДАЦИ

Модел:	DUH604S	DUH754S
Дужина сечива	600 мм	750 мм
Број удара у минуту	2.000 / 3.600 / 4.400 мин ⁻¹	
Укупна дужина	1.061 мм	1.200 мм
Номинални напон	DC 18 V	
Нето тежина	3,4 – 3,9 кг	

- На основу нашег непрестаног истраживања и развоја задржавамо право измена наведених техничких података без претходне најаве.
- Спецификације могу да се разликују у различитим земљама.
- Тежина може да се разликује у зависности од наставака, укључујући и уложак батерије. Најлакша и најтежа комбинација, према процедури ЕПТА 01/2014, приказане су у табели.

Применљив уложак батерије и пуњач

Уложак батерије	BL1815N / BL1820 / BL1820B / BL1830 / BL1830B / BL1840 / BL1840B / BL1850 / BL1850B / BL1860B
Пуњач	DC18RC / DC18RD / DC18RE / DC18SD / DC18SE / DC18SF / DC18SH

- Неки горенаведени улошци батерија и пуњачи можда неће бити доступни у зависности од места становања.

▲ УПОЗОРЕЊЕ: Користите само горенаведене улошке батерије и пуњаче. Коришћење других уложака батерије и пуњача може узроковати повреде и/или пожар.


ПпППрепоручени адаптер за батерију


Адаптер за батерију	PDC01
---------------------	-------


- Неки горенаведени адаптери за батерију можда неће бити доступни у зависности од места становања.
- Пре коришћења адаптера за батерију, прочитајте упутство и безбедносне ознаке на адаптеру за батерију.


Симболи

У наставку су приказани симболи који се односе на опрему. Пре употребе се обавезно упознајте са њиховим значењем.

 Прочитајте упутство за употребу.

 Не излажите алат влази.

 Чувајте се уклештења.

 Носите заштитне наочаре.



Само за земље ЕУ
Немојте да одлажете електричну опрему или батерију заједно са отпадом из домаћинства!
У складу са европским директивама о електричном и електронском отпаду, батеријама и акумулаторима и истрошеним батеријама и акумулаторима и применом ових директива у складу са државним законима, електричну опрему, батерије и њихова паковања на крају радног века неопходно је одвојено прикупити и вратити у еколошки прихватљиво постројење за рециклажу.

Намена

Алат је намењен за поткресивање живе ограде.

Бука

Типичан А-пондерисани ниво буке одређен је према стандарду EN62841-4-2:

Модел DUH604S

Ниво звучног притиска (L_{pA}): 79,3 dB (A)

Ниво звучне снаге (L_{WA}): 90,3 dB (A)

Несигурност (K): 3 dB (A)

Модел DUN754S

Ниво звучног притиска (L_{pA}): 80,6 dB (A)

Ниво звучне снаге (L_{WA}): 91,6 dB (A)

Несигурност (K): 3 dB (A)

Ниво буке током рада може да премаши 80 dB (A).

НАПОМЕНА: Декларисане вредности емисије буке су измерене према стандардизованом мерном поступку и могу се користити за упоређивање алата.

НАПОМЕНА: Декларисана вредност емисије буке се такође може користити за прелиминарну процену изложености.

▲УПОЗОРЕЊЕ: Носите заштитне слушалице.

▲УПОЗОРЕЊЕ: Емисије буке током стварне примене електричног алата могу се разликовати од декларисане вредности у зависности од начина на који се користи алат, а посебно која врста предмета се обрађује.

▲УПОЗОРЕЊЕ: Уверите се да сте идентификовали безбедносне мере за заштиту руковаоца које су засноване на процени изложености у стварним условима употребе (узимајући у обзир све делове радног циклуса, као што је време рада уређаја, али и време када је алат искључен и када ради у празном ходу).

Вибрације

Укупна вредност вибрација (векторски збир по три осе) одређена је према стандарду EN62841-4-2:

Модел DUN604S

Вредност емисије вибрација (a_n): 2,5 m/s^2 или мања
Несигурност (K): 1,5 m/s^2

Модел DUN754S

Вредност емисије вибрација (a_n): 2,5 m/s^2 или мања
Несигурност (K): 1,5 m/s^2

НАПОМЕНА: Декларисане укупне вредности вибрација су измерене према стандардизованом мерном поступку и могу се користити за упоређивање алата.

НАПОМЕНА: Декларисане укупне вредности вибрација се такође могу користити за прелиминарну процену изложености.

▲УПОЗОРЕЊЕ: Вредност емисије вибрација током стварне примене електричног алата може се разликовати од декларисане вредности у зависности од начина на који се користи алат, а посебно која врста предмета се обрађује.

▲УПОЗОРЕЊЕ: Уверите се да сте идентификовали безбедносне мере за заштиту руковаоца које су засноване на процени изложености у стварним условима употребе (узимајући у обзир све делове радног циклуса, као што је време рада уређаја, али и време када је алат искључен и када ради у празном ходу).

ЕЗ декларација о усаглашености

Само за европске земље

ЕЗ декларација о усаглашености део је Додатка А у овом приручнику са упутствима.

БЕЗБЕДНОСНА УПОЗОРЕЊА

Општа безбедносна упозорења за електричне алате

▲УПОЗОРЕЊЕ: Прочитајте сва безбедносна упозорења, упутства, илустрације и спецификације које су испоручене уз овај електрични алат. Непοштовање свих доле наведених безбедносних упутстава може изазвати електрични удар, пожар и/или озбиљну повреду.

Сачувајте сва упозорења и упутства за будуће потребе.

Термин „електрични алат“ у упозорењима односи се на електрични алат који се напаја из електричне мреже (каблом) или батерије (без кабла).

Сигурносна упозорења за бежични тример за живу ограду

- Држите све делове тела даље од сечива. Немојте уклањати исечени материјал или држати материјал који сечете док се сечива покрећу.** Сечива настављају да се крећу и након што се прекидач искључи. Један тренутак непажње током руковања тримером за живу ограду може да доведе до озбиљне повреде руковаоца.
- Носите тример за живу ограду држећи га за ручку док је сечиво заустављено и водећи рачуна да не притиснете ниједан прекидач за укључивање.** Адекватно ношење тримера за живу ограду смањује ризик од случајног покретања и телесних повреда од сечива.
- Приликом транспорта или складиштења тримера за живу ограду увек ставите поклопац на сечива.** Адекватно руковање тримером за живу ограду умањује ризик од телесних повреда од сечива.
- Када чистите заглављени материјал или сервисирате уређај, уверите се да су сви прекидачи за укључивање искључени и да је батерија уклоњена или искључена.** Неочекивано покретање тримера за живу ограду током чишћења заглављеног материјала или сервисирања може да доведе до тешких телесних повреда.
- Тример за живу ограду држите искључиво за изоловане површине за хватање јер сечиво може да дође у додир са сакривеним електричним инсталацијама.** Сечива која додирну струјни кабл могу да ставе под напон изложене металне делове тримера за живу ограду и изложе руковаоца струјном удару.

6. Све електричне каблове држите даље од области резања. Електрични каблови могу бити скривени у живици или жбуњу и можете случајно да их исечете сечивом.
7. Немојте да користите тример за живу ограду у лошим временским условима, нарочито када постоји ризик од удара грома. Тако смањујете опасност од удара грома.
8. Одмах искључите алат и уклоните уложак батерије уколико сечива маказа дођу у додир са оградом или другим чврстим предметом. Проверите да ли на сечивима има оштећења и одмах их замените уколико су оштећена.
9. Пре провере сечива маказа, уклањања кварова или материјала ухваћеног у сечивима маказа, увек искључите алат и скините уложак батерије.

Додатна безбедносна упутства

Припрема

1. Проверите да ли у живици и жбуњу постоје страни предмети, као што су жичане ограде или скривене жице, пре него што употребите овај алат.
2. Алат не смеју да користе деца или лица млађа од 18 година. Младе особе које имају више од 16 година могу да буду изузете од овог ограничења ако су прошле обуку под надзором стручњака.
3. Лицима која први пут употребљавају алат искусан корисник треба да покаже како да га користе.
4. Користите алат само ако сте у добром физичком стању. Ако сте уморни, пажња ће вам бити умањена. Будите посебно пажљиви пред крај радног дана. Сав рад обављајте смирено и пажљиво. Корисник је одговоран за сву штету нанету трећим лицима.
5. Никада не користите алат када сте под дејством алкохола, дрога или лекова.
6. Радне рукавице од отпорне коже представљају део основне опреме за алат и морају се увек носити приликом руковања њиме. Такође носите чврсте ципеле са ђоновима који спречавају клизање.
7. Пре него што почнете са радом проверите да ли је алат у добром и исправном стању. Постарајте се да штитници буду правилно постављени. Алат се не сме користити уколико није у потпуности склопљен.

Рад

1. Чврсто држите алат са обе руке приликом руковања.
2. Предвиђено је да алат користи руковацац који је на нивоу земље. Не користите алат док сте на мердевинама или на некој другој нестабилној подлози.
3. Немојте истовремено да носите више појасева за струк и/или за рамена када радите са алатом.
4. ОПАСНОСТ - Држите шаке даље од сечива. Додир са сечивом може довести до озбиљне телесне повреде.
5. Немојте користити алат по киши или у мокрим или веома влажним условима. Електрични мотор није водоотпоран.
6. Постарајте се да имате сигуран ослонац под ногама пре него што почнете са радом.
7. Немојте непотребно руковати алатом без оптерећења.

10. Немојте никада упирати сечива маказа према себи или другима.
11. Ако сечива престану да се окрећу услед заглављивања страних предмета између сечива током рада, искључите алат и уклоните уложак батерије, па затим извадите страни предмет помоћу алата као што су клешта. Ако уклањате стране предмете руком, могуће су повреде услед тога што се сечива могу покренути када извадите страни предмет.
12. Избегавајте опасна окружења. Немојте користити алат на влажним или мокрим местима или га излагати киши. Вода која уђе у алат повећава ризик од струјног удара.

Одржавање и складиштење

1. Искључите алат и скините уложак батерије пре било каквих радова на одржавању.
2. Приликом пребацивања алата на неко друго место, па и током рада, увек скините уложак батерије и ставите поклопац на сечива маказа. Никада немојте да носите или транспортујете алат док се сечива покрећу. Никада не хватајте сечива рукама.
3. Очистите алат, а нарочито сечива маказа после употребе и пре складиштења алата на дуже временске периоде. Лагано науљите сечива маказа и ставите поклопац на њих.
4. Чувајте алат са постављеним поклопцем сечива у сувој просторији. Држите га ван домања деце. Никада немојте чувати алат напољу.
5. Батерије немојте бацати у ватру. Могле би да експлодирају. Проверите да ли локални закони предвиђају посебна упутства за одлагање.
6. Немојте отварати или разбијати батерије. Ослобођени електролит је корозиван и може повредити очи или кожу. Може да буде токсичан уколико се прогута.
7. Немојте да пуните батерију на киши или на влажним местима.

САЧУВАЈТЕ ОВО УПУТСТВО.

▲УПОЗОРЕЊЕ: НЕМОЈТЕ себи да дозволите да занемарите строга безбедносна правила која се односе на овај производ услед чињенице да сте производ добро упознали и стекли рутину у руковању њиме (услед честог коришћења). **НЕНАМЕНСКА УПОТРЕБА** или непоштовање безбедносних правила наведених у овом упутству могу довести до тешких телесних повреда.

Важна безбедносна упутства која се односе на уложак батерије

1. Пре употребе уложка батерије, прочитајте сва упутства и безбедносне ознаке на (1) пуњачу батерије, (2) батерији и (3) производу који користи батерију.
2. Не растављајте и не модификујте уложак батерије. Тиме можете да изазовете пожар, прекомерно загревање или експлозију.
3. Ако се време рада знатно скратило, одмах престаните са коришћењем. То може да доведе до ризика од прегревања, могућих опекотина, па чак и експлозије.
4. Ако електролит доспе у очи, исперите их чистом водом и одмах затражите помоћ лекара. То може да доведе до губитка вида.
5. Немојте да изазивате кратак спој уложка батерије:
 - (1) Немојте додиривати прикључке било којим проводним материјалом.
 - (2) Избегавајте складиштење уложка батерије у кутији са другим металним предметима као што ексери, новчићи итд.
 - (3) Немојте да излажете уложак батерије води или киши.

Кратак спој батерије може да доведе до великог протока струје, прегревања, могућих опекотина, па чак и прегоривања.

6. Немојте да складиштите и користите алат и уложак батерије на местима где температура може да достигне или премаше 50 °C (122 °F).
7. Немојте да палите уложак батерије чак ни када је озбиљно оштећен или потпуно похабан. Уложак батерије може да експлодира у ватри.
8. Немојте да закивате, сечете, ломите, бацате или испуштате уложак батерије, или да њиме ударате по чврстој површини. На тај начин можете да изазовете пожар, прекомерно загревање или експлозију.
9. Немојте да користите оштећену батерију.
10. Садржане литијум-јонске батерије подлежу Закону о превозу опасних материја. Приликом комерцијалног превоза, нпр. од стране трећих лица и превозника, мора се обратити посебна пажња на специјалне захтеве паковања и обележавања. Приликом припреме материјала за превоз, потребно је саветовати се са стручњаком за опасне материје. Такође обратите пажњу на евентуалне даље националне прописе. Омотајте траком или прекријте отворене контакте и запакујте батерију тако да се не може померати унутар паковања.
11. Када одлажете уложак батерије на отпад, извадите га из алата и одложите на безбедно место. Придржавајте се локалних прописа у вези са одлагањем батерије.

12. Батерије користите само са производима које је навела компанија Makita. Постављање батерије на производе који нису усаглашени може да доведе до пожара, прекомерне топлоте, експлозије или цурења електролита.
13. Ако се алат не користи током дужег периода, батерија мора да се извади из алата.
14. Током и након коришћења, уложак батерије може да акумулира толико топлоте да то може довести до опекотина, уобичајених и нискотемпературних. Пажљиво рукујте врућим улошцима батерије.
15. Не додирујте контакте алата одмах након коришћења јер су можда толико врући да могу да изазову опекотине.
16. Водите рачуна да се струготина, прашина или земља не заглаве у контактима, рупицама и жлебовима уложка батерије. У супротном може доћи до лошег учинка или прегоривања алата или уложка батерије.
17. Осим ако алат то не подржава, немојте да користите уложак батерије близу високонапонских разводних линија електричне струје. У супротном може доћи до квара или прегоривања алата или уложка батерије.
18. Држите батерију ван домаћаја деце.

САЧУВАЈТЕ ОВО УПУТСТВО.

▲ПАЖЊА: Користите само оригиналне Makita батерије. Коришћење Makita батерија које нису оригиналне или батерија које су измењене може да доведе до пуцања батерије, које може да изазове пожар, телесне повреде или штету. То ће такође поништити гаранцију компаније Makita за Makita алат и пуњач.

Савети за максимално трајање батерије

1. Напуните уложак батерије пре него што се потпуно испразни. Сваки пут прекините рад са алатом и напуните уложак батерије када приметите да је снага алата слабија.
2. Никада немојте да поново пуните потпуно напуњени уложак батерије. Препуњавање скраћује радни век батерије.
3. Пуните уложак батерије на собној температури између 10°C и 40°C (између 50°F и 104°F). Сачекајте да се врући уложак батерије охлади пре пуњења.
4. Када не користите уложак батерије, извадите га из алата или пуњача.
5. Напуните уложак батерије ако га нећете користити дуже време (више од шест месеци).

ОПИС НАЧИНА ФУНКЦИОНИСАЊА

▲ ПАЗЊА: Пре подешавања или провере функција алата увек проверите да ли је алат искључен и да ли је уложак батерије уклоњен.

Постављање и уклањање уложка батерије

▲ ПАЗЊА: Увек искључите алат пре постављања или уклањања уложка батерије.

▲ ПАЗЊА: Држите чврсто алат и уложак батерије када постављате или уклањате уложак батерије. Ако алат и уложак батерије не будете држали чврсто, могу вам исклизнути из руку, оштетити се при паду и повредити вас.

► **Слика1:** 1. Црвени индикатор 2. Дугме 3. Уложак батерије

Да бисте уклонили уложак батерије, клизањем га извучите из алата док клизањем померате дугме на предњој страни уложка.

Да бисте поставили уложак батерије, поравнајте језичак на њему са жлебом на кућишту и гурните га на место. Гурните га до краја тако да легне на своје место и чује се тихо шкљоцање. Ако можете да уочите црвени индикатор на горњој страни дугмета, то значи да уложак батерије није потпуно закључан.

▲ ПАЗЊА: Увек до краја гурните уложак батерије тако да се црвени индикатор не види.

У супротном, он случајно може испасти из алата и повредити вас или неку особу у вашој близини.
















▲ ПАЗЊА: Немојте на силу да постављате уложак батерије. Ако уложак не можете лако да гурнете, то значи да га не постављате исправно.

Приказ преосталог капацитета батерије

Само за уложке батерије са индикатором

► **Слика2:** 1. Индикаторске лампце 2. Дугме за проверу

Притисните дугме за проверу на уложку батерије да бисте приказали преостали капацитет батерије. Индикаторске лампце ће се укључити на неколико секунди.

Индикаторске лампце			Преостали капацитет
 Светли	 Искључено	 Трепће	
			Од 75% до 100%
			Од 50% до 75%
			Од 25% до 50%
			Од 0% до 25%
			Напуните батерију.
 	 		Могуће је да је батерија постала неисправна.

НАПОМЕНА: У зависности од услова коришћења и температуре околине, приказани капацитет може донекле да се разликује од стварног.

НАПОМЕНА: Прва (крајња лева) индикаторска лампица трепери када систем за заштиту батерије ради.

Подешавање брзине

Можете да подешавате брзину алата постепеним притискањем главног дугмета за напајање. Сваки пут када притиснете главно дугме за напајање, промениће се ниво брзине.

► **Слика3:** 1. Индикатор брзине 2. Главно дугме за напајање

Индикатор	Режим	Брзина хода
  	Велика	4.400 мин ⁻¹
  	Средња	3.600 мин ⁻¹
  	Мала	2.000 мин ⁻¹

Систем за заштиту алата/батерије

Алат је опремљен системом за заштиту алата/ батерије. Овај систем аутоматски прекида напајање мотора како би продужио век трајања алата и батерије. Алат ће се аутоматски зауставити током рада ако алат или батерија уђу у једно од следећих стања:

Статус	Индикаторске лампце		
	 Укључено	 Искључено	 Трепће
Преоптерећење	  		
Прегревавање	  	  	
Прекомерно пражњење	  		

Заштита од преоптерећења

Ако је алат преоптерећен запетљаним гранама или другим остацима, индикатори за „2“ и „3“ почињу да трепере и алат се аутоматски зауставља.

У овој ситуацији, искључите алат и престаните са употребом која је довела до преоптерећења алата. Затим укључите алат да бисте га поново покренули.

ОБАВЕШТЕЊЕ: У зависности од услова коришћења, алат се аутоматски искључује без било каквих индикација ако је преоптерећен запетљаним гранама или остацима. У том случају, искључите алат и уклоните уложак батерије, а затим уклоните запетљане гране или остатке помоћу алата, као што су клешта. Након уклањања грана или остатака, монтирајте уложак батерије и поново укључите алат.

Заштита алата/батерије од прегревања

Постоје две врсте прегревања – прегревање алата и прегревање батерије. Када дође до прегревања алата, сви индикатори брзине трепере. Када дође до прегревања батерије, трепери индикатор за „1“. Ако дође до прегревања, алат ће аутоматски престати да ради. Сачекајте да се алат и/или батерија охладе пре него што их поново укључите.

Заштита од превеликог пражњења

Када капацитет батерије опадне скоро до краја, алат аутоматски престаје са радом и индикатор за „1“ почиње да трепери. Ако алат не ради чак ни када се активирају прекидачи, уклоните батерију из алата и напуните је.

Коришћење прекидача за укључивање

▲УПОЗОРЕЊЕ: Ради ваше безбедности, овај алат је опремљен полугом која спречава ненамерно покретање алата. НИКАДА немојте користити овај алат ако се покреће при самом повлачењу окидача прекидача без притискања полуге. ПРЕ даље употребе вратите алат сервисном центру ради адекватне поправке.

▲УПОЗОРЕЊЕ: НИКАДА немојте да лепите траком полугу или да мењате њену сврху и функцију.

▲УПОЗОРЕЊЕ: Пре постављања уложка батерије у алат, увек проверите да ли окидачи прекидача и полуга раде правилно и да ли се након отпуштања враћају у положај „OFF“ (искључено). Рад са алатом на којем прекидач не функционише правилно може да доведе до губитка контроле и тешких телесних повреда.

▲ПАЖЊА: Немојте никад држати прст на окидачу прекидача приликом ношења алата. Алат се може ненамерно покренути и изазвати повреде.

ОБАВЕШТЕЊЕ: Немојте јако повлачити окидач прекидача ако претходно нисте притиснули полугу. То може да доведе до помлења прекидача.

Притисните главно дугме за напајање да бисте укључили алат. Лампица напајања светли када је алат укључен. Да бисте искључили алат, притисните и држите главно дугме за напајање. Лампица напајања се искључује када се алат искључи.

► **Слика4:** 1. Лампица за напајање 2. Главно дугме за напајање

НАПОМЕНА: Алат се аутоматски искључује ако се не користи током одређеног временског периода.

Полуга спречава случајно повлачење окидача прекидача. Да бисте покренули алат, повуците предњи окидач прекидача, а затим повуците задњи окидач прекидача док притискате полугу. Када отпустите било који окидач прекидача, алат се зауставља.

► **Слика5:** 1. Полуга 2. Задњи окидач прекидача 3. Предњи окидач прекидача

Дугме за промену смера обртања који служи за уклањање остатака

▲УПОЗОРЕЊЕ: Ако запетљане гране или остаци не могу да се уклоне функцијом окретања у супротном смеру, искључите алат и уклоните уложак батерије, а затим уклоните запетљане гране или остатке помоћу алата, као што су клешта. Ако не искључите алат и не уклоните уложак батерије, случајно покретање алата може да нанесе тешке телесне повреде. Уклањање запетљаних грана или остатака руком може да проузрокује повреде јер сечива маказа могу да се покрену када уклоните препреке.

Овај алат је опремљен дугметом за промену смера обртања којим може да се промени смер обртања сечива маказа. Служи само за уклањање грана и остатака који се запетљају у алату.

Да бисте обрнули кретање сечива маказа, притисните дугме за промену смера обртања када се сечива маказа зауставе, а затим повуците предњи окидач прекидача, па повуците задњи окидач прекидача док притискате полугу. Лампица напајања почиње да трепери и сечива маказа се померају у обрнутом смеру.

Када се запетљане гране и остаци уклоне, алат се враћа у уобичајени смер кретања и лампица напајања престаје да трепери и почиње да светли непрекидно.

► **Слика6:** 1. Лампица за напајање 2. Дугме за промену смера обртања

НАПОМЕНА: Ако запетљане гране или остаци не могу да се уклоне, отпустите окидаче прекидача, притисните дугме за промену смера обртања и повуците окидаче прекидача док се не уклоне.

НАПОМЕНА: Ако додирнете дугме за промену смера обртања док се сечива маказа још увек обрћу, алат ће се зауставити и биће спреман за обртање у супротном смеру.

СКЛАПАЊЕ

▲ ПАЗЊА: Пре обављања било каквог посла на алату увек проверите да ли је он искључен и да ли је уложак батерије уклоњен.

▲ ПАЗЊА: Приликом замене сечива маказа, увек носите рукавице да руке не би дошле у директан контакт са сечивима.

ОБАВЕШТЕЊЕ: Приликом замене сечива маказа, немојте брисати траву са запчаника и обртне ручице.

Постављање и уклањање сечива маказа

▲ ПАЗЊА: Поставите поклопац сечива пре уклањања или постављања сечива маказа.

На алат можете да монтирате сечива маказа величине 600 мм или 750 мм.

НАПОМЕНА: Ако монтирате сечива маказа друге величине, замените прихватач отпадака тако да одговара тим сечивима.

1. Уклоните четири завртња (за DUH604S) или пет завртња (за DUH754S), а затим уклоните прихватач отпадака из алата.

► **Слика7:** 1. Прихватач отпадака 2. Завртња

2. Поставите алат наопако, а затим уклоните шест вијака.

► **Слика8:** 1. Вијак

3. Уклоните поклопац и плочу.

► **Слика9:** 1. Поклопац 2. Плоча

НАПОМЕНА: Плочица може да остане на поклопцу.

4. Уклоните шипку и лежиште.

► **Слика10:** 1. Шипка 2. Лежиште

НАПОМЕНА: Шипка или лежиште могу да остану на поклопцу.

5. Уклоните три завртња, три наглавка и плочу обложену филцом, а затим уклоните сечива маказа.

► **Слика11:** 1. Завртња 2. Наглавак 3. Плоча обложена филцом 4. Сечива маказа

ОБАВЕШТЕЊЕ: Водите рачуна да не изгубите завртње.

6. Уклоните поклопац сечива и поставите га на нова сечива маказа.

► **Слика12**

7. Подесите обртну ручицу тако да два отвора буду поравната на линији поравнања.

► **Слика13:** 1. Отвор 2. Линија поравнања

8. Поравнајте испупчења на сечивима маказа вертикално у исти положај.

► **Слика14:** 1. Испупчење

9. Уметните завртња уклоњен у кораку 5 у рупу на сечивима маказа да бисте привремено причврстили сечива маказа, а затим поставите плочу обложену филцом на сечива маказа.

► **Слика15:** 1. Завртња 2. Плоча обложена филцом 3. Отвор

10. Уметните испупчење на сечивима маказа у отвор на шипци, затим поравнајте положај плоче обложене филцом са отворима на алату. Прикачите два нова наглавка.

► **Слика16:** 1. Плоча обложена филцом 2. Испупчење 3. Отвор 4. Наглавак

ОБАВЕШТЕЊЕ: Нанесите малу количину мазива на унутрашњи обод отвора шипке.

ОБАВЕШТЕЊЕ: Водите рачуна да не изгубите наглавке.

11. Поравнајте отворе на наглавцима и сечивима маказа са отворима на алату, а затим затегните два завртња да бисте привремено причврстили сечива маказа.

► **Слика17:** 1. Завртња

12. Поставите нови наглавак.

► **Слика18:** 1. Наглавак

13. Уклоните завртња уметнут у рупу на сечивима маказа у кораку 9, а затим затегните завртња заједно са наглавком да бисте причврстили сечива маказа.

► **Слика19:** 1. Завртња

14. Чврсто затегните завртње које сте благо затегли у кораку 11.

15. Поставите лежиште и шипку.

► **Слика20:** 1. Шипка 2. Мали отвор 3. Лежиште

ОБАВЕШТЕЊЕ: Нанесите малу количину мазива на унутрашњи обод малог отвора шипке.

ОБАВЕШТЕЊЕ: Уверите се да испупчење на сечивима маказа налаже у мали отвор на шипци.

16. Поставите плочу.

► **Слика21:** 1. Испупчење 2. Плоча

ОБАВЕШТЕЊЕ: Уверите се да испупчење на сечивима маказа налаже у отвор на шипци.

17. Поставите поклопац, а затим затегните шест вијака.

► **Слика22:** 1. Вијак 2. Поклопац

18. Прикачите прихватач отпадака на алат тако што ћете затегнути четири завртња (за DUH604S) или пет завртња (за DUH754S).

► **Слика23:** 1. Прихватач отпадака 2. Завртња

ОБАВЕШТЕЊЕ: Ако се сечива маказа крећу са сметњама, сечива маказа нису исправно повезана са шипкама. Поново поставите сечива маказа.

ОБАВЕШТЕЊЕ: Ако се неки други делови осим сечива маказа похабају, на пример, шипке, затражите заменске делове или поправке у овлашћеним сервисним центрима компаније Makita.

Уклањање или постављање прихватача отпадака

▲ ПАЗИЈА: Приликом постављања или замене прихватача отпадака, увек носите рукавице да руке не би дошле у директан контакт са сечивима маказа.

Прихватач отпадака прикупља одбачено лишће и тиме олакшава касније чишћење.

Да бисте уклонили прихватач отпадака, уклоните четири и завртња (за DUN604S) или пет завртања (за DUN754S), а затим уклоните прихватач отпадака из алата. Да бисте поставили прихватач отпадака, поновите поступак за скидање обрнутим редоследом.

► **Слика24:** 1. Прихватач отпадака 2. Завртањ

РАД

▲ УПОЗОРЕЊЕ: Држите шаке даље од сечива маказа.

▲ ПАЗИЈА: Избегавајте да рукујете алатом по веома топлом времену колико год је то могуће. Када рукујете алатом водите рачуна о свом физичком стању.

▲ ПАЗИЈА: Водите рачуна да случајно не додирнете металну ограду или друге чврсте предмете током подрезивања. Сечива маказа могу да се сломе и изазову повреду.

▲ ПАЗИЈА: Водите рачуна да не дозволите да сечива маказа дођу у додир са тлом. Алат се може сломити и изазвати повреду.

▲ ПАЗИЈА: Протезајте са тримером за живу ограду, посебно са мердевина, је изузетно опасно. Немојте радити док стојите на површини која је несигурна или нестабилна.

ОБАВЕШТЕЊЕ: Не покушавајте да овим алатом сечете гране чији је пречник већи од 10 мм. Режите гране на висину 10 цм мању од висине сечења користећи сечаче за гране пре употребе алата.

► **Слика25:** (1) Висина сечења (2) 10 цм

ОБАВЕШТЕЊЕ: Не сеците осушено дрвеће или сличне чврсте предмете. То може да оштети алат.

ОБАВЕШТЕЊЕ: Немојте да подрезујете траву или коров користећи сечиво маказа. Сечива маказа могу да се упетљају у траву или корове.

Држите предњи рукохват десном, а задњи рукохват левом руком. Повуците предњи окидач прекидача, затим повуците задњи окидач прекидача док притискате полуку и померите алат унапред.

► **Слика26**

За основни рад нагните сечива маказа у смеру подрезивања и смирено и полако их померајте брзином од 3 до 4 секунде по метру.

► **Слика27**

Да бисте подједнако подрезивали живу ограду, вежите канап на жељеној висини и подрезујте уз њега.

► **Слика28**

Прихватач отпадака прикупља одбачено лишће и тиме олакшава касније чишћење.

► **Слика29**

Да бисте равномерно исекли бочну страну живе ограде, сеците од дна према врху.

► **Слика30**

Ако опсецањем желите да направите заобљени облик (шимшир или рододендрон итд.), сеците од корена ка врху да бисте добили лепу завршну обраду.

► **Слика31**

ОДРЖАВАЊЕ

▲ ПАЗИЈА: Пре него што почнете с прегледом или одржавањем алата, искључите алат и уклоните уложак батерије.

БЕЗБЕДАН и ПОУЗДАН рад алата гарантујемо само ако поправке, свако друго одржавање или подешавање, препустите овлашћеном сервису компаније Makita или фабричком сервису, уз употребу оригиналних резервних делова компаније Makita.

Чишћење алата

Алат чистите тако што ћете пребрисати прашину сувом тканином или тканином натопљеном сапуницом и исцеђеном.

ОБАВЕШТЕЊЕ: Никад немојте да користите нафту, бензин, разређивач, алкохол и слична средства. Може доћи до губитка боје, деформације или оштећења.

Одржавање сечива маказа

Пре коришћења или на сваких сат времена током рада, нанесите уље ниске вискозности (машинско уље или уље за подмазивање у спреју) на сечива маказа.

► **Слика32**

Након рада, жичаном четком уклоните прашину са сечива маказа, пребришите их крпом, а затим на њих нанесите уље ниске вискозности (машинско уље или уље за подмазивање у спреју).

► **Слика33**

ОБАВЕШТЕЊЕ: Немојте прати сечива маказа водом. Тако може да дође до корозије или оштећења алата.

ОБАВЕШТЕЊЕ: Прљавштина и корозија доводе до прекомерног трења сечива и скраћују време рада по пуњењу акумулатора.

Чување

Отвор за куку на доњем делу алата је погодан за качење алата на ексер или завртањ на зиду. Уклоните уложак батерије из алата и поставите поклопац сечива на сечива маказа да не би била изложена. Чувајте алат изван домаћаја деце. Чувајте алат на месту које није изложено влази и киши.

► **Слика34:** 1. Отвор

Брушење сечива маказа

ОБАВЕШТЕЊЕ: Ако су се сечива маказа значајно деформисала од брушења, замените их новим.

1. Поставите уложак батерије у алат.
2. Укључите и покрените алат тако да су горња и доња сечива постављена наизменично.
► **Слика35**
3. Искључите алат и уклоните уложак батерије из њега.
4. Подесите угао турпије на 45° и брусите горњу оштрицу из 3 правца помоћу турпије.
► **Слика36:** (1) Турпија (2) 45°

⚠ ПАЖЊА: Пре брушења сечива маказа, уверите се да је алат искључен и да је уложак батерије извађен из алата.

5. Поставите алат наопако, а затим уклоните опилке са сечива маказа помоћу брусног камена.

► **Слика37:** 1. Брусни камен

6. Подесите угао турпије на 45° и брусите доњу оштрицу из 3 правца помоћу турпије.

7. Поставите алат у нормалан положај, а затим уклоните опилке са сечива маказа помоћу брусног камена.

Мазиво

Учесталост подмазивања: На сваких неколико (100) сати рада

1. Уклоните вијак из отвора ради подмазивања.
► **Слика38:** 1. Вијак
2. Скините поклопац са тубе са мазивом. Поравнајте отвор на туби са мазивом са отвором на поклопцу, па затим притисните отвор на туби са мазивом на отвор на поклопцу.
► **Слика39:** 1. Туба са мазивом 2. Отвор
3. Нанесите мазиво у алат (око 5 г као референца).
4. Притегните вијак.

РЕШАВАЊЕ ПРОБЛЕМА

Пре него што затражите поправку, најпре сами извршите преглед. Уколико наиђете на проблем који није објашњен у упутству, не покушавајте да расклопите алат. Уместо тога тражите поправке од овлашћених сервисних центара Makita и увек користите оригиналне Makita резервне делове приликом поправки.

Неисправно стање	Вероватан узрок (квар)	Отклањање квара
Мотор не ради.	Уложак батерије није постављен.	Поставите уложак батерије.
	Проблем са батеријом (поднапон)	Поново напуните батерију. Ако пуњење не буде успешно, замените батерију.
	Погонски систем не ради како треба.	Затражите поправку од свог локалног овлашћеног сервисног центра.
Мотор престаје са радом после кратке употребе.	Ниво напуњености батерије је низак.	Поново напуните батерију. Ако пуњење не буде успешно, замените батерију.
	Прегревање.	Престаните да користите алат да би се он охладио.
Алат не постиже максимални број обртаја по минути.	Батерија није правилно постављена.	Поставите уложак батерије као што је описано у овом приручнику.
	Снага батерије опада.	Поново напуните батерију. Ако пуњење не буде успешно, замените батерију.
	Погонски систем не ради како треба.	Затражите поправку од свог локалног овлашћеног сервисног центра.
Сечива маказа се не померају: ⇒ одмах зауставите машину!	Страни предмети су ухваћени у сечива маказа.	1. Користите дугме за промену смера обртања. 2. Искључите алат и уклоните уложак батерије, а затим уклоните стране предмете помоћу алата као што су клешта.
	Погонски систем не ради како треба.	Затражите поправку од свог локалног овлашћеног сервисног центра.
Необичне вибрације: ⇒ одмах зауставите машину!	Сечива маказа су поломљена, савијена или похабана.	Замените оштрице маказа.
	Погонски систем не ради како треба.	Затражите поправку од свог локалног овлашћеног сервисног центра.
Сечива маказа и мотор не могу да се зауставе: ⇒ Одмах уклоните батерију!	Електрични квар.	Уклоните батерију и затражите поправку од локалног овлашћеног сервисног центра.

ОПЦИОНИ ПРИБОР

⚠ ПАЗЊА: Ова опрема и прибор су предвиђени за употребу са алатом Makita описаним у овом упутству за употребу.

Употреба друге опреме и прибора може да доведе до повреда. Користите делове прибора или опрему искључиво за предвиђену намену.

Да бисте добили виште детаља у вези са овим прибором, обратите се локалном сервисном центру компаније Makita.

- Склоп сечива маказа
- Прихватач отпадака
- Туба са мазивом
- Makita оригинална батерија и пуњач

НАПОМЕНА: Поједине ставке на листи могу бити укључене у садржај паковања алата као стандардна опрема. Оне се могу разликовати од земље до земље.

SPECIFICAȚII

Model:	DUH604S	DUH754S
Lungime lamă	600 mm	750 mm
Curse pe minut	2.000/3.600/4.400 min ⁻¹	
Lungime totală	1.061 mm	1.200 mm
Tensiune nominală	18 V cc.	
Greutate netă	3,4 - 3,9 kg	

- Datorită programului nostru continuu de cercetare și dezvoltare, specificațiile pot fi modificate fără o notificare prealabilă.
- Specificațiile pot varia în funcție de țară.
- Greutatea poate diferi în funcție de accesoriu(ii), inclusiv cartușul acumulatorului. În tabel se prezintă combinația cea mai ușoară și cea mai grea, conform Procedurii EPTA 01/2014.

Cartușul acumulatorului și încărcătorul aplicabile

Cartușul acumulatorului	BL1815N / BL1820 / BL1820B / BL1830 / BL1830B / BL1840 / BL1840B / BL1850 / BL1850B / BL1860B
Încărcător	DC18RC / DC18RD / DC18RE / DC18SD / DC18SE / DC18SF / DC18SH

- Este posibil ca unele cartușe ale acumulatorilor și încărcătoare menționate mai sus să nu fie disponibile în funcție de regiunea dvs. de reședință.

⚠️ AVERTIZARE: Utilizați numai cartușele de acumulator și încărcătoarele enumerate mai sus. Utilizarea oricărui altor cartușe de acumulator și încărcătoare poate duce la rănire și/sau incendii.

Adaptorul acumulatorului recomandat

Transformator cu baterii	PDC01
--------------------------	-------

- Este posibil ca adaptorul/adaptoarele acumulatorilor menționat/mentionate mai sus să nu fie disponibil/disponibile în funcție de regiunea dvs. de reședință.
- Înainte de a utiliza adaptorul acumulatorului, citiți instrucțiunile și atenționările de pe acesta.

Simboluri

Mai jos sunt prezentate simbolurile care pot fi utilizate pentru echipament. Asigurați-vă că înțelegeți sensul acestora înainte de utilizare.



Citiți manualul de utilizare.



Nu expuneți la umezeală.



Evitați înțeparea.



Purtați ochelari de protecție.



Ni-MH
Li-ion

Doar pentru țările din cadrul UE
Nu aruncați aparatele electrice sau acumulatorii în gunoii menajeri!
În conformitate cu Directiva europeană privind deșeurile de echipamente electrice și electronice, bateriile și acumulatorii, precum și bateriile și acumulatorii reziduale și implementarea acestora conform legislației naționale, echipamentele electrice și bateriile și acumulatorii care au ajuns la sfârșitul duratei de viață trebuie colectate separat și reciclate corespunzător în vederea protecției mediului.

Destinația de utilizare

Unealta este destinată tunderii gardurilor vii.

Zgomot

Nivelul de zgomot normal ponderat A determinat în conformitate cu EN62841-4-2:

Model DUH604S

Nivel de presiune acustică (L_{pA}): 79,3 dB(A)

Nivel de putere acustică (L_{WA}): 90,3 dB (A)

Marjă de eroare (K): 3 dB(A)

Model DUH754S

Nivel de presiune acustică (L_{pA}): 80,6 dB(A)

Nivel de putere acustică (L_{WA}): 91,6 dB (A)

Marjă de eroare (K): 3 dB(A)

Nivelul de zgomot în timpul funcționării poate depăși 80 dB (A).

NOTĂ: Valoarea (valorile) totală(e) a (ale) emisiilor de zgomot declarate a(u) fost măsurată(e) în conformitate cu o metodă de test standard și poate (pot) fi utilizată(e) pentru compararea unei unelte cu alta.

NOTĂ: Valoarea (valorile) totală(e) a (ale) emisiilor de zgomot declarate poate (pot) fi, de asemenea, utilizată(e) într-o evaluare preliminară a expunerii.

⚠️ AVERTIZARE: Purtați echipament de protecție pentru urechi.

⚠️ AVERTIZARE: Emisiile de zgomot în timpul utilizării efective a unelei electrice poate diferi de valoarea (valorile) nivelului declarat, în funcție de modul în care unealta este utilizată, în special ce fel de piesă este prelucrată.

⚠️ AVERTIZARE: Asigurați-vă că identificați măsurile de siguranță pentru a proteja operatorul, acestea fiind bazate pe o estimare a expunerii în condiții reale de utilizare (luând în considerare toate părțile ciclului de operare, precum timpii în care unealta a fost oprită, sau a funcționat în gol, pe lângă timpul de declanșare).

Vibrații

Valoarea totală a vibrațiilor (suma vectorilor tri-axiali) determinată conform EN62841-4-2:

Model DUH604S

Emisie de vibrații (a_h): 2,5 m/s² sau mai puțin

Marjă de eroare (K): 1,5 m/s²

Model DUH754S

Emisie de vibrații (a_h): 2,5 m/s² sau mai puțin

Marjă de eroare (K): 1,5 m/s²

NOTĂ: Valoarea (valorile) totală(e) a (ale) nivelului de vibrații declarat a (au) fost măsurată(e) în conformitate cu o metodă de test standard și poate (pot) fi utilizată(e) pentru compararea unei unelte cu alta.

NOTĂ: Valoarea (valorile) totală(e) a (ale) nivelului de vibrații declarat poate (pot) fi, de asemenea, utilizată(e) într-o evaluare preliminară a expunerii.

⚠️ AVERTIZARE: Nivelul de vibrații în timpul utilizării efective a unelei electrice poate diferi de valoarea (valorile) nivelului declarat, în funcție de modul în care unealta este utilizată, în special ce fel de piesă este prelucrată.

⚠️ AVERTIZARE: Asigurați-vă că identificați măsurile de siguranță pentru a proteja operatorul, acestea fiind bazate pe o estimare a expunerii în condiții reale de utilizare (luând în considerare toate părțile ciclului de operare, precum timpii în care unealta a fost oprită, sau a funcționat în gol, pe lângă timpul de declanșare).

Declarație de conformitate CE

Nu mai pentru țările europene

Declarația de conformitate CE este inclusă ca Anexa A în acest manual de instrucțiuni.

AVERTIZĂRI DE SIGURANȚĂ

Avertismente generale de siguranță pentru mașinile electrice

⚠️ AVERTIZARE: Citiți toate avertismentele privind siguranța, instrucțiunile, ilustrațiile și specificațiile furnizate cu această sculă electrică. Nerespectarea integrală a instrucțiunilor de mai jos poate cauza electrocutări, incendii și/sau vătămări corporale grave.

Păstrați toate avertismentele și instrucțiunile pentru consultări ulterioare.

Termenul „mașină electrică” din avertizări se referă la mașinile dumneavoastră electrice acționate de la rețea (prin cablu) sau cu acumulator (fără cablu).

Avertizări de siguranță pentru mașina de tuns gardul viu fără cablu

- Țineți-vă toate părțile corpului departe de lamă. Când lamele sunt în mișcare, nu îndepărtați materialul tăiat sau nu țineți materialul care va fi tăiat.** Lamele continuă să se miște după ce opriți întrerupătorul. Un moment de neatenție în timpul utilizării mașinii de tuns gardul viu poate cauza răni grave.
- Transportați mașina de tuns gardul viu ținând de mâner, cu lama oprită și având grijă să nu acționați comutatorul de alimentare.** Transportarea corespunzătoare a mașinii de tuns gardul viu va reduce riscul de pornire accidentală și accidentările ulterioare cauzate de lame.
- Când transportați sau depozitați mașina de tuns gardul viu, montați întotdeauna capacul lamelor.** Manipularea corectă a mașinii de tuns gardul viu va reduce riscul de accidentări din cauza lamelor.
- Atunci când curățați materialul blocat sau efectuați lucrări de service pe mașină, nu uitați să opriți toate comutatoarele de alimentare și să scoateți sau să deconectați acumulatorul.** Acționarea accidentală a mașinii de tuns gardul viu în timp ce curățați materialul blocat sau efectuați lucrări de service poate provoca accidentări grave.
- Țineți mașina de tuns gardul viu doar de suprafețele de prindere izolate, deoarece lama poate intra în contact cu fire ascunse.** Contactul lamei cu un cablu aflat sub tensiune poate pune sub tensiune piesele metalice expuse ale mașinii de tuns gardul viu și poate provoca electrocutarea operatorului.

6. **Țineți toate cablurile de alimentare și alte cabluri departe de zona de tăiere.** Cablurile de alimentare și celelalte cabluri pot fi ascunse în gardurile vii sau în tufișuri, iar lama le poate tăia accidental.
7. **Nu utilizați mașina de tuns gardul în condiții de vreme nefavorabilă, în special când există riscul de descărcări electrice.** Astfel se reduce riscul de expunere la descărcări electrice.
8. **Oprii imediat mașina și scoateți cartușul acumulatorului în cazul în care lamele de foarfecă intră în contact cu un gard sau cu un alt obiect dur.** Verificați lamele și, dacă sunt deteriorate, înlocuiți-le imediat.
9. **Înainte de a verifica lamele de foarfecă, de a remedia defecțiunile sau de a scoate materialul prins în lamele de foarfecă, opriți întotdeauna mașina și scoateți cartușul acumulatorului.**
10. **Nu îndreptați niciodată lamele de foarfecă spre dumneavoastră sau spre alte persoane.**
11. **Dacă lamele se opresc din cauza blocării unor obiecte străine între acestea în timpul funcționării, opriți mașina și scoateți cartușul acumulatorului, iar apoi îndepărtați obiectele străine cu ajutorul unor unelte precum cleștele.** Îndepărtarea manuală a obiectelor străine poate cauza accidente deosebite, ca reacție la îndepărtarea obiectelor străine, lamele s-ar putea mișca.
12. **Evitați mediile periculoase. Nu utilizați mașina în locații cu umezeală și nu o expuneți la ploaie.** Dacă intră apă în mașină, riscul electrocutării este mai mare.

Instrucțiuni de siguranță suplimentare

Pregătire

1. **Verificați dacă există obiecte străine în gardurile vii și în tufișuri, cum ar fi garduri de sârmă sau fire ascunse, înainte de a utiliza mașina.**
2. **Mașina nu trebuie folosită de copii sau adolescenți cu vârstă mai mică de 18 ani.** Adolescenții cu vârstă mai mare de 16 ani pot fi exceptați de la această restricție în cazul în care beneficiază de instrucții sub supravegherea unui expert.
3. **Cei care utilizează pentru prima dată mașina ar trebui să lucreze împreună cu un utilizator cu experiență care să le arate cum să o folosească.**
4. **Utilizați mașina numai dacă vă aflați într-o stare fizică bună.** Dacă sunteți obosit(ă), atenția vă va fi redusă. Fiți atent(ă), în special, la finalul zilei de muncă. Executați fiecare lucrare cu calm și cu atenție. Utilizatorul este responsabil pentru toate distrugerile provocate unor terțe părți.
5. **Nu utilizați niciodată mașina sub influența alcoolului, drogurilor sau medicamentelor.**
6. **Mănușile de lucru din piele rezistentă sunt componente ale echipamentului de bază al mașinii și trebuie să fie purtate întotdeauna în timpul utilizării acesteia.** De asemenea, purtați încălțăminte rezistentă și cu tălpi antiderapante.
7. **Înainte de a începe lucrul, verificați mașina pentru a vă asigura că este în stare bună și sigură de funcționare.** Asigurați-vă că apărătorile sunt montate corect. Mașina nu trebuie utilizată dacă nu este complet asamblată.

Operarea

1. **Țineți bine mașina cu ambele mâini atunci când o utilizați.**
2. **Mașina este concepută pentru a fi utilizată la nivelul solului de către operator.** Nu utilizați mașina pe scări sau pe alte suporturi instabile.
3. **Nu purtați simultan mai multe centuri cu curele și/sau centuri de umăr atunci când utilizați mașina.**
4. **PERICOL - Țineți mâinile la distanță de lamă.** Contactul cu lama poate cauza vătămări corporale grave.
5. **Nu utilizați mașina în condiții de ploaie, umiditate sau de umezeală foarte ridicată.** Motorul electric nu este etanș la apă.
6. **Înainte de utilizare, asigurați-vă că aveți o bază sigură de sprijinire a picioarelor.**
7. **Nu acționați unealta în gol în mod inutil.**

8. **Oprii imediat mașina și scoateți cartușul acumulatorului în cazul în care lamele de foarfecă intră în contact cu un gard sau cu un alt obiect dur.** Verificați lamele și, dacă sunt deteriorate, înlocuiți-le imediat.
9. **Înainte de a verifica lamele de foarfecă, de a remedia defecțiunile sau de a scoate materialul prins în lamele de foarfecă, opriți întotdeauna mașina și scoateți cartușul acumulatorului.**
10. **Nu îndreptați niciodată lamele de foarfecă spre dumneavoastră sau spre alte persoane.**
11. **Dacă lamele se opresc din cauza blocării unor obiecte străine între acestea în timpul funcționării, opriți mașina și scoateți cartușul acumulatorului, iar apoi îndepărtați obiectele străine cu ajutorul unor unelte precum cleștele.** Îndepărtarea manuală a obiectelor străine poate cauza accidente deosebite, ca reacție la îndepărtarea obiectelor străine, lamele s-ar putea mișca.
12. **Evitați mediile periculoase. Nu utilizați mașina în locații cu umezeală și nu o expuneți la ploaie.** Dacă intră apă în mașină, riscul electrocutării este mai mare.

Întreținere și depozitare

1. **Oprii mașina și scoateți cartușul acumulatorului înainte de a efectua orice operații de întreținere.**
2. **Când mutați mașina într-o altă locație, inclusiv în timpul desfășurării activității, scoateți întotdeauna cartușul acumulatorului și montați capacul pentru lame peste lamele de foarfecă.** Nu transportați niciodată mașina atunci când lamele funcționează. Nu apucați niciodată lamele cu mâinile.
3. **După utilizare și înainte de a depozita mașina pentru o perioadă îndelungată, curățați mașina și, în special, lamele de foarfecă.** Ungeți lamele cu puțin ulei și puneți capacul peste lame.
4. **Depozitați mașina cu capacul peste lame, într-o încăpere uscată.** Nu o lăsați la îndemâna copiilor. Nu depozitați niciodată mașina în exterior.
5. **Nu aruncați acumulatorul(ii) în foc.** Elementul poate exploda. Consultați codurile locale pentru instrucțiunile corecte de depunere la deșeurii.
6. **Nu deschideți și nu dezmembrați acumulatorul(ii).** Electrolitul eliberat este coroziv și poate cauza afecțiuni ale pielii și ochilor. Acesta poate fi toxic dacă este înghițit.
7. **Nu încărcați bateria în ploaie sau în zone cu umezeală.**

PĂSTRAȚI ACESTE INSTRUCȚIUNI.

⚠️ AVERTIZARE: NU permiteți comodității și familiarizării cu produsul (obținute prin utilizare repetată) să înlocuiască respectarea strictă a normelor de securitate pentru acest produs. FOLOSIREA INCORECTĂ sau nerespectarea normelor de securitate din acest manual de instrucțiuni poate provoca vătămări corporale grave.

Instrucțiuni importante privind siguranța pentru cartușul acumulatorului

1. Înainte de a folosi cartușul acumulatorului, citiți toate instrucțiunile și atenționările de pe (1) încărcătorul acumulatorului, (2) acumulator și (3) produsul care folosește acumulatorul.
2. Nu dezamblați și nu interveniți asupra cartușului acumulatorului. Acest lucru poate cauza incendii, căldură excesivă sau explozii.
3. Dacă timpul de funcționare s-a redus excesiv, întrerupeți imediat funcționarea. Aceasta poate prezenta risc de supraîncălzire, posibile arsuri și chiar explozie.
4. Dacă electrolitul pătrunde în ochi, clătiți bine ochii cu apă curată și consultați imediat un medic. Există risc de orbire.
5. Nu scurtcircuitați cartușul acumulatorului:
 - (1) Nu atingeți bornele cu niciun material conductor.
 - (2) Evitați depozitarea cartușului acumulatorului la un loc cu alte obiecte metalice cum ar fi cuie, monede etc.
 - (3) Nu expuneți cartușul acumulatorului la apă sau ploaie.

Un scurtcircuit al acumulatorului poate provoca un flux puternic de curent electric, supraîncălzire, posibile arsuri și chiar defectarea mașinii.

6. Nu depozitați și nu utilizați mașina și cartușul acumulatorului în locuri în care temperatura poate atinge sau depăși 50 °C (122 °F).
7. Nu incinerati cartușul acumulatorului chiar dacă acesta este grav deteriorat sau complet uzat. Cartușul acumulatorului poate exploda în foc.
8. Nu introduceți cuie în cartușul acumulatorului, nu îl tăiați, striviți, aruncați sau scăpați și nu îl loviți cu un obiect dur. Astfel de acțiuni pot provoca incendii, căldură excesivă sau explozii.
9. Nu utilizați un acumulator deteriorat.
10. Acumulatorii Li-Ion încorporați se supun cerințelor Legislației privind substanțele periculoase.

Pentru transporturi comerciale, efectuate de exemplu de către părți terțe, expeditori, trebuie respectate cerințele speciale de ambalare și etichetare.

Pentru pregătirea articolului care urmează să fie expediat, este necesară consultarea unui expert în materiale periculoase. Vă rugăm să respectați, de asemenea, reglementările naționale, care pot fi mai detaliate.

Izolați sau acoperiți contactele deschise și împachetați acumulatorul în așa fel încât să nu se poată mișca în ambalaj.
11. Atunci când eliminați la deșeuri cartușul acumulatorului, scoateți-l din mașină și eliminați-l într-un loc sigur. Respectați normele naționale privind eliminarea la deșeuri a acumulatorului.

12. Utilizați acumuloarele numai cu produsele specificate de Makita. Instalarea acumulatorilor în produse neconforme poate cauza incendii, căldură excesivă, explozii sau scurgeri de electrolit.
13. Dacă mașina nu este utilizată o perioadă lungă de timp, acumulatorul trebuie scos din acesta.
14. În timpul utilizării și după aceea, cartușul acumulatorului se poate încălzi, ceea ce poate cauza arsuri sau arsuri la temperaturi scăzute. Fiți atenți la manipularea cartușelor de acumulator atunci când sunt fierbinți.
15. Nu atingeți borna mașinii imediat după utilizare, întrucât se poate încălzi foarte tare și poate provoca arsuri.
16. Nu lăsați să pătrundă așchii, praf sau pământ în borne, în orificii și în canalurile cartușului acumulatorului. Acest lucru poate duce la o performanță slabă sau poate cauza defectarea mașinii sau a cartușului acumulatorului.
17. Nu utilizați cartușul acumulatorului în apropierea liniilor electrice de înaltă tensiune, cu excepția cazului în care mașina suportă utilizarea în apropierea liniilor electrice de înaltă tensiune. Acest lucru poate duce la funcționarea necorespunzătoare sau la defectarea mașinii sau a cartușului acumulatorului.
18. Țineți acumulatorul la distanță de copii.

PĂSTRAȚI ACESTE INSTRUCȚIUNI.

⚠ATENȚIE: Folosiți numai acumulatori Makita originali. Acumulatorii Makita care nu sunt originali și acumulatorii care au suferit modificări se pot aprinde, provocând incendii, leziuni corporale și daune. De asemenea, anulează garanția oferită de Makita pentru unealta și încărcătorul Makita.

Sfaturi pentru obținerea unei durate maxime de exploatare a acumulatorului

1. Încărcați cartușul acumulatorului înainte de a se descărca complet. Întrerupeți întotdeauna funcționarea mașinii și încărcați cartușul acumulatorului când observați o scădere a puterii mașinii.
2. Nu reîncărcați niciodată un acumulator complet încărcat. Supraîncărcarea va scurta durata de exploatare a acumulatorului.
3. Încărcați cartușul acumulatorului la temperatura camerei, între 10 °C - 40 °C (50 °F - 104 °F). Lăsați un acumulator fierbinte să se răcească înainte de a-l încărca.
4. Atunci când nu utilizați cartușul acumulatorului, scoateți-l din mașină sau din încărcător.
5. Încărcați cartușul acumulatorului în cazul în care nu a fost utilizat pe o perioadă mai lungă (mai mult de șase luni).

DESCRIEREA FUNCȚIILOR

ATENȚIE: Asigurați-vă întotdeauna că mașina este oprită și cartușul acumulatorului este scos înainte de a ajusta sau verifica funcționarea mașinii.

Instalarea sau scoaterea cartușului acumulatorului

ATENȚIE: Opriți întotdeauna mașina înainte de montarea sau demontarea cartușului de acumulator.

ATENȚIE: Țineți ferm mașina și cartușul acumulatorului la montarea sau demontarea cartușului. În cazul în care nu țineți ferm mașina și cartușul de acumulator, acestea vă pot aluneca din mâini, rezultând defectarea mașinii și cartușului de acumulator, precum și în accidente personale.

► Fig.1: 1. Indicator roșu 2. Buton 3. Cartușul acumulatorului

Pentru a scoate cartușul acumulatorului, glisați-l din mașină în timp ce glisați butonul de pe partea frontală a cartușului.

Pentru a instala cartușul acumulatorului, aliniați limba de pe cartușul acumulatorului cu canelura din carcasă și introduceți-l în locaș. Introduceți-l complet, până când se înclochetează în locaș. Dacă puteți vedea indicatorul roșu din partea superioară a butonului, acesta nu este blocat complet.

ATENȚIE: Instalați întotdeauna cartușul acumulatorului complet, până când indicatorul roșu nu mai este vizibil. În caz contrar, acesta poate cădea accidental din mașină provocând rănirea dumneavoastră sau a persoanelor din jur.

ATENȚIE: Nu forțați cartușul acumulatorului la montare. Dacă acesta nu glisează ușor, înseamnă că a fost introdus incorect.

Indicarea capacității rămase a acumulatorului

Numai pentru cartușe de acumulator cu indicator

► Fig.2: 1. Lămpi indicatoare 2. Buton de verificare

Apăsăți butonul de verificare de pe cartușul acumulatorului, astfel încât să se indice capacitățile rămase ale acumulatorului. Lămpile indicatorului vor lumina timp de câteva secunde.

Lămpi indicatoare			Capacitate rămasă
Iluminat	Oprit	Iluminare intermitentă	
■ ■ ■ ■			între 75% și 100%
■ ■ ■ □			între 50% și 75%
■ ■ □ □			între 25% și 50%
■ □ □ □			între 0% și 25%
▬ □ □ □			Încărcați acumulatorul.
■ ■ □ □			Este posibil ca acumulatorul să fie defect.
□ □ ■ ■	↑ ↓		

NOTĂ: În funcție de condițiile de utilizare și temperatura ambientală, indicația poate fi ușor diferită de capacitatea reală.

NOTĂ: Prima lampă indicatoare (extremitatea stângă) va lumina intermitent când sistemul de protecție a acumulatorului funcționează.

Reglarea vitezei











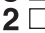

Puteți regla viteza mașinii apăsând pe butonul de alimentare principal. De fiecare dată când apăsați butonul de alimentare principal, nivelul vitezei se modifică.

► Fig.3: 1. Indicator de viteză 2. Buton de alimentare principal

Indicator	Mod	Viteza pistonului
3 ■ ■ ■ 2 ■ ■ ■ 1 ■ ■ ■	Mare	4.400 min ⁻¹
3 □ □ □ 2 ■ ■ ■ 1 ■ ■ ■	Medie	3.600 min ⁻¹
3 □ □ □ 2 □ □ □ 1 ■ ■ ■	Mică	2.000 min ⁻¹

Sistem de protecție mașină/acumulator

Mașina este prevăzută cu un sistem de protecție mașină/acumulator. Acest sistem întrerupe automat alimentarea motorului pentru a extinde durata de funcționare a mașinii și acumulatorului. Mașina se va opri automat în timpul funcționării dacă mașina sau acumulatorul se află într-una din situațiile următoare:

Stare	Lămpi indicatoare		
	<input type="checkbox"/> Pornit	<input type="checkbox"/> Oprit	<input type="checkbox"/> Iluminare intermitentă
Suprasarcină		3  2  1 	
Supraîncălzire	3  2  1 		3  2  1 
Descărcare completă		3  2  1 	

Protecție la suprasarcină

Dacă mașina este blocată cu ramuri sau alte resturi, indicatorii pentru „2” și „3” încep să lumineze intermitent și mașina se oprește automat.

În această situație, opriți mașina și aplicația care a dus la suprasolicitarea mașinii. Apoi reporniți mașina.

NOTĂ: În funcție de condițiile de utilizare, unealta se oprește automat fără nicio indicație, dacă se încurcă în crengi sau resturi și este suprasolicitată. În acest caz, opriți unealta și scoateți cartușul acumulatorului, apoi îndepărtați crengile sau resturile cu ajutorul unor unelte precum cleștii. După îndepărtarea crengilor sau a resturilor, instalați cartușul acumulatorului și reporniți unealta.

Protecție împotriva supraîncălzirii pentru mașină sau acumulator

Există două tipuri de supraîncălzire; supraîncălzirea mașinii și supraîncălzirea acumulatorului. Atunci când mașina se supraîncălzeste, toți indicatorii de viteză luminează intermitent. Atunci când acumulatorul se supraîncălzeste, indicatorul pentru „1” luminează intermitent.

Dacă se produce supraîncălzirea, mașina se oprește în mod automat. Lăsați mașina și/sau acumulatorul să se răcească înainte de repornirea acesteia/acestuia.

Protecție la supradescărcare

Când capacitatea acumulatorului scade, mașina se oprește automat și indicatorul pentru „1” luminează intermitent.

Dacă unealta nu funcționează, deși întrerupătoarele sunt acționate, scoateți acumulatorul din unealtă și încărcați-l.

Acționarea comutatorului de alimentare

AVERTIZARE: Pentru siguranța dumneavoastră, această mașină este echipată cu o pârghie care previne pornirea accidentală. Nu utilizați NICIODATĂ mașina dacă aceasta pornește la simpla tragere a butoanelor declanșatoare, fără a apăsa pârghia. Returnați unealta la un centru de service autorizat pentru efectuarea reparațiilor corespunzătoare ÎNAINTE de a continua utilizarea acesteia.

AVERTIZARE: Nu blocați NICIODATĂ pârghia cu bandă adezivă sau nu dezactivați NICIODATĂ scopul sau funcția acesteia.

AVERTIZARE: Înainte de a introduce cartușul acumulatorului în mașină, verificați întotdeauna dacă butoanele declanșatoare și pârghia funcționează corect și revin în poziția „OFF” (oprit) când sunt eliberate. Utilizarea mașinii cu un întrerupător care nu funcționează corect poate duce la pierderea controlului și la accidentări grave.

ATENȚIE: Nu puneți niciodată degetul pe butoanele declanșatoare în timpul transportului. Mașina poate porni accidental și poate provoca vătămări corporale.

NOTĂ: Nu trageți puternic butonul declanșator fără a apăsa pârghia. În caz contrar, întrerupătorul se poate rupe.

Apăsați pe butonul de alimentare principal pentru a porni mașina. Lampa care indică alimentarea se aprinde atunci când mașina este pornită. Pentru a opri mașina, apăsați lung butonul de alimentare principal. Lampa care indică alimentarea se stinge atunci când mașina este oprită.

► **Fig.4:** 1. Lampă care indică alimentarea 2. Buton de alimentare principal

NOTĂ: Unealta este oprită automat dacă nu este utilizată pentru o anumită perioadă de timp.

Pentru a preveni acționarea accidentală a butonului declanșator, este prevăzută o pârghie. Pentru a porni mașina, trageți butonul declanșator din față și apoi trageți butonul declanșator din spate în timp ce apăsați pârghia. Când eliberați oricare dintre butoanele declanșatoare, mașina se oprește.

► **Fig.5:** 1. Pârghie 2. Buton declanșator din spate 3. Buton declanșator din față

Buton de inversare pentru înlăturarea resturilor

AVERTIZARE: Dacă resturile sau crengile nu pot fi eliminate cu ajutorul funcției inverse, opriți unealta și scoateți cartușul acumulatorului, apoi îndepărtați crengile sau resturile cu ajutorul unor unelte precum cleștii. Dacă unealta nu este oprită și cartușul acumulatorului nu este scos, se pot produce vătămări personale grave în urma pornirii accidentale. Îndepărtarea manuală a crengilor și a resturilor poate cauza accidente, având în vedere că lamele de foarfecă se pot mișca, ca reacție la îndepărtarea acestora.

Această unealtă este prevăzută cu un buton de inversare a sensului de mișcare pentru a schimba direcția de mișcare a lamelor de foarfecă. Este utilizat doar pentru înlăturarea crengilor și a resturilor agățate în unealtă. Pentru a inversa sensul de mișcare a lamelor de foarfecă, apăsați butonul de inversare atunci când lamele de foarfecă se opresc, trageți butonul declanșator din față și apoi trageți butonul declanșator din spate în timp ce apăsați pârghia. Lampa care indică alimentarea începe să lumineze intermitent, iar lamele de foarfecă se mișcă în sens invers.

După îndepărtarea crengilor și a resturilor, unealta revine la mișcarea obișnuită, iar lampa care indică alimentarea nu mai clipește și se aprinde.

► **Fig.6:** 1. Lampă care indică alimentarea 2. Buton de inversare

NOTĂ: Dacă resturile sau crengile agățate nu pot fi îndepărtate, eliberați butoanele declanșatoare și apăsați butonul de inversare, apoi trageți butoanele declanșatoare până la eliminarea acestora.

NOTĂ: Dacă apăsați butonul de inversare în timp ce lamele de foarfecă încă se mișcă, mașina se oprește și este pregătită pentru mișcarea inversă.

ASAMBLARE

⚠ATENȚIE: Asigurați-vă întotdeauna că mașina este oprită și cartușul acumulatorului este scos înainte de a executa orice lucrări la mașină.

⚠ATENȚIE: Atunci când înlocuiți lamele de foarfecă, purtați întotdeauna mănuși, astfel încât mâinile și fața dvs. să nu intre în contact direct cu lamele.

NOTĂ: La înlocuirea lamelor de foarfecă, nu ștergeți unsoarea de pe angrenaj și de pe pârghie.

Montarea sau demontarea lamelor de foarfecă

⚠ATENȚIE: Atașați capacul pentru lame înainte de a demonta sau monta lamele de foarfecă.

Puteți monta lame de foarfecă de 600 mm sau 750 mm pe mașina dumneavoastră.

NOTĂ: Dacă modificați lungimea lamelor de foarfecă, înlocuiți recipientul de resturi cu unul care se potrivește cu lamele.

1. Scoateți patru șuruburi (pentru DUH604S) sau cinci șuruburi (pentru DUH754S), apoi scoateți recipientul de resturi din mașină.

► **Fig.7:** 1. Recipient de resturi 2. Șurub

2. Așezați mașina cu partea de jos în sus, apoi scoateți șase bolțuri.

► **Fig.8:** 1. Bolț

3. Scoateți capacul și placa.

► **Fig.9:** 1. Capac 2. Placă

NOTĂ: Placa poate rămâne pe capac.

4. Scoateți tija și lagărul.

► **Fig.10:** 1. Tijă 2. Lagăr

NOTĂ: Tija sau lagărul poate rămâne pe capac.

5. Scoateți trei șuruburi, trei manșoane și talerul de păslă, apoi scoateți lamele de foarfecă.

► **Fig.11:** 1. Șurub 2. Manșon 3. Taler de păslă
4. Lame de foarfecă

NOTĂ: Aveți grijă să nu pierdeți șuruburile.

6. Scoateți capacul pentru lame, iar apoi montați-l pe lamele de foarfecă noi.

► **Fig.12**

7. Ajustați pârghia astfel încât cele două orificii să fie aliniate pe linia de aliniere.

► **Fig.13:** 1. Orificiu 2. Linie de aliniere

8. Aliniați vertical proeminențele de pe lamele de foarfecă, în aceeași poziție.

► **Fig.14:** 1. Proeminență

9. Introduceți șurubul scos la pasul 5 în orificiul de pe lamele de foarfecă pentru a fixa temporar lamele de foarfecă și apoi atașați talerul de păslă la lamele de foarfecă.

► **Fig.15:** 1. Șurub 2. Taler de păslă 3. Orificiu

10. Introduceți proeminența de pe lamele de foarfecă în orificiul de pe tijă, apoi aliniați poziția talerului de păslă cu orificiile de pe mașină. Atașați două manșoane noi.

► **Fig.16:** 1. Taler de păslă 2. Proeminență 3. Orificiu
4. Manșon

NOTĂ: Aplicați o cantitate mică de unsoare în zona periferică inferioară a orificiului tijei.

NOTĂ: Aveți grijă să nu pierdeți manșoanele.

11. Aliniați orificiile de pe manșoane și de pe lamele de foarfecă cu orificiile de pe mașină și apoi strângeți două șuruburi pentru a fixa temporar lamele de foarfecă.

► **Fig.17:** 1. Șurub

12. Montați un manșon nou.

► **Fig.18:** 1. Manșon

13. Scoateți șurubul introdus în orificiul de pe lamele de foarfecă la pasul 9 și apoi strângeți șurubul împreună cu manșonul pentru a fixa lamele de foarfecă.

► **Fig.19:** 1. Șurub

14. Strângeți bine șuruburile care au fost fixate temporar la pasul 11.

15. Montați lagărul și tija.

► **Fig.20:** 1. Tijă 2. Orificiu de dimensiuni mici 3. Lagăr

NOTĂ: Aplicați o cantitate mică de unsoare în zona periferică inferioară a orificiului de dimensiuni mici al tijei.

NOTĂ: Asigurați-vă că proeminența de pe lamele de foarfecă intră în orificiul de dimensiuni mici de pe tijă.

16. Atașați placa.

► **Fig.21:** 1. Proeminență 2. Placă

NOTĂ: Asigurați-vă că proeminența de pe lamele de foarfecă intră în orificiul de pe placă.

17. Atașați capacul, apoi strângeți șase bolțuri.

► Fig.22: 1. Bolț 2. Capac

18. Atașați recipientul de resturi la mașină prin strângerea a patru șuruburi (pentru DUH604S) sau a cinci șuruburi (pentru DUH754S).

► Fig.23: 1. Recipient de resturi 2. Șurub

NOTĂ: Dacă lamele de foarfecă nu se mișcă lin, lamele de foarfecă nu sunt anghrenate cu tijele în mod corespunzător. Instalați din nou lamele de foarfecă.

NOTĂ: Dacă alte piese, cu excepția lamelor de foarfecă, cum ar fi tijele, se uzează, solicitați Centrelor de service autorizate Makita să înlocuiască piesele sau să efectueze reparații.

Demontarea sau montarea recipientului de resturi

ATENȚIE: Atunci când montați sau demontați recipientul de resturi, purtați întotdeauna mănuși, astfel încât mâinile și fața dvs. să nu intre în contact direct cu lamele de foarfecă.

Recipientul de resturi colectează frunzele eliminate și facilitează curățarea ulterioară.

Pentru a scoate recipientul de resturi, scoateți patru șuruburi (pentru DUH604S) sau cinci șuruburi (pentru DUH754S) și apoi scoateți recipientul de resturi din mașină. Pentru a monta recipientul de resturi, executați în ordine inversă operațiile de demontare.

► Fig.24: 1. Recipient de resturi 2. Șurub

OPERAREA

AVERTIZARE: Țineți mâinile la distanță de lamele de foarfecă.

ATENȚIE: Pe cât posibil, evitați operarea uneltei în condiții de temperatură foarte ridicată. La operarea uneltei, țineți cont de condiția dumneavoastră fizică.

ATENȚIE: În timpul tunderii, aveți grijă să nu atingeți accidental un gard metalic sau alte obiecte tari. Lamele de foarfecă se pot rupe și pot produce răni.

ATENȚIE: Aveți grijă să nu lăsați lamele de foarfecă să intre în contact cu solul. Unealta poate recula, cauzând răni.

ATENȚIE: Întinderea cu o mașină de tuns gardul viu, în special de pe o scară, este extrem de periculoasă. Nu lucrați în timp ce stați pe suporturi instabile sau lipsite de fermitate.

NOTĂ: Nu încercați să tăiați ramuri mai groase de 10 mm cu unealta. Tăiați crengile la o înălțime cu 10 cm mai mică decât înălțimea de tăiere utilizând un cuțit de crengi, înainte de a utiliza această unealtă.

► Fig.25: (1) Înălțime de tăiere (2) 10 cm

NOTĂ: Nu tăiați copaci uscați sau alte obiecte similare dure. Această acțiune poate deteriora unealta.

NOTĂ: Nu tundeți iarba sau buruienile utilizând lamele de foarfecă. Lamele de foarfecă se pot încălci în iarbă sau în buruieni.

Apucați mânerul din față cu mâna dreaptă și mânerul din spate cu mâna stângă. Trageți butonul declanșator din față, apoi trageți butonul declanșator din spate în timp ce apăsați pârghia, apoi mișcați mașina în față.

► Fig.26

Ca operație de bază, înclinați lamele de foarfecă spre direcția de tundere și deplasați-le calm și lent la o viteză nominală de 3 – 4 secunde pe metru.

► Fig.27

Pentru a tăia uniform partea de sus a gardului viu, legați un șnur la înălțimea dorită și aliniați-l.

► Fig.28

Recipientul de resturi colectează frunzele eliminate și facilitează curățarea ulterioară.

► Fig.29

Pentru a tunde uniform o față a gardului viu, tăiați de jos în sus.

► Fig.30

Când tundeți în scopul de a crea o formă rotunjită (tunderea speciilor de Buxus sau Rododendron etc.), tundeți de la rădăcină spre partea superioară, pentru a obține un finisaj aspectuos.

► Fig.31

ÎNȚREȚINERE

ATENȚIE: Asigurați-vă întotdeauna că mașina este oprită și cartușul acumulatorului scos înainte de a executa lucrările de inspecție și întreținere.

Pentru a menține SIGURANȚA și FIABILITATEA produsului, reparațiile și orice alte lucrări de întreținere sau reglare trebuie executate de centre de service Makita autorizate sau proprii, folosind întotdeauna piese de schimb Makita.

Curățarea uneltei

Curățați unealta ștergând praful cu o lavetă uscată și cu o lavetă umezită cu apă cu săpun și stoarsă.

NOTĂ: Nu utilizați niciodată gazolină, benzină, diluant, alcool sau alte substanțe asemănătoare. În caz contrar, pot rezulta decolorări, deformări sau fisuri.

Întreținerea lamelor de foarfecă

Înainte de utilizare, sau o dată pe oră în timpul operării, aplicați ulei cu vâscozitate redusă (ulei de mașină sau ulei de lubrifiere cu aplicare prin pulverizare) pe lamele de foarfecă.

► Fig.32

După utilizare, îndepărtați praful de pe lamele de foarfecă cu o perie din sârmă, ștergeți-le cu o cârpă și apoi aplicați ulei cu vâscozitate redusă (ulei de mașină sau ulei de lubrifiere cu aplicare prin pulverizare) pe lamele de foarfecă.

► Fig.33

NOTĂ: Nu spălați lamele de foarfecă în apă. În caz contrar, unealta poate fi deteriorată sau poate rugini.

NOTĂ: Murdăria și coroziunea pot cauza o fricțiune excesivă a lamei și pot scurta timpul de operare între încărcările acumulatorului.

Depozitare

Orificiul pentru cârlig din partea inferioară a unelei este convenabil pentru suspendarea unelei de un cui sau de șurub de pe perete.

Scoateți cartușul acumulatorului din mașină și montați capacul peste lamele de foarfecă, astfel încât lamele să nu fie expuse. Depozitați mașina în locuri în care copiii nu au acces. Depozitați mașina într-un loc care nu este expus la umezeală sau ploaie.

► Fig.34: 1. Orificiu

Ascuțirea lamelor de foarfecă

NOTĂ: Dacă lamele de foarfecă s-au deformat considerabil prin ascuțire, înlocuiți-le cu un set nou.

1. Montați cartușul acumulatorului pe unealtă.
2. Porniți unealta astfel încât lama superioară și lama inferioară să fie poziționate alternativ.

► Fig.35

3. Deconectați sursa de alimentare și scoateți cartușul acumulatorului din unealtă.
4. Reglați unghiul pilei la 45° și ascuțiți lama superioară din 3 direcții cu pila.

► Fig.36: (1) Pilă (2) 45°

ATENȚIE: Înainte de ascuțirea lamelor de foarfecă, asigurați-vă întotdeauna că unealta este oprită și cartușul acumulatorului este scos.

5. Așezați mașina cu partea de jos în sus, apoi îndepărtați impuritățile vegetale de pe lamele de foarfecă cu piatra de rectificat.

► Fig.37: 1. Piatră de rectificat

6. Reglați unghiul pilei la 45° și ascuțiți lama inferioară din 3 direcții cu pila.

7. Așezați unealta în poziție normală, apoi îndepărtați impuritățile vegetale de pe lamele de foarfecă cu piatra de rectificat.

Lubrifiere cu unsoare

Interval de lubrifiere: La fiecare 100 ore de funcționare

1. Scoateți bolțul din orificiul pentru lubrifiere.

► Fig.38: 1. Bolț

2. Scoateți capacul recipientului cu unsoare. Aliniați vârful recipientului cu unsoare cu orificiul de pe capac și apoi apăsați vârful recipientului cu unsoare în orificiu.

► Fig.39: 1. Recipient cu unsoare 2. Orificiu

3. Aplicați unsoare pe unealtă (Aproximativ 5 g ca indicație).

4. Strângeți bolțul.

DEPANARE

Înainte de a solicita reparații, efectuați mai întâi propria inspecție. În cazul în care găsiți o problemă care nu este explicată în manual, nu încercați să demontați echipamentul. În schimb, adresați-vă Centrelor de service autorizate Makita, utilizând întotdeauna piese de schimb Makita pentru reparații.

Stare de anomalitate	Cauză probabilă (defecțiune)	Remediu
Motorul nu operează.	Cartușul acumulatorului nu este montat.	Montați cartușul acumulatorului.
	Problemă cu acumulatorul (tensiune scăzută)	Reîncărcați acumulatorul. Dacă reîncărcarea nu este eficientă, înlocuiți acumulatorul.
	Sistemul de acționare nu funcționează corect.	Solicitați centrului de service autorizat local efectuarea reparațiilor.
Motorul se oprește din funcționare după puțin timp.	Nivelul de încărcare al acumulatorului este redus.	Reîncărcați acumulatorul. Dacă reîncărcarea nu este eficientă, înlocuiți acumulatorul.
	Supraîncălzire.	Opriti utilizarea uneltei și lăsați-o să se răcească.
Mașina nu atinge turația maximă (RPM).	Acumulatorul este instalat necorespunzător.	Montați cartușul de acumulator în modul descris în acest manual.
	Puterea acumulatorului se reduce.	Reîncărcați acumulatorul. Dacă reîncărcarea nu este eficientă, înlocuiți acumulatorul.
	Sistemul de acționare nu funcționează corect.	Solicitați centrului de service autorizat local efectuarea reparațiilor.
Lamele de foarfecă nu se mișcă: ⇒ opriți imediat mașina!	Obiecte străine sunt prinse în lamele de foarfecă.	1. Utilizați butonul de inversare. 2. Opriti mașina și scoateți cartușul acumulatorului, apoi îndepărtați obiectele străine cu ajutorul unor unelte precum cleștii.
	Sistemul de acționare nu funcționează corect.	Solicitați centrului de service autorizat local efectuarea reparațiilor.
Vibrații anormale: ⇒ opriți imediat mașina!	Lamele de foarfecă sunt rupte, îndoite sau uzate.	Înlocuiți lamele de foarfecă.
	Sistemul de acționare nu funcționează corect.	Solicitați centrului de service autorizat local efectuarea reparațiilor.
Lamele de foarfecă și motorul nu pot fi oprite: ⇒ Scoateți imediat acumulatorul!	Defecțiune electrică.	Scoateți acumulatorul și solicitați reparații din partea centrului de service autorizat local.

ACCESORII OPȚIONALE

⚠ATENȚIE: Folosiți accesoriile sau piesele auxiliare recomandate pentru mașina dumneavoastră Makita în acest manual. Utilizarea oricăror alte accesorii sau piese auxiliare poate prezenta risc de vătămare corporală. Utilizați accesoriile și piesele auxiliare numai în scopul destinat.

Dacă aveți nevoie de asistență sau de mai multe detalii referitoare la aceste accesorii, adresați-vă centrului local de service Makita.

- Ansamblu lame de foarfecă
- Recipient de resturi
- Recipient cu unsoare
- Acumulator și încărcător original Makita

NOTĂ: Unele articole din listă pot fi incluse ca accesorii standard în ambalajul de scule. Acestea pot diferi în funcție de țară.

ТЕХНІЧНІ ХАРАКТЕРИСТИКИ

Модель:	DUH604S	DUH754S
Довжина полотна	600 мм	750 мм
Робоча частота	2 000 / 3 600 / 4 400 хв ⁻¹	
Загальна довжина	1 061 мм	1 200 мм
Номінальна напруга	18 В пост. струму	
Маса нетто	3,4 – 3,9 кг	

- Оскільки наша програма наукових досліджень і розробок триває безперервно, наведені тут технічні характеристики можуть бути змінені без попередження.
- У різних країнах технічні характеристики можуть бути різними.
- Вага може відрізнятись залежно від допоміжного обладнання, наприклад касети з акумулятором. Найлегші та найважчі комплекти, відповідно до стандарту ЕРТА (Європейська асоціація виробників електрострументу) від січня 01/2014 року, представлено в таблиці.

Застосовна касета з акумулятором і зарядний пристрій

Касета з акумулятором	BL1815N / BL1820 / BL1820B / BL1830 / BL1830B / BL1840 / BL1840B / BL1850 / BL1850B / BL1860B
Зарядний пристрій	DC18RC / DC18RD / DC18RE / DC18SD / DC18SE / DC18SF / DC18SH

- Деякі касети з акумулятором і зарядні пристрої, які вказано вище, можуть бути недоступними залежно від вашого регіону або місця перебування.

⚠ ПОПЕРЕДЖЕННЯ: Використовуйте лише касети з акумулятором і зарядні пристрої, перелічені вище. Використання будь-яких інших касет з акумулятором і зарядних пристроїв може призвести до травмування й/або пожежі.


Рекомендований адаптер для акумуляторів


Адаптер для акумуляторів	PDC01
--------------------------	-------


- У деяких регіонах певні моделі адаптера для акумуляторів, які вказано вище, можуть бути недоступні.
- Перед використанням адаптера акумулятора прочитайте інструкції та попереджувальні написи на ньому.


Символи

Далі наведено символи, які можуть застосовуватись для позначення обладнання. Перед користуванням переконайтеся, що ви розумієте їхнє значення.

 Читайте посібник з експлуатації.

 Не піддавайте впливу вологи.

 Обережно: ризик защемлення.

 Вдягайте захисні окуляри.



Тільки для країн ЄС
Не викидайте електроприлади або акумуляторні батареї разом із побутовим сміттям!

Згідно з Європейськими директивами про утилізацію електричного та електронного обладнання та про утилізацію батарей і акумуляторів, а також батарей та акумуляторів, термін служби яких закінчився, та їх використанням із дотриманням національних законів, електричне обладнання, батареї та акумулятори, термін служби яких закінчився, потрібно збирати окремо та відправляти на екологічно чисті підприємства з їхньої переробки.

Призначення

Інструмент призначено для підрізання живоплоту.

Шум

Рівень шуму за шкалою А в типовому виконанні, визначений відповідно до стандарту EN62841-4-2:

Модель DUN604S

Рівень звукового тиску (L_{pA}): 79,3 дБ (А)

Рівень звукової потужності (L_{WA}): 90,3 дБ (А)

Похибка (К): 3 дБ (А)

Модель DUN754S

Рівень звукового тиску (L_{pA}): 80,6 дБ (А)

Рівень звукової потужності (L_{WA}): 91,6 дБ (А)

Похибка (К): 3 дБ (А)

Рівень шуму під час роботи може перевищувати 80 дБ (А).

ПРИМІТКА: Заявлене значення шуму було виміряно відповідно до стандартних методів тестування й може використовуватися для порівняння одного інструмента з іншим.

ПРИМІТКА: Заявлене значення шуму може також використовуватися для попереднього оцінювання впливу.

▲ПОПЕРЕДЖЕННЯ: Користуйтеся засобами захисту органів слуху.

▲ПОПЕРЕДЖЕННЯ: Залежно від умов використання рівень шуму під час фактичної роботи електроінструмента може відрізнятися від заявленого значення вібрації; особливо сильно на це впливає тип деталі, що оброблюється.

▲ПОПЕРЕДЖЕННЯ: Забезпечте належні запобіжні заходи для захисту оператора, що відповідатимуть умовам використання інструмента (слід брати до уваги всі складові робочого циклу, як-от час, коли інструмент вимкнено та коли він починає працювати на холостому ході під час запуску).

Вібрація

Загальна величина вібрації (векторна сума трьох напрямків) визначена згідно з EN62841-4-2:

Модель DUN604S

Вібрація (a_h): 2,5 м/с² або менше

Похибка (К): 1,5 м/с²

Модель DUN754S

Вібрація (a_h): 2,5 м/с² або менше

Похибка (К): 1,5 м/с²

ПРИМІТКА: Заявлене загальне значення вібрації було виміряно відповідно до стандартних методів тестування й може використовуватися для порівняння одного інструмента з іншим.

ПРИМІТКА: Заявлене загальне значення вібрації може також використовуватися для попереднього оцінювання впливу.

▲ПОПЕРЕДЖЕННЯ: Залежно від умов використання вібрація під час фактичної роботи електроінструмента може відрізнятися від заявленого значення вібрації; особливо сильно на це впливає тип деталі, що оброблюється.

▲ПОПЕРЕДЖЕННЯ: Забезпечте належні запобіжні заходи для захисту оператора, що відповідатимуть умовам використання інструмента (слід брати до уваги всі складові робочого циклу, як-от час, коли інструмент вимкнено та коли він починає працювати на холостому ході під час запуску).

Декларація про відповідність стандартам ЄС

Тільки для країн Європи

Декларацію про відповідність стандартам ЄС наведено в Додатку А до цієї інструкції з експлуатації.

ПОПЕРЕДЖЕННЯ ПРО ДОТРИМАННЯ ТЕХНІКИ БЕЗПЕКИ

Загальні застереження щодо техніки безпеки при роботі з електроінструментами

▲ПОПЕРЕДЖЕННЯ: Уважно ознайомтеся з усіма попередженнями про дотримання правил техніки безпеки, інструкціями, ілюстраціями та технічними характеристиками, що стосуються цього електроінструмента. Невиконання будь-яких інструкцій, перелічених нижче, може призвести до ураження електричним струмом, пожежі та/або тяжких травм.

Збережіть усі інструкції з техніки безпеки та експлуатації на майбутнє.

Термін «електроінструмент», зазначений у інструкції з техніки безпеки, стосується електроінструмента, який функціонує від електромережі (електроінструмент з кабелем живлення), або електроінструмента з живленням від батареї (безпроводний електроінструмент).

Попередження про необхідну обережність під час роботи з акумуляторною пилою для підрізання живоплоту

1. **Тримайтеся на безпечній відстані від леза. Не видаляйте зрізаний матеріал і не притримуйте матеріал, який ви хочете зрізати, під час руху лез.** Леза продовжують рухатися після вимкнення вимикача. Одна мить необережності під час роботи з пилою для підрізання живоплоту може призвести до тяжкої травми.
 2. **Переносьте пилю для підрізання живоплоту за ручку після повного зупинення леза й будьте обережні, щоб не натиснути вимикач живлення.** Перенесення пили для підрізання живоплоту з дотриманням заходів безпеки знизить ризик ненавмисного пуску й отримання травм від лез.
 3. **Під час транспортування або зберігання пили для підрізання живоплоту встановлюйте кришку леза.** Поводження з пилою для підрізання живоплоту з дотриманням заходів безпеки знизить ризик отримання травм від лез.
 4. **Під час видалення застряглих обрізків або обслуговування інструмента переконайтеся в тому, що всі вимикачі живлення вимкнені, блок акумулятора вийнято або від'єднано.** Несподіване спрацювання пили для підрізання живоплоту під час видалення застряглих предметів або обслуговування може призвести до тяжких травм.
 5. **Тримайте пилю для підрізання живоплоту тільки за спеціальні ізольовані поверхні, оскільки лезо може зачепити сховану електропроводку.** Торкання лезом дроту під напругою може призвести до передавання напруги до оголених металевих частин пили для підрізання живоплоту й до ураження оператора електричним струмом.
 6. **Тримайте всі шнури живлення й кабелі подалі від місця зрізання.** Шнури живлення або кабелі можуть бути сховані в живоплотах або куцах і можуть бути випадково розрізані лезом.
 7. **Не використовуйте пилю для підрізання живоплоту за поганих погодних умов, особливо коли є ризик виникнення грозового розряду.** Це знижує ризик ураження блискавкою.
3. У разі використання інструмента користувачами-початківцями досвідчений користувач має показати, як правильно працювати з інструментом.
 4. **Використовуйте інструмент тільки тоді, коли перебуваєте в доброму фізичному стані.** Якщо ви стомлені, концентрація уваги знижується. Будьте особливо уважні наприкінці робочого дня. Виконуйте роботу спокійно й обережно. Користувач несе відповідальність за будь-яку шкоду, завдану іншим особам.
 5. **Забароняється працювати з інструментом після вживання алкоголю, ліків або медичних препаратів.**
 6. **Робчі рукавиці з міцної шкіри входять до набору обладнання інструмента; обов'язково вдягайте їх під час роботи з ним.** Взуття має бути міцним, з підшовами, що не ковзають.
 7. **Перед початком роботи перевірте, чи справний інструмент і чи в належному він робочому стані.** Перевірте, чи правильно закріплені запобіжні деталі корпусу. Інструмент можна використовувати тільки в повністю зібраному стані.

Робота

1. **Під час роботи з інструментом міцно тримайте його обома руками.**
2. **Інструмент призначений для використання оператором на рівні землі.** Не використовуйте інструмент на драбині або будь-який інший нестійкий опірі.
3. **Під час роботи з інструментом не використовуйте одночасно кілька ременів і / або плечових ременів.**
4. **НЕБЕЗПЕЧНО - Тримайте руки подалі від ножового полотна.** Контакт із полотном призведе до серйозної травми.
5. **Не використовуйте інструмент під час дощу або за умов високої вологості чи вогкості.** Електричний двигун не є водостійким.
6. **Перед початком роботи переконайтеся, що ви стоїте на надійній поверхні.**
7. **Без потреби не допускайте, щоб інструмент працював без навантаження.**
8. **У разі контакту лез секатора з парканом або іншим твердим предметом негайно вимкніть інструмент і зніміть касету з акумулятором.** Переконайтеся у відсутності пошкоджень на лезах. Негайно замініть леза в разі наявності на них пошкоджень.
9. **Перед перевіркою лез секатора, усуненням поломок чи видаленням матеріалу, який застряг у лезах, завжди вимикайте інструмент і виймайте касету з акумулятором.**
10. **Ніколи не направляйте леза секатора на себе або інших людей.**
11. **Якщо під час роботи ножі зупиняються внаслідок потрапляння між ними сторонніх предметів, вимкніть інструмент і витягніть касету з акумулятором, після чого видаліть сторонні предмети, наприклад, плоскогубцями.** Видалення сторонніх предметів руками пов'язане з ризиком травмування, оскільки під час видалення сторонніх предметів ножі можуть зміститися.

Додаткові інструкції з техніки безпеки

Підготовка

1. **Перед початком робіт з інструментом перевіряйте живопліт і куці на наявність сторонніх предметів, як-от дротяні загрози чи прихована електропроводка.**
2. **Дітям і підліткам молодше 18 років забороняється користуватися інструментом.** Цю заборону може бути знято з молодих людей віком понад 16 років під час проходження практики під наглядом майстра.

12. Не працюйте з інструментом у небезпечних умовах. Не користуйтеся інструментом у вологих або мокрих місцях і не допускайте його знаходження під дощем. У випадку потрапляння води в інструмент зростає ризик ураження електричним струмом.

Технічне обслуговування й зберігання

1. Вимикайте інструмент і знімайте касету з акумулятором, перш ніж виконувати технічне обслуговування.
2. Під час переміщення інструмента в інше місце, зокрема під час роботи, завжди знімайте касету з акумулятором і встановлюйте кришку на лезо секатора. Заборонено переносити й перевозити інструмент для підрізання живоплоту з лезами, що рухаються. Заборонено торкатися леза руками.
3. Очищуйте інструмент і особливо леза секатора після використання, а також перед тривалим зберіганням. Нанесіть невелику кількість мастила на леза й надіньте кришку леза.
4. Зберігайте інструмент з установленою кришкою леза й у сухому приміщенні. Тримайте інструмент у недоступному для дітей місці. Інструмент забороняється зберігати на відкритому повітрі.
5. Не спалюйте акумулятор(и). Акумулятор може вибухнути. Ознайомтеся з місцевими законами на предмет можливих спеціальних інструкцій з утилізації відходів.
6. Не відкривайте та не деформуйте акумулятор(и). Пролитий електроліт є роз'їдаючою речовиною, тому може нанести травму при контакті зі шкірою або очима. При проковтуванні може бути токсичним.
7. Не заряджайте акумулятор під дощем або в місцях із підвищеною вологістю.

ЗБЕРІГАЙТЕ ЦІ ВКАЗІВКИ.

⚠ПОПЕРЕДЖЕННЯ: НИКОЛИ НЕ втрачайте пильності та не розслабляйтеся під час користування виробом (що можливо при частому використанні); обов'язково строго дотримуйтеся відповідних правил безпеки. **НЕНАЛЕЖНЕ ВИКОРИСТАННЯ** або недотримання правил техніки безпеки, викладених у цій інструкції з експлуатації, може призвести до серйозних травм.

Важливі інструкції з безпеки для касети з акумулятором

1. Перед тим як користуватися касетою з акумулятором, слід прочитати всі інструкції та застережні знаки щодо (1) зарядного пристрою акумулятора, (2) акумулятора та (3) виробів, що працюють від акумулятора.
2. Не розбирайте касету з акумулятором і не змінюйте її конструкцію. Це може призвести до пожежі, перегріву або вибуху.
3. Якщо період роботи дуже покоротшав, слід негайно припинити користування. Це може призвести до виникнення ризику перегріву, опіку та навіть вибуху.

4. У разі потрапляння електроліту в очі слід промити їх чистою водою та негайно звернутися до лікаря. Це може призвести до втрати зору.

5. Не закоротіть касету з акумулятором.
 - (1) Не слід торкатися клем будь-яким струмопровідним матеріалом.
 - (2) Не слід зберігати касету з акумулятором у ємності з іншими металевими предметами, такими як цвяхи, монети тощо.
 - (3) Не залишайте касету з акумулятором під дощем, запобігайте контакту з водою.

Коротке замикання може призвести до появи значного струму, перегріву, можливих опіків та навіть виходу з ладу.

6. Не слід зберігати й використовувати інструмент і касету з акумулятором у місцях, де температура може сягнути чи перевищити 50 °C (122 °F).
7. Не слід спалювати касету з акумулятором, навіть якщо вона була неодноразово пошкоджена або повністю спрацьована. Касета з акумулятором може вибухнути у вогні.
8. Заборонено забивати цвяхи в касету з акумулятором, різати, ламати, кидати, впускати касету з акумулятором або вдаряти її твердим предметом. Це може призвести до пожежі, перегріву або вибуху.
9. Не слід використовувати пошкоджений акумулятор.

10. Літій-іонні акумулятори, що містяться в інструменті, мають відповідати вимогам законів про небезпечні товари. Під час транспортування за допомогою комерційних перевезень, наприклад із залученням третьої сторони та експедиторів, необхідно дотримуватись особливих вимог, вказаних на пакуванні й у маркуванні.

Під час підготування позиції до відправлення необхідно проконсультуватись зі спеціалістом з небезпечних матеріалів. Крім того, слід виконувати більш докладні національні настанови, якщо такі є. Заклейте відкриті контакти стрічкою або заховайте їх і запакуйте акумулятор таким чином, щоб він не міг рухатися в пакуванні.

11. Для утилізації касети з акумулятором витягніть її з інструмента та утилізуйте безпечним способом. Дотримуйтеся норм місцевого законодавства щодо утилізації акумуляторів.
12. Використовуйте акумулятори лише з виробами, указаними компанією Makita. Установлення акумуляторів у невідповідні виробы може призвести до пожежі, надмірного нагрівання, вибуху чи витoku електроліту.
13. Якщо інструментом не користуватимуться протягом тривалого періоду часу, вийміть акумулятор з інструмента.
14. Під час і після використання касета з акумулятором може нагріватись, що може стати причиною опіків або низькотемпературних опіків. Будьте обережні під час поводження з гарячою касетою з акумулятором.

15. Не торкайтеся контактів інструмента відразу після використання, оскільки він може бути досить гарячим, щоб викликати опіки.
16. Не допускайте, щоб уламки, пил або земля прилипали до контактів, отворів і пазів на касеті з акумулятором. Це може привести до зниження експлуатаційних параметрів, поломки інструмента або касети з акумулятором.
17. Якщо інструмент не розраховано на використання поблизу високовольтних ліній електропередач, не використовуйте касету з акумулятором поблизу високовольтних ліній електропередач. Це може призвести до несправності, поломки інструмента або касети з акумулятором.
18. Тримайте акумулятор у недоступному для дітей місці.

ЗБЕРІГАЙТЕ ЦІ ВКАЗІВКИ.

⚠ОБЕРЕЖНО: Використовуйте тільки акумулятори Makita. Використання акумуляторів, інших ніж оригінальні акумулятори Makita, або акумуляторів, конструкцію яких було змінено, може призвести до вибуху акумулятора і спричинити пожежу, травму або пошкодження. У зв'язку з цим також буде анульовано гарантію Makita на інструмент Makita і на зарядний пристрій.

Поради з забезпечення максимального строку експлуатації акумулятора

1. Касету з акумулятором слід заряджати до того, як він розрядиться повністю. Завжди слід зупинити роботу інструмента та зарядити акумулятор, якщо ви помітили зменшення потужності інструмента.
2. Ніколи не слід заряджати повторно повністю заряджену касету з акумулятором. Перезарядження скорочує строк експлуатації акумулятора.
3. Заряджайте касету з акумулятором при кімнатній температурі 10°C - 40°C (50°F - 104°F). Перед тим як заряджати касету з акумулятором, слід зачекати, доки вона охолоне.
4. Коли касета з акумулятором не використовується, виймайте її з інструмента або зарядного пристрою.
5. Якщо касета з акумулятором не використовувалася тривалий час (понад шість місяців), її слід зарядити.

ОПИС РОБОТИ

⚠ОБЕРЕЖНО: Обов'язково переконайтеся, що прилад вимкнено, а касету з акумулятором знято, перед регулюванням або перевіркою функціонування інструмента.

Встановлення та зняття касети з акумулятором

⚠ОБЕРЕЖНО: Завжди вимикайте інструмент перед встановленням або зняттям касети з акумулятором.

⚠ОБЕРЕЖНО: Під час встановлення або зняття касети з акумулятором слід міцно тримати інструмент та касету з акумулятором. Якщо ви утримуватимете інструмент та касету з акумулятором недостатньо міцно, вони можуть вислизнути з рук, що може призвести до пошкодження інструмента та касети з акумулятором або може спричинити травми.

► **Рис.1:** 1. Червоний індикатор 2. Кнопка 3. Касета з акумулятором

Щоб зняти касету з акумулятором, слід витягнути її з інструмента, натиснувши на кнопку в передній частині касети.

Щоб установити касету з акумулятором, слід сумістити виступ на касеті з акумулятором із пазом у корпусі та вставити касету на місце. Її необхідно вставити повністю, аж доки не почуєте клацання. Якщо на верхній частині кнопки помітний червоний індикатор, це означає, що касета з акумулятором установлена не до кінця.

⚠ОБЕРЕЖНО: Завжди вставляйте касету з акумулятором повністю, щоб червоного індикатора не було видно. Якщо цього не зробити, касета може випадково випасти з інструмента та завдати травми вам або людям, що знаходяться поряд.

⚠ОБЕРЕЖНО: Не встановлюйте касету з акумулятором із зусиллям. Якщо касета не вставляється легко, то це означає, що ви її неправильно вставляєте.

Відображення залишкового заряду акумулятора

Тільки для касет з акумулятором, які мають індикатори

► **Рис.2:** 1. Індикаторні лампи 2. Кнопка перевірки

Натисніть кнопку перевірки на касеті з акумулятором для відображення залишкового ресурсу акумулятора. Індикаторні лампи загоряться на кілька секунд.

Індикаторні лампи			Залишковий ресурс
Горить	Вимк.	Блимає	
			від 75 до 100%
			від 50 до 75%
			від 25 до 50%
			від 0 до 25%
			Зарядіть акумулятор.
			Можливо, акумулятор вийшов з ладу.

ПРИМІТКА: Залежно від умов використання та температури оточуючого середовища показання можуть незначним чином відрізнятися від дійсного ресурсу.

ПРИМІТКА: Перша (дальня ліва) індикаторна лампа блимає під час роботи захисної системи акумулятора.

Налаштування швидкості

Налаштувати швидкість інструмента можна, коротко натискаючи головну кнопку живлення. За кожного натискання головної кнопки живлення рівень частоти обертання змінюється.

► **Рис.3:** 1. Індикатор частоти обертання 2. Головна кнопка живлення

Індикатор	Режим	Швидкість ходу
	Висока	4 400 хв ⁻¹
	Середня	3 600 хв ⁻¹
	Низька	2 000 хв ⁻¹

Система захисту інструмента/акумулятора

Інструмент оснащено системою захисту інструмента/акумулятора. Ця система автоматично вимикає живлення двигуна з метою збільшення терміну служби інструмента та акумулятора. Інструмент автоматично зупиняється під час роботи, якщо інструмент або акумулятор перебувають у зазначених нижче умовах.

Стан	Індикаторні лампи		
	Увімкн.	Вимкн.	Блимає
Перевантаження			
Перегрів			
Надмірне розрядження			

Захист від перевантаження

Якщо інструмент перевантажено через застрягли гілки або інше сміття, індикатори 2 й 3 почнуть блимати, а інструмент автоматично зупиниться. У такому разі вимкніть інструмент і припиніть роботу, під час виконання якої інструмент зазнав перевантаження. Щоб перезапустити інструмент, увімкніть його знову.

УВАГА: Залежно від умов експлуатації інструмент може автоматично вимикатися без увімкнення будь-яких індикаторів у разі перевантаження через накопичення гілок або сміття. В цьому випадку слід вимкнути живлення інструмента й витягти касету з акумулятором, після чого видалити накопичені гілки або сміття, наприклад, за допомогою плоскогубців. Після видалення гілок або сміття встановіть касету з акумулятором на місце й увімкніть інструмент.

Захист від перегрівання інструмента або акумулятора

Існує два типи перегріву: перегрів інструмента й перегрів акумулятора. У разі перегріву інструмента блимають усі індикатори частоти обертання. У разі перегріву акумулятора блимає індикатор 1. Коли трапляється перегрів, інструмент автоматично зупиняється. Перед повторним увімкненням дайте інструменту/акумулятору охолонути.

Захист від надмірного розрядження

Коли акумулятор розряджається, інструмент зупиняється автоматично й індикатор 1 починає блимати. Якщо вмикач натиснуто, а інструмент не працює, витягніть з інструмента акумулятор і зарядіть його.

Умикання живлення

▲ ПОПЕРЕДЖЕННЯ: З міркувань безпеки цей інструмент обладнано важелем, що запобігає ненавмисному запуску інструмента. **ЗАБОРОНЕНО** використовувати інструмент, якщо він запускається простим натисканням курків вмикача без натискання важеля. **ПРИПИНІТЬ** високу аvarстання інструмента й передайте його до нашого авторизованого сервісного центру для ремонту.

▲ ПОПЕРЕДЖЕННЯ: **ЗАБОРОНЕНО** фіксувати клейкою стрічкою або іншим чином вимикати функцію важеля.

▲ ПОПЕРЕДЖЕННЯ: Перед установленням касети з акумулятором на інструмент слід перевірити, чи справно працюють курки вмикача й важіль і чи повертаються в положення «ВІМК.» після відпускання. Робота з інструментом, вмикач якого не спрацьовує належним чином, може призвести до втрати контролю над інструментом і до отримання тяжких травм.

▲ ОБЕРЕЖНО: Не кладіть пальці на курки вмикача під час перенесення. Інструмент може випадково запуститися й спричинити травму.

УВАГА: Заборонено натискати із силою на курок вмикача, якщо важіль не натиснуто. Це може призвести до поломки вмикача.

Для ввімкнення інструмента натисніть головну кнопку живлення. Під час увімкнення інструмента загоряється індикатор живлення. Щоб вимкнути інструмент, натисніть і утримуйте головну кнопку живлення. Після вимкнення інструмента індикатор живлення вмикається.

► **Рис.4:** 1. Індикатор живлення 2. Головна кнопка живлення

ПРИМІТКА: Інструмент автоматично вимикається, якщо протягом певного часу ним не користувалися.

Для запобігання випадковому натисненню курка вмикача передбачено важіль. Для запуску інструмента натисніть передній курок вмикача, а потім потягніть задній курок вмикача, одночасно натискаючи важіль. У разі відпускання будь-якого з курків вмикача інструмент зупиняється.

► **Рис.5:** 1. Важіль 2. Задній курок вмикача
3. Передній курок вмикача

Кнопка зворотного ходу для видалення сміття

▲ ПОПЕРЕДЖЕННЯ: Якщо накопичені гілки або сміття не можна видалити за допомогою функції реверсу, вимкніть інструмент і вийміть касету з акумулятором, після чого видаліть накопичені гілки або сміття, наприклад, за допомогою плоскогубців. Якщо інструмент не вимкнути та не зняти касету з акумулятором, це може призвести до серйозних травм внаслідок випадкового запуску інструмента. Видалення накопичених гілок або сміття руками може привести до травми, оскільки леза секатора можуть зміститися під час видалення гілок.

Цей інструмент оснащено кнопкою реверсу для зміни напрямку руху лез секатора. Ця функція призначена лише для видалення гілок і сміття, що застрягли в інструменті. Щоб змінити напрямок руху лез секатора, натисніть кнопку реверсу після зупинення лез секатора, натисніть передній курок вмикача, а потім натисніть задній курок вмикача, водночас натискаючи важіль. Індикатор живлення починає блимати, а леза секатора починають рухатися у зворотному напрямку. Після видалення накопичених гілок і сміття напрямком обертання лез інструмента знову змінюється на звичайний, а індикатор живлення перестає блимати й постійно світиться.

► **Рис.6:** 1. Індикатор живлення 2. Кнопка зворотного ходу

ПРИМІТКА: Якщо гілки або сміття, що застрягло, не вдається видалити, відпустіть курки вмикача, натисніть кнопку реверса й потягніть курки вмикача до їхнього повного видалення.

ПРИМІТКА: Якщо натиснути кнопку реверсу коли леза рухаються, інструмент зупиняється для зміни напрямку руху лез.

ЗБОРКА

▲ ОБЕРЕЖНО: Обов'язково переконайтеся, що прилад вимкнено, а касету з акумулятором знято, перш ніж проводити будь-які роботи з інструментом.

▲ ОБЕРЕЖНО: Для заміни лез секатора завжди надягайте рукавиці, щоб уникнути прямого контакту рук із лезами.

УВАГА: Не витирайте мастило з зубчатої передачі та кривошипного механізму, коли замінюєте ножове полотно.

Встановлення та зняття лез секатора

▲ ОБЕРЕЖНО: Установіть кришку перед зняттям чи встановленням ножового полотна.

На інструмент можна встановити леза секатора довжиною 600 мм або 750 мм.

ПРИМІТКА: У разі заміни лез секатора лезами іншої довжини замініть уловлювач скалок, підібравши його відповідно до лез.

1. Видаліть чотири гвинти (для DUH604S) або п'ять гвинтів (для DUH754S) і зніміть уловлювач скалок з інструмента.

► **Рис.7:** 1. Уловлювач скалок 2. Гвинт

2. Покладіть інструмент у перевернутому положенні й відкрутіть шість болтів.

► **Рис.8:** 1. Болт

3. Зніміть кришку та пластину.

► **Рис.9:** 1. Кришка 2. Пластина

ПРИМІТКА: Пластина може залишатися на крищі.

4. Видаліть стрижень і підшипник.
► **Рис.10:** 1. Стрижень 2. Підшипник

ПРИМІТКА: Стрижень або підшипник можуть залишитися на кришці.

5. Викрутіть три гвинти, три муфти й повстану підкладку та зніміть леза секатора.
► **Рис.11:** 1. Гвинт 2. Муфта 3. Повстяна підкладка 4. Леза секатора

УВАГА: Будьте уважні, щоб не загубити гвинти.

6. Зніміть кришку леза й прикріпіть її до нових лез секатора.
► **Рис.12**

7. Відрегулюйте кривошипний механізм таким чином, щоб два отвори були розташовані на лінії вирівнювання.
► **Рис.13:** 1. Отвір 2. Лінія вирівнювання

8. Зіставте виступи на лезах секатора так, щоб вони були на одному рівні за вертикаллю.
► **Рис.14:** 1. Виступ

9. Вставте гвинт, видалений на кроці 5, в отвір на лезах секатора, щоб тимчасово закріпити леза секатора, і прикріпіть повстану підкладку до лез секатора.
► **Рис.15:** 1. Гвинт 2. Повстяна підкладка 3. Отвір

10. Вставте виступ на лезах секатора в отвір на стрижні й вирівняйте положення повстяної підкладки відносно отворів на інструменті. Прикріпіть дві нові муфти.
► **Рис.16:** 1. Повстяна підкладка 2. Виступ 3. Отвір 4. Муфта

УВАГА: Нанесіть невелику кількість мастила на внутрішню поверхню отвору стрижня.

УВАГА: Будьте уважні, щоб не загубити муфти.

11. Зіставте отвори на муфтах і лезах секатора з отворами на інструменті й затягніть два гвинти для тимчасової фіксації лез секатора.
► **Рис.17:** 1. Гвинт

12. Прикріпіть нову муфту.
► **Рис.18:** 1. Муфта

13. Видаліть гвинт, вставлений в отвір на лезах секатора на кроці 9, і затягніть гвинт разом із муфтою, щоб закріпити леза секатора.
► **Рис.19:** 1. Гвинт

14. Щільно затягніть гвинти, тимчасово зафіксовані на кроці 11.

15. Прикріпіть підшипник і стрижень.
► **Рис.20:** 1. Стрижень 2. Малий отвір 3. Підшипник

УВАГА: Нанесіть невелику кількість мастила на внутрішню поверхню малого отвору стрижня.

УВАГА: Переконайтеся в тому, що виступ на лезах секатора входить у малий отвір на стрижні.

16. Прикріпіть пластину.
► **Рис.21:** 1. Виступ 2. Пластина

УВАГА: Переконайтеся в тому, що виступ на лезах секатора входить в отвір на стрижні.

17. Прикріпіть кришку й затягніть шість болтів.
► **Рис.22:** 1. Болт 2. Кришка

18. Прикріпіть до інструмента уловлювач скалок, затягнувши чотири гвинти (для DUH604S) або п'ять гвинтів (для DUH754S).
► **Рис.23:** 1. Уловлювач скалок 2. Гвинт

УВАГА: Якщо леза секатора не рухаються належним чином, це означає, що їх не з'єднано зі стрижнями як слід. Установіть леза секатора заново.

УВАГА: У разі зношення частин інструмента (крім лез секатора), наприклад стрижнів, зверніться до авторизованого сервісного центру Makita, щоб їх замінити або відремонтувати.

Установлення або видалення уловлювача скалок

⚠ОБЕРЕЖНО: Під час установки або зняття уловлювача скалок завжди надягайте рукавиці, щоб не торкатися лез руками.

Уловлювач скалок збирає відкинуте листя разом, що значно полегшує подальше прибирання.

Щоб видалити уловлювач скалок, видаліть чотири гвинти (для DUH604S) або п'ять гвинтів (для DUH754S) і потім видаліть уловлювач скалок з інструмента. Щоб установити уловлювач скалок, виконайте процедуру зняття у зворотному порядку.
► **Рис.24:** 1. Уловлювач скалок 2. Гвинт

РОБОТА

⚠ПОПЕРЕДЖЕННЯ: Тримайте руки на відстані від лез секатора.

⚠ОБЕРЕЖНО: Якнайменше використовуйте інструмент у спекотну погоду. Під час використання інструмента стежте за своїм фізичним станом.

⚠ОБЕРЕЖНО: Будьте обережні: не допускайте випадкового контакту з металом або іншими твердими предметами під час підрізання. Леза секатора можуть зламатися та спричинити травму.

⚠ОБЕРЕЖНО: Уникайте контакту ножового полотна із землею. Інструмент може відскочити та спричинити травму.

⚠ОБЕРЕЖНО: Не дотягуйте до віддалених зон, коли працюєте з пилюю, особливо стоячи на драбині: це надзвичайно небезпечно. Під час роботи не стійте на нестійкій або неміцній поверхні.

УВАГА: Не намагайтеся зрізати пилою гілки, товщіші за 10 мм у діаметрі. Перш ніж скористатися цим інструментом, підріжте такі гілки на 10 см нижче висоти різання за допомогою садових ножиць.

► **Рис.25:** (1) Висота різання (2) 10 см

УВАГА: Не зрізуйте засохлі дерева чи інші подібні тверді предмети. Це може призвести до виходу інструмента з ладу.

УВАГА: Не підрізайте траву чи бур'ян цими лезами секатора. Леза секатора можуть заплутатися в траві чи бур'яні.

Правою рукою утримуйте передню ручку, а лівою – задню ручку. Натисніть передній курок вмикача, потім задній курок вмикача, одночасно натискаючи важіль, і перемістіть інструмент уперед.

► **Рис.26**

Для роботи у звичайному режимі нахиліть леза секатора в напрямку різання, плавно й повільно рухайте інструмент в напрямку різання зі швидкістю один метр за 3 – 4 секунди.

► **Рис.27**

Щоб рівно обрізати верхню частину живоплоту, простягніть мотузку на потрібній висоті та виконуйте обрізку по мотузці.

► **Рис.28**

Уповнювач скалок збирає відкинуте листя разом, що значно полегшує подальше прибирання.

► **Рис.29**

Щоб рівномірно підрізати бокову частину живоплоту, підрізуйте в напрямку знизу вгору.

► **Рис.30**

Щоб досягти гарного результату у створенні круглої форми (наприклад, у роботі з самшитом чи рододендромом), підрізуйте в напрямку від коріння до вершини.

► **Рис.31**

ТЕХНІЧНЕ ОБСЛУГОВУВАННЯ

⚠ОБЕРЕЖНО: Перед здійсненням перевірки або обслуговування завжди перевіряйте, щоб інструмент був вимкнений, а касета з акумулятором була знята.

Для забезпечення БЕЗПЕКИ та НАДІЙНОСТІ продукції, її ремонт, а також роботи з обслуговування або регулювання повинні виконуватись уповноваженими або заводськими сервісними центрами Makita із використанням запчастин виробництва компанії Makita.

Очищення інструмента

Щоб очистити інструмент, протріть на ньому пил сухою тканиною або занурте його в мильну воду та вийміть звідти.

УВАГА: Ніколи не використовуйте газолін, бензин, розріджувач, спирт та подібні речовини. Їх використання може призвести до зміни кольору, деформації або появи тріщин.

Технічне обслуговування леза секатора

Перед роботою чи щогодини під час роботи змащуйте леза секатора мастилом із низькою в'язкістю (наприклад, машинне мастило чи змащувальний матеріал, що розпиляється).

► **Рис.32**

Після роботи слід видалити пил із лез секатора дряною щіткою, протерти їх тканиною, після чого нанести мастило з низькою в'язкістю (наприклад, машинне мастило чи змащувальний матеріал у формі аерозолі).

► **Рис.33**

УВАГА: Не мийте леза секатора водою. Це може призвести до утворення іржі та пошкодження інструмента.

УВАГА: Бруд і корозія спричиняють надмірне тертя ножицею по полотну та скорочують час роботи після кожного циклу заряджання акумулятора.

Зберігання

Отвір для кріплення в нижній частині інструмента зручний для того, щоб повісити інструмент на цвях або шуруп на стіні.

Зніміть касету з акумулятором з інструмента й установіть кожух леза на леза секатора, щоб захистити їх від зовнішніх впливів. Зберігайте інструмент у недоступному для дітей місці. Зберігайте інструмент у місці, де він не зазнаватиме впливу вологи й дощу.

► **Рис.34:** 1. Отвір

Заточування лез секатора

УВАГА: Якщо леза секатора було сильно деформовано під час заточування, замініть їх новими.

1. Установіть касету з акумулятором в інструмент.
2. Увімкніть і запустіть інструмент, щоб верхнє та нижнє леза розташувалися у розбіг.

► **Рис.35**

3. Вимкніть інструмент і витягніть з нього касету з акумулятором.

4. Тримачи напилок під кутом 45° і рухаючи ним у трьох напрямках, заточіть верхнє лезо.

► **Рис.36:** (1) Напилки (2) 45°

⚠ ОБЕРЕЖНО: Перед заточуванням лез переконайтеся в тому, що інструмент вимкнено й касету з акумулятором витягнуто з інструмента.

5. Переверніть інструмент і видаліть задирки з лез секатора точильним каменем.
- ▶ **Рис.37:** 1. Точильний камінь
6. Тримавши напилек під кутом 45° і рухаючи ним у трьох напрямках, заточіть нижнє лезо.
7. Поверніть інструмент у нормальне положення й видаліть задирки з лез секатора точильним каменем.

Змащування консистентним мастилом

Інтервал змащування: кожні 100 години роботи

1. Вийміть болт з отвору для змащення.
 - ▶ **Рис.38:** 1. Болт
2. Зніміть ковпачок із резервуара для мастила. Сумістіть вихідний отвір резервуара для мастила з отвором на кришці, і вставте випускний отвір резервуара для мастила в отвір.
 - ▶ **Рис.39:** 1. Резервуар для мастила 2. Отвір
3. Нанесіть мастило на інструмент (приблизно 5 г).
4. Затягніть болт.

УСУНЕННЯ НЕСПРАВНОСТЕЙ

Перш ніж звертатися з приводу ремонту інструмента, проведіть його перевірку самостійно. У разі виявлення несправності, яку не описано в цьому посібнику, не намагайтеся розібрати інструмент. Натомість зверніться до авторизованих сервісних центрів Makita та використовуйте для ремонту тільки запасні частини виробництва компанії Makita.

Стан відхилення від норми	Можлива причина (несправність)	Спосіб виправлення
Двигун не працює.	Касета з акумулятором не встановлена.	Установіть касету з акумулятором.
	Проблема з акумулятором (знижена напруга)	Зарядіть акумулятор. Якщо заряджання не призвело до бажаного результату, замініть акумулятор.
	Система приводу працює неправильно.	Зверніться до місцевого авторизованого сервісного центру з приводу ремонту.
Двигун перестає працювати після короткочасного використання.	Низький рівень заряду акумулятора.	Зарядіть акумулятор. Якщо заряджання не призвело до бажаного результату, замініть акумулятор.
	Перегрів.	Припиніть використовувати інструмент та дозвольте йому охолонути.
Інструмент не досягає максимальної частоти обертання.	Акумулятор встановлений невірно.	Встановіть касету з акумулятором, як описано в цьому посібнику.
	Заряд акумулятора зменшується.	Зарядіть акумулятор. Якщо заряджання не призвело до бажаного результату, замініть акумулятор.
	Система приводу працює неправильно.	Зверніться до місцевого авторизованого сервісного центру з приводу ремонту.
Леза секатора не рухаються: ⇒ негайно зупиніть інструмент!	Сторонні предмети застрягли між лезами секатора.	1. Натисніть кнопку реверса. 2. Вимкніть живлення інструмента й витягніть касету з акумулятором, після чого видаліть гілки або сміття, наприклад, плоскогубцями.
	Система приводу працює неправильно.	Зверніться до місцевого авторизованого сервісного центру з приводу ремонту.
Аномальна вібрація: ⇒ негайно зупиніть інструмент!	Леза секатора зламані, зігнуті або зношені.	Замініть леза секатора.
	Система приводу працює неправильно.	Зверніться до місцевого авторизованого сервісного центру з приводу ремонту.
Леза секатора й мотор не можуть зупинитися. ⇒ Негайно зніміть акумулятор!	Несправність електричної частини.	Зніміть акумулятор та зверніться до місцевого авторизованого сервісного центру з приводу ремонту.

ДОДАТКОВЕ ПРИЛАДДЯ

⚠ ОБЕРЕЖНО: Це додаткове та допоміжне обладнання рекомендовано використовувати з інструментом Makita, зазначеним у цій інструкції з експлуатації. Використання будь-якого іншого додаткового та допоміжного обладнання може становити небезпеку травмування. Використовуйте додаткове та допоміжне обладнання лише за призначенням.

У разі необхідності отримати допомогу в більш детальному ознайомленні з оснащенням звертайтеся до місцевого сервісного центру Makita.

- Комплект ножового полотна
- Уловлювач скалок
- Резервуар для мастила
- Оригінальний акумулятор та зарядний пристрій Makita

ПРИМІТКА: Деякі елементи списку можуть входити до комплекту інструмента як стандартне приладдя. Вони можуть відрізнятися залежно від країни.

ТЕХНИЧЕСКИЕ ХАРАКТЕРИСТИКИ

Модель:	DUH604S	DUH754S
Длина ножа	600 мм	750 мм
Рабочая частота	2 000 / 3 600 / 4 400 мин ⁻¹	
Общая длина	1 061 мм	1 200 мм
Номинальное напряжение	18 В пост. тока	
Масса нетто	3,4 – 3,9 кг	

- Благодаря нашей постоянно действующей программе исследований и разработок указанные здесь технические характеристики могут быть изменены без предварительного уведомления.
- Технические характеристики могут различаться в зависимости от страны.
- Масса может отличаться в зависимости от дополнительного оборудования. Обратите внимание, что блок аккумулятора также считается дополнительным оборудованием. В таблице представлены комбинации с наибольшим и наименьшим весом в соответствии с процедурой EPTA 01/2014.

Подходящий блок аккумулятора и зарядное устройство

Блок аккумулятора	BL1815N / BL1820 / BL1820B / BL1830 / BL1830B / BL1840 / BL1840B / BL1850 / BL1850B / BL1860B
Зарядное устройство	DC18RC / DC18RD / DC18RE / DC18SD / DC18SE / DC18SF / DC18SH

- В зависимости от региона проживания некоторые блоки аккумуляторов и зарядные устройства, перечисленные выше, могут быть недоступны.

⚠ ОСТОРОЖНО: Используйте только перечисленные выше блоки аккумуляторов и зарядные устройства. Использование других блоков аккумуляторов и зарядных устройств может привести к травме и/или пожару.





Рекомендуемый переходник зарядного устройства

Переходник зарядного устройства	PDC01
---------------------------------	-------

- В некоторых регионах определенные модели переходника зарядного устройства, перечисленные выше, могут быть недоступны.
- Перед использованием переходника зарядного устройства прочтите инструкции и предупреждающие надписи на нем.

Символы

Ниже приведены символы, которые могут использоваться для обозначения оборудования. Перед использованием убедитесь в том, что вы понимаете их значение.

	Прочитайте руководство по эксплуатации.
	Бережь от влаги.
	Берегитесь заземления.
	Надевайте защитные очки.



Ni-MH
Li-Ion

Только для стран ЕС
Не выбрасывайте электрооборудование или аккумуляторы вместе с бытовым мусором!
В соответствии с европейскими директивами об утилизации электрического и электронного оборудования, о батареях и аккумуляторах, а также использованных батареях и аккумуляторах и их применении в соответствии с местными законами электрооборудование, батареи и аккумуляторы, срок эксплуатации которых истек, должны утилизироваться отдельно и передаваться для утилизации на предприятие, соответствующее применяемым правилам охраны окружающей среды.

Назначение

Инструмент предназначен для подрезки живой изгороди.

Шум

Типичный уровень взвешенного звукового давления (А), измеренный в соответствии с EN62841-4-2:

Модель DUN604S

Уровень звукового давления ($L_{p(A)}$): 79,3 дБ (А)

Уровень звуковой мощности ($L_{w(A)}$): 90,3 дБ (А)

Погрешность (К): 3 дБ (А)

Модель DUN754S

Уровень звукового давления ($L_{p(A)}$): 80,6 дБ (А)

Уровень звуковой мощности ($L_{w(A)}$): 91,6 дБ (А)

Погрешность (К): 3 дБ (А)

Уровень шума при выполнении работ может превышать 80 дБ (А).

ПРИМЕЧАНИЕ: Заявленное значение распространения шума измерено в соответствии со стандартной методикой испытаний и может быть использовано для сравнения инструментов.

ПРИМЕЧАНИЕ: Заявленное значение распространения шума можно также использовать для предварительных оценок воздействия.

⚠ ОСТОРОЖНО: Используйте средства защиты слуха.

⚠ ОСТОРОЖНО: Распространение шума во время фактического использования электроинструмента может отличаться от заявленного значения в зависимости от способа применения инструмента и в особенности от типа обрабатываемой детали.

⚠ ОСТОРОЖНО: Обязательно определите меры безопасности для защиты оператора, основанные на оценке воздействия в реальных условиях использования (с учетом всех этапов рабочего цикла, таких как выключение инструмента, работа без нагрузки и включение).

Вибрация

Суммарное значение вибрации (сумма векторов по трем осям), определенное в соответствии с EN62841-4-2:

Модель DUN604S

Распространение вибрации (a_h): 2,5 м/с² или менее

Погрешность (К): 1,5 м/с²

Модель DUN754S

Распространение вибрации (a_h): 2,5 м/с² или менее

Погрешность (К): 1,5 м/с²

ПРИМЕЧАНИЕ: Заявленное общее значение распространения вибрации измерено в соответствии со стандартной методикой испытаний и может быть использовано для сравнения инструментов.

ПРИМЕЧАНИЕ: Заявленное общее значение распространения вибрации можно также использовать для предварительных оценок воздействия.

⚠ ОСТОРОЖНО: Распространение вибрации во время фактического использования электроинструмента может отличаться от заявленного значения в зависимости от способа применения инструмента и в особенности от типа обрабатываемой детали.

⚠ ОСТОРОЖНО: Обязательно определите меры безопасности для защиты оператора, основанные на оценке воздействия в реальных условиях использования (с учетом всех этапов рабочего цикла, таких как выключение инструмента, работа без нагрузки и включение).

Декларация о соответствии ЕС

Только для европейских стран

Декларация о соответствии ЕС включена в руководство по эксплуатации (Приложение А).

МЕРЫ БЕЗОПАСНОСТИ

Общие рекомендации по технике безопасности для электроинструментов

⚠ ОСТОРОЖНО: Ознакомьтесь со всеми представленными инструкциями по технике безопасности, указаниями, иллюстрациями и техническими характеристиками, прилагаемыми к данному электроинструменту. Несоблюдение каких-либо инструкций, указанных ниже, может привести к поражению электрическим током, пожару и/или серьезной травме.

Сохраните брошюру с инструкциями и рекомендациями для дальнейшего использования.

Термин "электроинструмент" в предупреждениях относится ко всему инструменту, работающему от сети (с проводом) или на аккумуляторах (без провода).

Правила техники безопасности при эксплуатации аккумулятора кустореза

1. **Держитесь на безопасном расстоянии от лезвия. Не удаляйте срезанные ветки и не придерживайте ветки, которые собираетесь срезать, когда диски находятся в движении.** После выключения выключателя лезвия продолжают двигаться. Секундная невнимательность при работе с электрическим кусторезом может привести к тяжелой травме.
2. **Переносите электрический кусторез за ручку после полной остановки лезвия и следите за тем, чтобы не нажать выключатель питания.** Переноска электрического кустореза при соблюдении мер безопасности снизит риск непреднамеренного пуска и получения травм от лезвий.

3. При транспортировке или хранении электрического кустореза устанавливайте кожух лезвия. Обращение с электрическим кусторезом при соблюдении мер безопасности снизит риск получения травм от лезвий.
4. При удалении застрявших обрезков или обслуживании инструмента убедитесь в том, что все выключатели питания выключены, аккумуляторный блок извлечен или отсоединен. Неожиданное срабатывание электрического кустореза во время удаления застрявших предметов или обслуживания может привести к тяжелым травмам.
5. Держите электрический кусторез только за специальные изолированные поверхности, поскольку при выполнении работ существует риск контакта режущего диска со скрытой электропроводкой. Контакт лезвий с находящимся под напряжением проводом приведет к тому, что на металлические детали электрического кустореза также будет подано напряжение, что приведет к поражению оператор электрическим током.
6. Держите все шнуры питания и кабели на безопасном расстоянии от места срезания. Труднозаметные в живых изгородях или кустах шнуры или кабели питания можно случайно разрезать лезвием.
7. Не используйте электрический кусторез в неблагоприятных погодных условиях, особенно если существует риск удара молнией. Это снижает риск удара молнией.
6. Перчатки из толстой кожи являются частью необходимого рабочего набора. Обязательно надевайте их при эксплуатации инструмента. Кроме того, обязательно надевайте прочные ботинки с противоскользящими подошвами.
7. Перед началом работы убедитесь в том, что инструмент находится в исправном состоянии. Проверьте наличие и правильность установки соответствующих защитных кожухов. Инструмент можно использовать только в полностью собранном виде.

Эксплуатация

1. Во время работы крепко удерживайте инструмент двумя руками.
2. Инструмент предназначен для использования оператором на уровне земли. Не используйте инструмент на лестницах или любой другой неустойчивой опоре.
3. Во время работы с инструментом не используйте одновременно несколько ремней и / или плечевых ремней.
4. ОПАСНО - Держите руки на расстоянии от режущего диска. Прикосновение к диску может привести к серьезной травме.
5. Не пользуйтесь инструментом во время дождя и в условиях высокой влажности. Электродвигатель не защищен от влаги.
6. Перед началом работы займите устойчивое положение.
7. Не эксплуатируйте инструмент без нагрузки, если в этом нет необходимости.
8. Немедленно выключите инструмент и извлеките блок аккумулятора, если срезающие лезвия заденут ограду или другой твердый предмет. Убедитесь в отсутствии повреждений на лезвиях. Незамедлительно замените лезвия в случае наличия на них повреждений.
9. Перед проверкой срезающих лезвий, устранением неисправностей или удалением застрявшего в срезающих лезвиях материала обязательно выключите инструмент и извлеките блок аккумулятора.
10. Никогда не направляйте лезвия секатора на себя или окружающих.
11. Если во время работы ножи останавливаются вследствие застревания между ними посторонних предметов, отключите инструмент и извлеките блок аккумулятора, после чего удалите посторонние предметы, например, плоскогубцами. Удаление посторонних предметов руками сопряжено с риском травмирования, поскольку при удалении посторонних предметов ножи могут сместиться.
12. Избегайте опасных сред. Не используйте инструмент в местах с повышенной влажностью и под дождем. Попавшая в инструмент вода повышает опасность поражения электрическим током.

Техническое обслуживание и хранение

1. Перед выполнением технического обслуживания выключите инструмент и извлеките блок аккумулятора.

Дополнительные инструкции по технике безопасности

Подготовка

1. Перед началом работ с инструментом проверяйте изгороди и кустарники на наличие посторонних предметов, таких как проволочные ограждения или скрытая электропроводка.
2. Инструментом не должны пользоваться дети или лица, не достигшие возраста 18 лет. Лица старше 16 лет могут не подпадать под действие этого ограничения в случае, если они проходят обучение под надзором специалиста.
3. В случае использования инструмента впервые необходимо, чтобы опытный специалист показал приемы работы с ним.
4. Используйте инструмент только в том случае, если находитесь в хорошем физическом состоянии. Если вы устали, ваше внимание будет ослаблено. Соблюдайте повышенную осторожность в конце рабочего дня. Выполняйте все работы спокойно и аккуратно. Пользователь несет ответственность за ущерб, причиненный третьим лицам.
5. Инструмент запрещается использовать после приема алкоголя, наркотиков или лекарственных препаратов.

2. Переносить инструмент в другое место (в том числе во время работы), обязательно извлекайте блок аккумулятора и устанавливайте кожух лезвия на срезающие лезвия. Запрещено переносить или перевозить инструмент с движущимися лезвиями. Запрещено брать руками за лезвия.
3. Очищайте инструмент и особенно срезающие лезвия после использования, а также перед длительным хранением. Нанесите небольшое количество смазки на лезвия и наденьте кожух лезвия.
4. Храните инструмент с установленным кожухом лезвия в чехле в сухом помещении. Берегите от детей. Запрещается хранить инструмент вне помещения.
5. Не бросайте аккумуляторные блоки в огонь. Они могут взорваться. Уточните местные правила утилизации аккумуляторов.
6. Не вскрывайте и не разбирайте аккумуляторы. Содержащийся в них электролит очень едкий, вы можете повредить глаза или кожу. При проглатывании может привести к отравлению.
7. Не заряжайте аккумулятор под дождем или в местах с повышенной влажностью.
5. Не замыкайте контакты аккумуляторного блока между собой:
 - (1) Не прикасайтесь к контактам какими-либо токопроводящими предметами.
 - (2) Не храните аккумуляторный блок в контейнере вместе с другими металлическими предметами, такими как гвозди, монеты и т. п.
 - (3) Не допускайте попадания на аккумуляторный блок воды или дождя.
 Замыкание контактов аккумуляторного блока между собой может привести к возникновению большого тока, перегреву, возможному ожогу и даже поломке блока.
6. Не храните и не используйте инструмент и аккумуляторный блок в местах, где температура может достигать или превышать 50 °C (122 °F).
7. Не бросайте аккумуляторный блок в огонь, даже если он сильно поврежден или полностью вышел из строя. Аккумуляторный блок может взорваться под действием огня.
8. Запрещено вбивать гвозди в блок аккумулятора, резать, ломать, бросать, ронять блок аккумулятора или ударять его твердым предметом. Это может привести к пожару, перегреву или взрыву.
9. Не используйте поврежденный аккумуляторный блок.

СОХРАНИТЕ ДАННЫЕ ИНСТРУКЦИИ.

⚠ОСТОРОЖНО: НЕ ДОПУСКАЙТЕ, чтобы удобство или опыт эксплуатации данного устройства (полученный от многократного использования) доминировали над строгим соблюдением правил техники безопасности при обращении с этим устройством. **НЕПРАВИЛЬНОЕ ИСПОЛЬЗОВАНИЕ** инструмента или несоблюдение правил техники безопасности, указанных в данном руководстве, может привести к тяжелой травме.

Важные правила техники безопасности для работы с аккумуляторным блоком

1. Перед использованием аккумуляторного блока прочитайте все инструкции и предупреждающие надписи на (1) зарядном устройстве, (2) аккумуляторном блоке и (3) инструменте, работающем от аккумуляторного блока.
2. Не разбирайте блок аккумулятора и не меняйте его конструкцию. Это может привести к пожару, перегреву или взрыву.
3. Если время работы аккумуляторного блока значительно сократилось, немедленно прекратите работу. В противном случае, может возникнуть перегрев блока, что приведет к ожогам и даже к взрыву.
4. В случае попадания электролита в глаза промойте их обильным количеством чистой воды и немедленно обратитесь к врачу. Это может привести к потере зрения.
11. Для утилизации блока аккумулятора извлеките его из инструмента и утилизируйте безопасным способом. Выполняйте требования местного законодательства по утилизации аккумуляторного блока.
12. Используйте аккумуляторы только с продукцией, указанной Makita. Установка аккумуляторов на продукцию, не соответствующую требованиям, может привести к пожару, перегреву, взрыву или утечке электролита.
13. Если инструментом не будут пользоваться в течение длительного периода времени, извлеките аккумулятор из инструмента.
14. Во время и после использования блок аккумулятора может нагреваться, что может стать причиной ожогов или низкотемпературных ожогов. Будьте осторожны при обращении с горячим блоком аккумулятора.

15. Не прикасайтесь к контактам инструмента сразу после использования, поскольку они могут быть достаточно горячими, чтобы вызвать ожоги.
16. Не допускайте, чтобы обломки, пыль или земля прилипали к контактам, отверстиям и пазам на блоке аккумулятора. Это может привести к снижению эксплуатационных параметров, поломке инструмента или блока аккумулятора.
17. Если инструмент не рассчитан на использование вблизи высоковольтных линий электропередач, не используйте блок аккумулятора вблизи высоковольтных линий электропередач. Это может привести к неисправности, поломке инструмента или блока аккумулятора.
18. Храните аккумулятор в недоступном для детей месте.

СОХРАНИТЕ ДАННЫЕ ИНСТРУКЦИИ.

▲ВНИМАНИЕ: Используйте только фирменные аккумуляторные батареи Makita.

Использование аккумуляторных батарей, не произведенных Makita, или батарей, которые были подвергнуты модификациям, может привести к взрыву аккумулятора, пожару, травмам и повреждению имущества. Это также автоматически аннулирует гарантию Makita на инструмент и зарядное устройство Makita.

Советы по обеспечению максимального срока службы аккумулятора

1. Заряжайте блок аккумуляторов перед его полной разрядкой. Обязательно прекратите работу с инструментом и зарядите блок аккумуляторов, если вы заметили снижение мощности инструмента.
2. Никогда не подзаряжайте полностью заряженный блок аккумуляторов. Перезарядка сокращает срок службы аккумулятора.
3. Заряжайте блок аккумуляторов при комнатной температуре в 10 - 40 °C (50 - 104 °F). Перед зарядкой горячего блока аккумуляторов дайте ему остыть.
4. Если блок аккумулятора не используется, извлеките его из инструмента или зарядного устройства.
5. Зарядите ионно-литиевый аккумуляторный блок, если вы не будете пользоваться инструментом длительное время (более шести месяцев).

ОПИСАНИЕ РАБОТЫ

▲ВНИМАНИЕ: Перед регулировкой или проверкой функций инструмента обязательно убедитесь, что он выключен и его аккумуляторный блок снят.

Установка или снятие блока аккумуляторов

▲ВНИМАНИЕ: Обязательно выключайте инструмент перед установкой и извлечением аккумуляторного блока.

▲ВНИМАНИЕ: При установке и извлечении аккумуляторного блока крепко удерживайте инструмент и аккумуляторный блок. Если не соблюдать это требование, они могут выскользнуть из рук, что приведет к повреждению инструмента, аккумуляторного блока и травмированию оператора.

► **Рис.1:** 1. Красный индикатор 2. Кнопка 3. Блок аккумулятора

Для снятия аккумуляторного блока нажмите кнопку на лицевой стороне и извлеките блок.

Для установки блока аккумулятора совместите выступ блока аккумулятора с пазом в корпусе и задвиньте его на место. Устанавливайте блок до упора так, чтобы он зафиксировался на месте с небольшим щелчком. Если вы можете видеть красный индикатор на верхней части клавиши, блок аккумулятора не полностью зафиксирован на месте.

▲ВНИМАНИЕ: Обязательно устанавливайте блок аккумулятора до конца, чтобы красный индикатор не был виден. В противном случае блок аккумулятора может выпасть из инструмента и нанести травму вам или другим людям.

▲ВНИМАНИЕ: Не прилагайте чрезмерных усилий при установке аккумуляторного блока. Если блок не двигается свободно, значит он вставлен неправильно.

Индикация оставшегося заряда аккумулятора

Только для блоков аккумулятора с индикатором

► **Рис.2:** 1. Индикаторы 2. Кнопка проверки

Нажмите кнопку проверки на аккумуляторном блоке для проверки заряда. Индикаторы загорятся на несколько секунд.

Индикаторы			Уровень заряда
			от 75 до 100%
			от 50 до 75%
			от 25 до 50%
			от 0 до 25%
			Зарядите аккумуляторную батарею.
			Возможно, аккумуляторная батарея неисправна.

ПРИМЕЧАНИЕ: В зависимости от условий эксплуатации и температуры окружающего воздуха индикация может незначительно отличаться от фактического значения.

ПРИМЕЧАНИЕ: Первая (дальняя левая) индикаторная лампа будет мигать во время работы защитной системы аккумулятора.

Регулировка скорости

Для регулировки скорости инструмента нажмите кнопку основного питания. При каждом нажатии основной кнопки питания уровень скорости будет меняться.

► **Рис. 3:** 1. Индикатор рабочей частоты 2. Кнопка основного питания

Индикатор	Режим	Скорость хода
	Высокая	4 400 мин ⁻¹
	Средняя	3 600 мин ⁻¹
	Низкая	2 000 мин ⁻¹

Система защиты инструмента/аккумулятора

На инструменте предусмотрена система защиты инструмента/аккумулятора. Она автоматически отключает питание двигателя для продления срока службы инструмента и аккумулятора. Инструмент автоматически остановится во время работы в следующих случаях:

Состояние	Индикаторы		
Перегрузка			
Перегрев			
Чрезмерная разрядка			

Защита от перегрузки

В случае перегрузки инструмента из-за скопившихся веток или мусора индикаторы 2 и 3 начнут мигать, а инструмент автоматически остановится.

В этом случае выключите инструмент и прекратите работу, повлекшую перегрузку инструмента. Затем включите инструмент для перезапуска.

ПРИМЕЧАНИЕ: В зависимости от условий эксплуатации инструмент может автоматически отключаться без включения каких-либо индикаторов при перегрузке из-за накопившихся веток или мусора. В этом случае следует отключить питание инструмента и извлечь блок аккумулятора, после чего удалить накопившиеся ветки или мусор, например, с помощью плоскогубцев. После удаления веток или мусора установите блок аккумулятора на место и включите инструмент.

Защита инструмента или аккумулятора от перегрева

Существует два типа перегрева: перегрев инструмента и перегрев аккумулятора. При перегреве инструмента все индикаторы скорости начнут мигать. При перегреве аккумулятора мигает индикатор 1. В случае перегрева прибор автоматически останавливается. Дайте инструменту и/или аккумулятору остыть перед возобновлением работы.

Защита от переразрядки

При истощении заряда аккумулятора инструмент автоматически останавливается, и мигает индикатор 1. Если устройство не работает даже после нажатия переключателей, извлеките из инструмента аккумулятор и зарядите его.

Действие выключателя питания

⚠ОСТОРОЖНО: В целях безопасности инструмент оснащен рычагом, который предотвращает случайное включение инструмента. **ЗАПРЕЩЕНО** использовать инструмент, если он включается без нажатия рычага (т. е. просто после нажатия триггерных переключателей). **ПРЕКРАТИТЕ** использование инструмента и передайте его в авторизованный сервисный центр для надлежащего ремонта.

⚠ОСТОРОЖНО: **ЗАПРЕЩЕНО** фиксировать рычаг липкой лентой и вносить изменения в его конструкцию.

⚠ОСТОРОЖНО: Перед установкой блока аккумулятора в инструмент обязательно убедитесь в том, что триггерные переключатели и рычаг нормально работают и возвращаются в положение OFF (ВЫКЛ.) после отпущания. Эксплуатация инструмента с неисправным переключателем может привести к потере контроля над инструментом и тяжелым травмам.

⚠ВНИМАНИЕ: Не кладите палец на триггерные переключатели во время переноски. Инструмент может случайно включиться и причинить травму.

ПРИМЕЧАНИЕ: Не давите сильно на триггерный переключатель, не нажав на рычаг. Это может привести к поломке переключателя.

Для включения инструмента нажмите основную кнопку питания. При включении инструмента загорается индикатор питания. Для выключения инструмента нажмите и удерживайте кнопку основного питания. При выключении инструмента индикатор гаснет.

► **Рис.4:** 1. Индикатор питания 2. Кнопка основного питания

ПРИМЕЧАНИЕ: Инструмент автоматически отключается, если он не используется в течение некоторого времени.

Для предотвращения случайного нажатия триггерного переключателя инструмент оборудован рычагом. Для запуска инструмента нажмите передний триггерный переключатель, а затем потяните задний триггерный переключатель, одновременно нажимая рычаг. При отпущании любого из триггерных переключателей инструмент останавливается.

► **Рис.5:** 1. Рычаг 2. Задний триггерный переключатель 3. Передний триггерный переключатель

Кнопка реверса для удаления мусора

⚠ОСТОРОЖНО: Если скопившиеся ветки или мусор нельзя удалить с помощью функции реверса, отключите инструмент и отсоедините блок аккумулятора, после чего удалите накопившиеся ветки или мусор, например, с помощью плоскогубцев. Если не отключить инструмент и не отсоединить блок аккумулятора, это может привести к тяжелой травме из-за случайного включения инструмента. Удаление накопившихся веток или мусора руками может привести к травме, поскольку лезвия секатора могут сместиться при удалении веток.

Этот инструмент оснащен кнопкой реверса для изменения направления движения лезвий секатора. Эта функция предназначена только для удаления накопившихся в инструменте веток и мусора. Чтобы изменить направление движения срезающих лезвий, нажмите кнопку реверса после остановки срезающих лезвий, нажмите передний триггерный переключатель, затем нажмите задний триггерный переключатель, одновременно нажимая рычаг. Индикатор питания начинает мигать, а срезающие лезвия начинают двигаться в обратном направлении.

После удаления накопившихся веток и мусора направление вращения лезвий инструмента снова меняется на обычное, а индикатор питания прекращает мигать и загорается.

► **Рис.6:** 1. Индикатор питания 2. Кнопка реверса

ПРИМЕЧАНИЕ: Если накопившиеся ветки или мусор не удается удалить, отпустите триггерные переключатели, нажмите кнопку реверса и потяните триггерный переключатель до полного удаления веток или мусора.

ПРИМЕЧАНИЕ: Если нажать кнопку реверса во время движения лезвий секатора, инструмент останавливается для изменения направления движения лезвий.

СБОРКА

⚠ВНИМАНИЕ: Перед проведением каких-либо работ с инструментом обязательно убедитесь, что инструмент отключен, а блок аккумулятора снят.

⚠ВНИМАНИЕ: При замене лезвий секатора обязательно надевайте перчатки, чтобы не касаться лезвий руками.

ПРИМЕЧАНИЕ: При замене режущих ножей не удаляйте смазочный материал с редуктора или кривошипа.

Установка или снятие лезвий секатора

⚠ ВНИМАНИЕ: Установите чехол лезвия перед тем, как снимать или устанавливать режущие ножи.

На инструмент можно установить срезающие лезвия длиной 600 мм или 750 мм.

ПРИМЕЧАНИЕ: В случае замены срезающих лезвий лезвиями другой длины замените сборник обрезков, подобрав его в соответствии с лезвиями.

1. Удалите четыре винта (для DUH604S) или пять винтов (для DUH754S), а затем снимите сборник обрезков с инструмента.

► **Рис.7:** 1. Сборник обрезков 2. Винт

2. Положите инструмент в перевернутом положении и открутите шесть болтов.

► **Рис.8:** 1. Болт

3. Снимите кожух и пластину.

► **Рис.9:** 1. Кожух 2. Пластина

ПРИМЕЧАНИЕ: Пластину можно оставить на крышке.

4. Снимите стержень и подшипник.

► **Рис.10:** 1. Стержень 2. Подшипник

ПРИМЕЧАНИЕ: Стержень или подшипник можно оставить на крышке.

5. Удалите три винта, три муфты и войлочную подкладку и извлеките срезающие лезвия.

► **Рис.11:** 1. Винт 2. Муфта 3. Войлочная подкладка 4. Лезвия секатора

ПРИМЕЧАНИЕ: Не потеряйте винты.

6. Удалите кожух лезвия, после чего наденьте его на новые срезающие лезвия.

► **Рис.12**

7. Отрегулируйте кривошип таким образом, чтобы два отверстия были расположены на линии выравнивания.

► **Рис.13:** 1. Отверстие 2. Линия совмещения

8. Совместите выступы на лезвиях секатора, чтобы они находились на одном уровне по вертикали.

► **Рис.14:** 1. Выступ

9. Вставьте винт, удаленный на шаге 5, в отверстие на срезающих лезвиях, чтобы временно закрепить срезающие лезвия, а затем прикрепите войлочную подкладку к срезающим лезвиям.

► **Рис.15:** 1. Винт 2. Войлочная подкладка 3. Отверстие

10. Вставьте выступ на срезающих лезвиях в отверстие на стержне и выровняйте положение войлочной подкладки относительно отверстий на инструменте. Присоедините две новые муфты.

► **Рис.16:** 1. Войлочная подкладка 2. Выступ 3. Отверстие 4. Муфта

ПРИМЕЧАНИЕ: Нанесите небольшое количество смазки на внутреннюю поверхность отверстия стержня.

ПРИМЕЧАНИЕ: Не потеряйте муфты.

11. Совместите отверстия на муфте и срезающих лезвиях с отверстиями на инструменте и затяните два винта для временной фиксации срезающих лезвий.

► **Рис.17:** 1. Винт

12. Прикрепите новую муфту.

► **Рис.18:** 1. Муфта

13. Удалите винт, вставленный в отверстие на срезающих лезвиях на шаге 9, и затяните винт вместе с муфтой, чтобы закрепить срезающие лезвия.

► **Рис.19:** 1. Винт

14. Плотно затяните винты, временно зафиксированные на шаге 11.

15. Прикрепите подшипник и стержень.

► **Рис.20:** 1. Стержень 2. Малое отверстие 3. Подшипник

ПРИМЕЧАНИЕ: Нанесите небольшое количество смазки на внутреннюю поверхность малого отверстия стержня.

ПРИМЕЧАНИЕ: Убедитесь в том, что выступ на лезвиях секатора входит в малое отверстие на стержне.

16. Прикрепите пластину.

► **Рис.21:** 1. Выступ 2. Пластина

ПРИМЕЧАНИЕ: Убедитесь в том, что выступ на лезвиях секатора входит в отверстие на пластине.

17. Присоедините кожух и затяните шесть болтов.

► **Рис.22:** 1. Болт 2. Кожух

18. Прикрепите к инструменту сборник обрезков, затянув четыре винта (для DUH604S) или пять винтов (для DUH754S).

► **Рис.23:** 1. Сборник обрезков 2. Винт

ПРИМЕЧАНИЕ: Если движению лезвий секатора что-то препятствует, это означает, что они не сцеплены со стержнями надлежащим образом. В этом случае установите лезвия секатора заново.

ПРИМЕЧАНИЕ: Если какие-либо детали инструмента (кроме лезвий секатора) изношены, обратитесь в авторизованный сервисный центр Makita для их замены или ремонта.

Установка или удаление сборника обрезков

⚠ ВНИМАНИЕ: При установке или снятии сборника обрезков всегда надевайте перчатки, чтобы не касаться лезвий руками.

Срезанные листья попадают в сборник обрезков, что облегчает уборку после проведения работ.

Чтобы удалить сборник обрезков, удалите четыре винта (для DUH604S) или пять винтов (для DUH754S) и снимите сборник обрезков с инструмента. Для установки сборника обрезков выполните процедуру снятия в обратном порядке.

► **Рис.24:** 1. Сборник обрезков 2. Винт

ЭКСПЛУАТАЦИЯ

▲ ОСТОРОЖНО: Держите руки на расстоянии от лезвий секатора.

▲ ВНИМАНИЕ: По возможности не используйте инструмент в жаркую погоду. При работе с инструментом учитывайте свое физическое состояние.

▲ ВНИМАНИЕ: Соблюдайте осторожность, чтобы во время работы случайно не задеть металлическую ограду или другие твердые предметы. Лезвия секатора могут сломаться или нанести серьезную травму.

▲ ВНИМАНИЕ: Соблюдайте осторожность, чтобы не допустить соприкосновения режущих ножей с землей. Инструмент может причинить серьезную травму из-за отдачи.

▲ ВНИМАНИЕ: Не пытайтесь дотянуться инструментом до отдаленных веток, особенно с лестницы. Это очень опасно. Во время работы не стойте на шатких или неустойчивых предметах.

ПРИМЕЧАНИЕ: Не пытайтесь с помощью этого инструмента резать ветки толще 10 мм в диаметре. Перед использованием данного инструмента с помощью веткорезов обрежьте ветки до высоты на 10 см ниже, чем высота срезания.

► **Рис.25:** (1) Высота срезания (2) 10 см

ПРИМЕЧАНИЕ: Не срезайте сухие деревья или аналогичные твердые объекты. Невыполнение этого требования может привести к повреждению инструмента.

ПРИМЕЧАНИЕ: Не подрезайте траву или сорняки лезвиями секатора. Лезвия секатора могут запутаться в траве или сорняках.

Правой рукой удерживайте переднюю ручку, а левой – заднюю ручку. Нажмите передний триггерный переключатель, затем задний триггерный переключатель, одновременно нажимая рычаг, и переместите инструмент вперед.

► **Рис.26**

Для работы в обычном режиме наклоните лезвия секатора в направлении резания, плавно и медленно перемещайте инструмент в направлении резания со скоростью один метр за 3 – 4 секунды.

► **Рис.27**

Чтобы ровно обрезать верхнюю часть изгороди, протяните веревку на нужной высоте и выполняйте обрезку по ней.

► **Рис.28**

Срезанные листья попадают в сборник обрезков, что облегчает уборку после проведения работ.

► **Рис.29**

Чтобы ровно обрезать боковую часть живой изгороди, рекомендуется резать снизу вверх.

► **Рис.30**

Если вы хотите при стрижке придать объекту (например, кусту самшита, рододендрону и т. п.) шарообразную форму, выполняйте стрижку снизу вверх, начиная с основания. Так вам будет легче добиться желаемого результата.

► **Рис.31**

ОБСЛУЖИВАНИЕ

▲ ВНИМАНИЕ: Перед проведением проверки или работ по техобслуживанию всегда проверяйте, что инструмент выключен, а блок аккумулятора снят.

Для обеспечения БЕЗОПАСНОСТИ и НАДЕЖНОСТИ оборудования ремонт, любое другое техобслуживание или регулировку необходимо производить в уполномоченных сервис-центрах Makita или сервис-центрах предприятия с использованием только сменных частей производства Makita.

Очистка инструмента

При выполнении очистки инструмента требуется вытирать пыль сухой либо смоченной мыльной водой и выжатой тканью.

ПРИМЕЧАНИЕ: Запрещается использовать бензин, растворители, спирт и другие подобные жидкости. Это может привести к обезцвечиванию, деформации и трещинам.

Техническое обслуживание лезвия секатора

Перед началом или после каждого часа эксплуатации наносите смазочный материал низкой вязкости (машинное масло или смазочное масло в виде спрея) на лезвия секатора.

► **Рис.32**

После завершения работ необходимо проволочной щеткой очистить срезающие лезвия от пыли, протереть их тканью, а затем нанести смазочный материал низкой вязкости (машинное масло или смазочное масло в виде спрея) на срезающие лезвия.

► **Рис.33**

ПРИМЕЧАНИЕ: Не промывайте лезвия секатора водой. Это может привести к повреждению инструмента или появлению на нем ржавчины.

ПРИМЕЧАНИЕ: Грязь и коррозия приводят к чрезмерному трению лезвия и уменьшают срок работы от одного заряда аккумулятора.

Хранение

Отверстие в нижней части инструмента служит для подвешивания на гвоздь или шуруп в стене. Снимите блок аккумулятора с инструмента и установите кожух лезвия на срезающие лезвия, чтобы защитить их от внешних воздействий. Храните инструмент в недоступном для детей месте. Храните инструмент в месте, где он будет защищен от попадания воды или дождя.

► **Рис.34:** 1. Отверстие

Заточка лезвий секатора

ПРИМЕЧАНИЕ: Если лезвия секатора были сильно деформированы при заточке, замените их новыми.

1. Установите блок аккумулятора на инструмент.
2. Включите и запустите инструмент, чтобы верхнее и нижнее лезвия располагались вразбегку.
► **Рис.35**
3. Отключите инструмент и извлеките из него блок аккумулятора.
4. Держа напильник под углом 45° и двигая им в трех направлениях, заточите верхнее лезвие.
► **Рис.36:** (1) Напильник (2) 45°

ВНИМАНИЕ: Перед заточкой лезвий убедитесь в том, что инструмент выключен и блок аккумулятора извлечен из инструмента.

5. Переверните инструмент и удалите заусенцы со срезающих лезвий шлифовальным камнем.
► **Рис.37:** 1. Шлифовальный камень

6. Держа напильник под углом 45° и двигая им в трех направлениях, заточите нижнее лезвие.

7. Верните инструмент в нормальное положение и удалите заусенцы со срезающих лезвий шлифовальным камнем.

Смазывание консистентной смазкой

Интервал смазывания: каждые 100 часов работы

1. Удалите болт из отверстия для смазывания.

► **Рис.38:** 1. Болт

2. Удалите крышку с резервуара для смазки. Совместите выходное отверстие резервуара для смазки с отверстием на крышке, а затем вставьте выпускное отверстие резервуара для смазки в отверстие.

► **Рис.39:** 1. Резервуар для смазки 2. Отверстие

3. Нанесите смазку на инструмент (приблизительно 5 г).

4. Затяните болт.

ПОИСК И УСТРАНЕНИЕ НЕИСПРАВНОСТЕЙ

Прежде чем обращаться по поводу ремонта, проведите осмотр самостоятельно. Если обнаружена неисправность, не указанная в руководстве, не пытайтесь разобрать инструмент. Обратитесь в один из авторизованных сервисных центров Makita, в которых для ремонта всегда используются оригинальные детали Makita.

Состояние неисправности	Возможная причина (неисправности)	Способ устранения
Не работает электромотор.	Не вставлен блок аккумулятора.	Установите блок аккумулятора.
	Неисправен аккумулятор (под напряжением)	Зарядите аккумулятор. Если перезарядка не помогает, замените аккумулятор.
	Привод работает неправильно.	Обратитесь в местный авторизованный центр для ремонта.
После непродолжительного использования двигатель останавливается.	Низкий уровень заряда аккумулятора.	Зарядите аккумулятор. Если перезарядка не помогает, замените аккумулятор.
	Перегрев.	Прекратите работу и дайте инструменту остыть.
Инструмент не достигает максимальной частоты вращения.	Неправильно установлен аккумулятор.	Вставьте блок аккумулятора, как описано в этом руководстве.
	Заряд аккумулятора падает.	Зарядите аккумулятор. Если перезарядка не помогает, замените аккумулятор.
	Привод работает неправильно.	Обратитесь в местный авторизованный центр для ремонта.
Срезающие лезвия не двигаются: ⇒ немедленно выключите машину!	Посторонние предметы застряли между срезающими лезвиями.	1. Нажмите кнопку реверса. 2. Выключите инструмент и извлеките блок аккумулятора, а затем удалите посторонние предметы подходящими инструментами, например плоскогубцами.
	Привод работает неправильно.	Обратитесь в местный авторизованный центр для ремонта.
Сильная вибрация: ⇒ немедленно выключите машину!	Срезающие лезвия сломаны, согнуты или изношены.	Замените срезающие лезвия.
	Привод работает неправильно.	Обратитесь в местный авторизованный центр для ремонта.
Срезающие лезвия и двигатель не останавливаются. ⇒ Немедленно извлеките аккумулятор!	Неисправность электрической части.	Извлеките аккумулятор и обратитесь в местный авторизованный сервисный центр для ремонта.

ДОПОЛНИТЕЛЬНЫЕ ПРИНАДЛЕЖНОСТИ

⚠ВНИМАНИЕ: Данные принадлежности или приспособления рекомендуются для использования с инструментом Makita, указанным в настоящем руководстве. Использование других принадлежностей или приспособлений может привести к получению травмы. Используйте принадлежность или приспособление только по указанному назначению.

Если вам необходимо содействие в получении дополнительной информации по этим принадлежностям, свяжитесь с вашим сервис-центром Makita.

- Лезвие в сборе
- Сборник обрезков
- Резервуар для смазки
- Оригинальный аккумулятор и зарядное устройство Makita

ПРИМЕЧАНИЕ: Некоторые элементы списка могут входить в комплект инструмента в качестве стандартных приспособлений. Они могут отличаться в зависимости от страны.

Makita Europe N.V. Jan-Baptist Vinkstraat 2,
3070 Kortenberg, Belgium

Makita Corporation 3-11-8, Sumiyoshi-cho,
Anjo, Aichi 446-8502 Japan

www.makita.com

885758A961
EN, SL, SQ, BG,
HR, MK, SR, RO,
UK, RU
20200629